



STAUFF Clamps



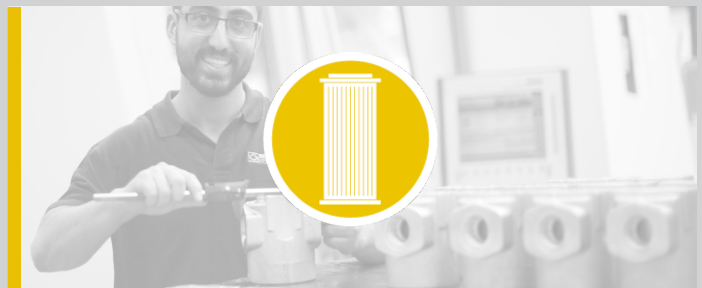
STAUFF Valves



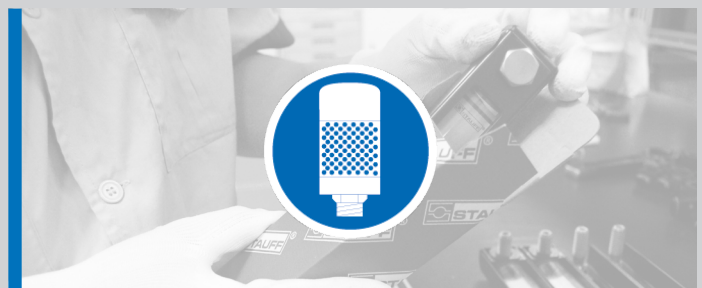
STAUFF Diagtronics



STAUFF Filtration



STAUFF Hydraulic Accessories



STAUFF North America

United States

STAUFF Corporation - *New Jersey*

7 Wm. Demarest Place
Waldwick, NJ
07463-1542

Canada

STAUFF Canada Ltd.

866 Millner Ave
Scarborough, Ontario
M1B 5N7

STAUFF Corporation - *Michigan*

42650 Executive Drive
Canton, MI
48188

Tel.: 201-444-7800

Fax: 201-444-7852

E-Mail: sales@stauffusa.com

www.stauffusa.com

Tel.: 416-282-4608

Fax: 416-282-3039

E-Mail: sales@stauffcanada.com

www.stauffcanada.com

Please note: Unless otherwise stated, all data and figures in this product catalog are approximate values and are only valid as references, which are not binding (also in respect to any third parties' rights of protection) and thus do not release the customer / user from checking and testing the suitability of the products for the foreseen purposes. Therefore, data and figures can only be used in a limited sense for construction purposes.

The application of the products is beyond the control possibilities of the manufacturer and, therefore, is exclusively subject to the responsibility of the customer / user.

In the event that a liability is nevertheless considered, any compensation will be limited to the value of the goods supplied by the manufacturer and used by the customer / user. As a matter of course, the manufacturer guarantees the perfect quality of all products in accordance with the General Terms and Conditions of Business and Sale.

Subject to modifications due to the ongoing development and improvement of the products.

With the publication of this product catalog, previous editions are no longer valid.

Introduction
1 - 9
Clamps
10 - 15


Slim-Line Hygienic Hanger

HHS

11


 Hygienic Hanger Heavy Series
Top Mount

HHH T

12


 Hygienic Hanger Heavy Series
Bottom Mount

HHH B

13



Mounting Rods

HR

14 - 15

Valves
16 - 33


Two-Piece Hex Body Ball Valve

BV9L

17



Two-Piece Brass Body Valve

BV4L

18 - 19



Ball Valve Adapters - Port Adapters

LPVA

20 - 21



Two-Way Stainless Steel Valve

BV9L

22


 Two-Piece Three-Way Stainless Steel
Valve

BV7L

23


 Medium-Duty Throttle / Shut-Off Valve
(In-Line Assembly)

NVH

24


 Medium-Duty Flow Control Valve
(In-Line Assembly)

FCH

25


 Medium-Pressure Brass Throttle / Shut-
Off Valve
(In-Line Assembly)

NVM

26


 Medium-Pressure Brass Flow Control
(In-Line Assembly)

FCM

27



System Service Bleed Valve

SSBV

28



High-Pressure Round Body Ball Valve

BV-2-ISO

29 - 30



Tank Mount Ball Valve - Aluminum

TKH

31 - 32



Additional Accessories / Options

33

Diagtronics

34 - 46

	Pressure Test Kit (Analog)	SMB	35
	Pressure Test Kit (Digital)	SMB-DIGI/-W	36
	Oil Sampling Kit and Oil Check Analysis Kit	KIT-SFS & BOTTLE-SFS	37
	Flowtell Inline Flow Meter	SFF	38
	Temperature Switch	STW	39
	Pressure Switch	SPW-...-NC/NO	40
	Pressure Switch	SPW-SD	41
	Pressure Transmitter	SPT	42 - 44
	Flow Indicator	SDM	45 - 46

Filtration















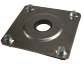




47 - 61

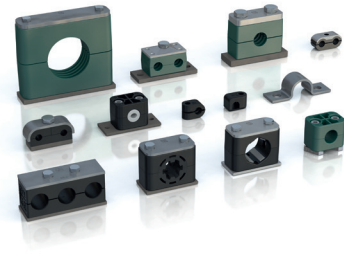
	Return Line Filter	RTF-30	48 - 49
	Pressure Filter	SIF-48	50 - 52
	Return Line Filter	RIF-300	53 - 55
	Return Line Filter	RIF-48	56 - 58
	Portable Filter Cart	SPFC	59 - 60
	Compact Portable Filter Cart	SCFC	61

Hydraulic Accessories

62 - 77

	Metal Sight Glasses	SLW	63
---	---------------------	-----	----

	Plastic Sight Glasses	OLG	63
	Giant Air Breather (Synthetic Fiber Media)	SGB	64
	Giant Air Breather (Cellulose Media)	SGB	65
	Threaded Breather Adapter (Steel)	TBA	66
	Breather Adapter with Filter Port (Aluminum)	BA-6	67
	Threaded Breather Adapter (Aluminum)	DBA-75	67
	Bayonet Breather Adapter (Aluminum)	BA-1	68
	Bayonet Breather Adapter (Aluminum)	BA-2	68
	Bayonet Breather Adapter (Aluminum)	BA-3	68
	SAE Half Coupling Weld Adapter	SWF	69
	Suction Strainer (NPT Tank Mounted)	TMF	70
	Suction Strainer (SAE O-Ring Tank Mounted)	TMF	71
	Suction Strainer (Hose Barb Tank Mounted)	TMF	72
	Weld Flange	WC	73
	Suction Flange	SUF	74
	Return Line Bushing	SRF	75
	Reservoir End Cover	EC	76
	Baffle Adapters for Reservoir End Covers	EC	77
	Baffle Adapters for Reservoir End Covers	EC	77



STAUFF Clamps
Fastening systems for pipes, tubes, hoses, cables and other industrial components

Product Catalogue

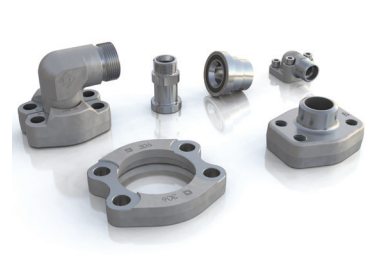
Version
10/2025



STAUFF Connect
Metric tube connectors, assembly tools and accessories

Product Catalogue

Version
10/2025



STAUFF Flanges
High-pressure flange connectors and gear pump flanges

Product Catalogue

Version
10/2025

Catalog 1 STAUFF Clamps

- Block Clamps
- Special Clamps
- Light Series Clamps
- Saddle Clamps
- U-Bolt Clamps
- Metal Clamps
- Construction Clamps

Catalog 2 STAUFF Connect

- Tube Connectors
- Assembly Tools and Devices

Catalog 3 STAUFF Flanges

- SAE Flanges
- Gear Pump Flanges



STAUFF Hose Connectors
Hose inserts and swage ferrules for all common hose types in hydraulics

Product Catalogue

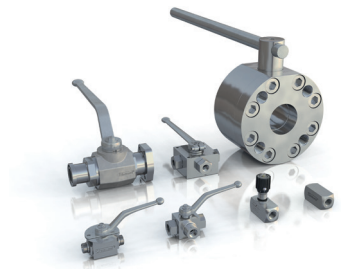
Version
10/2025



STAUFF Quick Release Couplings
Push-to-connect and screw-to-connect couplings for connecting and disconnecting fluid media

Product Catalogue

Version
10/2025



STAUFF Valves
Ball valves and flow control valves for shutting off and throttling fluid media

Product Catalogue

Version
10/2025

Catalog 4 STAUFF Hose Connectors

- Hose Connectors
- High-Pressure Hose Connectors

Catalog 5 STAUFF Quick Release Couplings

- Push-to-Connect Couplings
- Multi Couplings
- Screw-to-Connect Couplings

Catalog 6 STAUFF Valves

- Two-Way Ball Valves
- Multi-Way Ball Valves
- Flow Control and Check Valves
- Gauge Isolator Valves



STAUFF Test
Test couplings, test hoses and accessories for pressure monitoring and more

Product Catalogue

Version 10/2025

Catalog 7 STAUFF Test

- Test Couplings
- Test Adapters
- Test Hoses and Connectors



STAUFF Diagtronics
Devices for determining and monitoring the key parameters in hydraulics

Product Catalogue

Version 10/2025

Catalog 8 STAUFF Diagtronics

- Pressure Gauges
- Hydraulic Testers
- Oil Analysis Equipment



STAUFF Filtration Technology
Filter housings and replacement filter elements for hydraulics

Product Catalogue

Version 10/2025

Catalog 9 STAUFF Filtration Technology

- Replacement Filter Elements
- Pressure Filters
- Return-Line Filters
- In-Line Filters
- Spin-On Filters
- Offline and Bypass Filters
- Filtration Systems



STAUFF Hydraulic Accessories
Components for the construction of power units and reservoirs in hydraulics

Product Catalogue

Version 10/2025

Catalog 10 STAUFF Hydraulic Accessories

- Fluid Level and Temperature Indicators
- Tank Filler Breathers
- Particle and Desiccant Breathers
- Suction Strainers
- Diffusers

For more than 50 years, the companies of STAUFF Group have been developing, manufacturing, and distributing pipework equipment and hydraulic components for mechanical and plant engineering and for service and industrial maintenance.

In addition to mobile and industrial hydraulic machinery, typical applications also include commercial and special purpose vehicles, rail transportation, and energy technology. Likewise, STAUFF products are used in marine, oil and gas applications and in the process, food and chemical industries.

The overall range currently includes about 50,000 standard products as well as numerous special and system solutions according to customer's specifications or based on our in-house development.

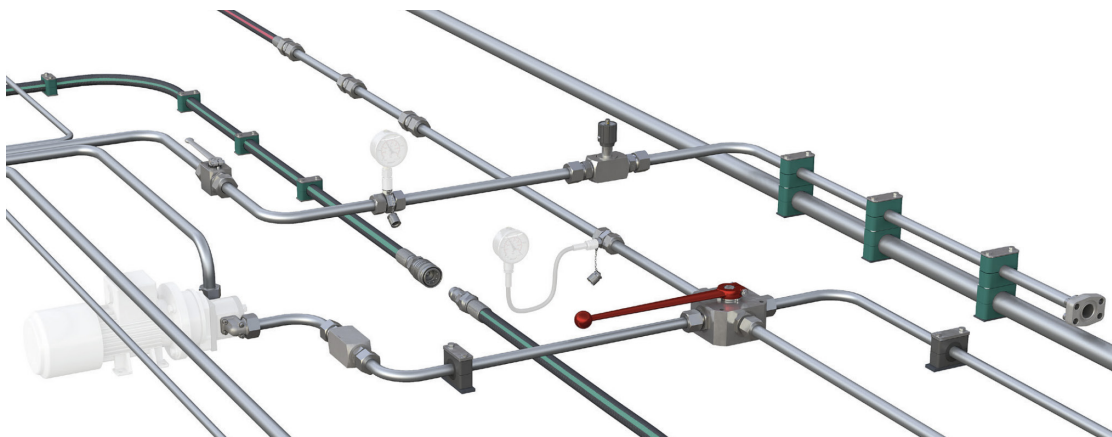
All STAUFF products undergo relevant testing in accordance with international regulations and are governed by the high standards of the in-house quality management system. Furthermore, many items have received certifications and approvals from various international institutes, organizations and authorities who have independently confirmed the quality and performance of the products.

Wholly-owned manufacturing, sales, and service facilities in 18 countries and a tight global network of authorized distribution partners ensure high presence and service paired with a maximum of availability.



Quality Management - ISO 9001:2015
Environmental Management - ISO 14001:2015
Safety Management - ISO 45001: 2018
Energy Management - ISO 50001: 2018

STAUFF Line Components



With the seven dedicated **STAUFF Line** product groups

- STAUFF Clamps
- STAUFF Connect
- STAUFF Flanges
- STAUFF Hose Connectors
- STAUFF Quick Release Couplings
- STAUFF Valves
- STAUFF Test

from own, in-house development and manufacturing, the companies of the STAUFF Group provide a comprehensive range of components for fastening and connecting pipes, tubes, and hoses for mobile and industrial hydraulic applications and many other industries.

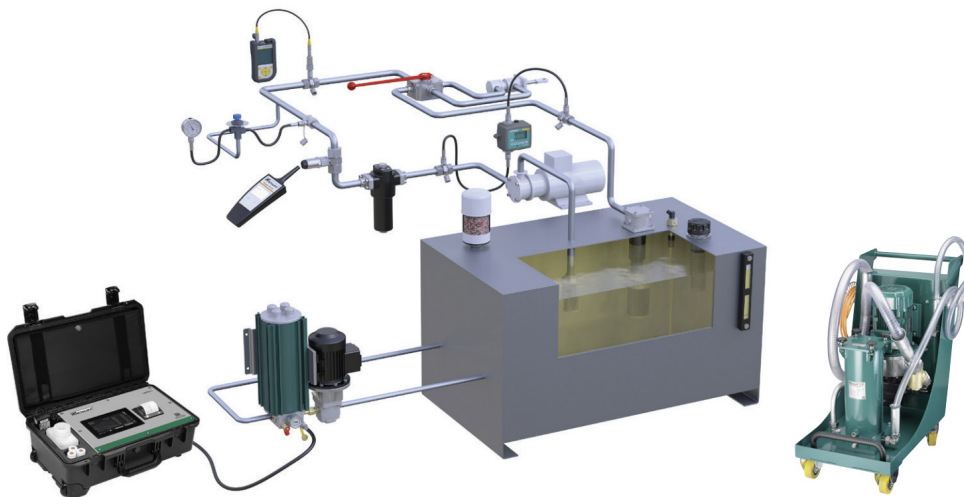
The portfolio is completed by components for shutting-off, regulating, throttling, and measuring fluid media.

In order to perfectly match each other, STAUFF Line products are designed and offered on a high, uniform level of quality. A large proportion of the range made from steel comes as standard with the premium STAUFF Zinc/Nickel Surface Coating, which is also optionally available for many of the other components.

This coating offers most reliable surface protection far beyond the previous market standards - even after transport, handling and assembly of the components - and meets all current legal requirements.

If desired, Original Equipment Manufacturers can be supported with value-added services, from **technical consultation** to **pre-assembly, assembly and kitting** as well as **logistics services**:

- Support with the **selection of suitable standard components** and ordering options; provisions of **customized solutions** according to customer's specifications or based on our in-house development - from prototyping to large scale production.
- **Analysis and optimization** of existing and design and developments of new systems aimed at increasing the efficiency and performance of machines and equipment and creating value for customers by reducing the total cost
- **Pre-assembly, assembly, and kitting** of individual components to customer-specific system modules
- Individually coordinated **procurement solutions** (e.g. web shop and electronic data interchange) and **supply models** (e.g. from warehousing of customized components to Kanban logistics and just-in-time delivery of pre-fabricated system modules to the assembly lines the customers) aimed at optimizing material flows



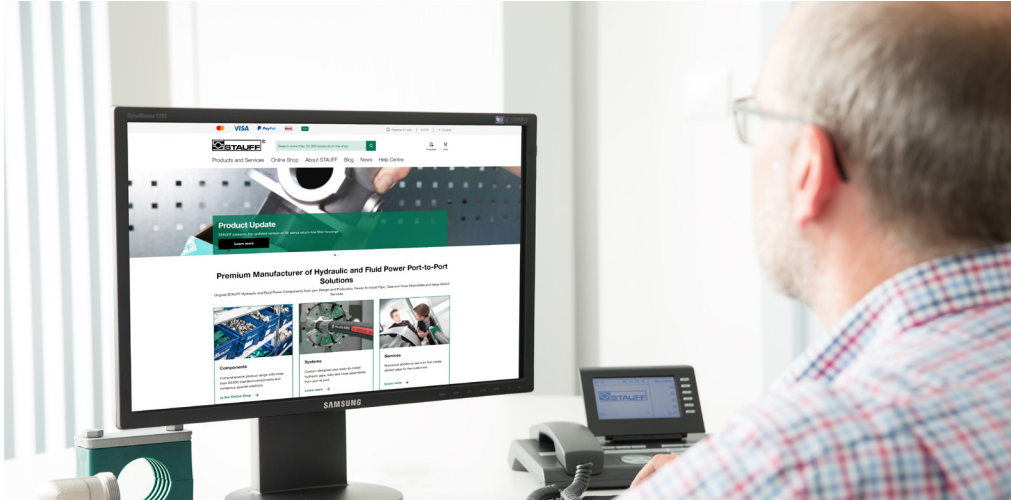
Aligned with the needs of the market, the product groups

- STAUFF Test
- STAUFF Diagtronics
- STAUFF Filtration Technology
- STAUFF Hydraulic Accessories

include a comprehensive range of analogue and digital measuring equipment and devices, filtration systems and replacement filter elements as well as accessories for the construction of tanks, reservoirs, power packs and gear boxes in mobile and industrial hydraulics.

The offer is completed by relevant value-added services:

- Support with the **selection of suitable components** and ordering options; provision of **customized solutions** according to customer's specifications or based on our in-house development - from prototyping to large scale production
- Analysis of existing hydraulic circuits aimed at filtration systems, tank components and monitoring devices that perfectly match to the specific requirements, and developing integrated concepts to increase the efficiency and performance of machines and equipment
- Individually coordinated **procurement solutions** and **supply models**



www.stauffusa.com

With the STAUFF Digital Platform available at www.stauffusa.com, commercial customers and users of STAUFF products can not only inform themselves in all detail about 50,000 components typically available from stock, but also directly purchase these online without complex registration.

Main Functionalities of the STAUFF Digital Platform:



Around the Clock

Check stock availability and pricing for STAUFF products in real time



Cross References

Search by article designations of other manufacturers / suppliers



Live Chat

Get directly in touch with the STAUFF customer service and sales team



CAD Database

Download 3D models and 2D drawings for STAUFF products

Advantages as a Registered User of the STAUFF Digital Platform:



Purchase STAUFF Products

Taking customer-specific pricing and delivery conditions into account



Ordering without Searching

Quick ordering by entering article number, quantity, and requested delivery date



File Upload

Direct upload of orders with multiple positions in CSV or Excel file format



Notepad Function

Create project lists to save interesting products for later

Online CAD Database

Immediate access to and free download of 3D models and 2D drawings for a growing number of STAUFF products

www.filterinterchange.com

Online database for the quick and easy identification and interchange of almost all common brands and types of replacement filter elements

Follow STAUFF North America and keep yourself updated:



LinkedIn

www.linkedin.com/company/stauff-corporation



Facebook

STAUFF USA



Instagram

www.instagram.com/stauff_na/

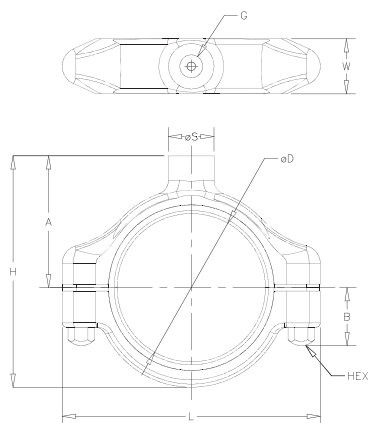


STAUFF Newsletter

Automatic e-mail notifications about latest news from STAUFF North America
www.stauffusa.com/en/news/newsletter



Slim-Line Hygienic Hanger • Type HHS BPE Compliant for Use in Clean Work Areas



Characteristics

Cleanable design with rounded geometry to minimize areas where contamination can collect or be trapped. High temperature resistance for use with steam service. STAUFF patented design accommodates slope alignment for drain-ability.

Features

- Captive fasteners keep bolts in housing
- Less components for quick assembly
- Slim design housing fits within 1" of insulation wrap

Specifications

Temperature

- Maximum 400° F / 204° C continuous

Size Range

- 0.25 inch to 6.62 inch / 6mm to 168mm for tube, pipe, copper tube, ISO and DIN

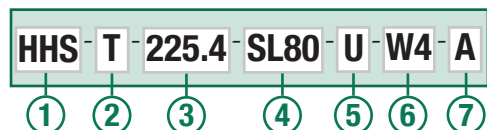
Housing Material

- Polished 304 Stainless Steel (Casting grade CF8)

Insert

- FDA compliant high temperature compatible material
Anchor - one piece blue silicone. Allows for slope alignment and vibration dampening.
Guide - two piece off-white insert. Allows free axial movement for thermal expansion.

Order Code



1 Housing Design
Hygienic Hanger Slim-Line Series **HHS**

2 Mounting Design
Threaded Top Mount Design **T**

3 Group Size
Size Range (inches/mm)

0.25...0.88 / 6...22	1
1...1.38 / 25...35	2
1.5...2.13 / 38...54	3
2.38...2.88 / 60...73	3L
3...3.50 / 76...89	4
4...4.50 / 101...115	5
6...6.62 / 152...168	6

4 Insert Diameter (∅D in mm)
See chart to the right

5 Insert Design
Anchor, Silicone, 80 Shore A **SL80**
Guide, PTFE **TF**
Guide has a larger diameter which allows pipe or tube free movement axially through hanger for thermal expansion

6 Mounting Thread
UNC Threads **U**

7 Housing Material
CF8, casting equivalent to 304 stainless steel **W4**

8 Packaging
Loosely assembled, poly-bagged and labeled **A**

Dimensions

STAUFF Group Number	Tube (∅d)	Copper Tube	Pipe (IPS)	Part Number Code (Anchor ∅d in mm)	Dimensions for Slim Line Type HHS (inches/mm)										
					Guide ∅d in mm	A	B	H	L	W	S	Hex	G	Wt (lbs g)	
1	1/4"			06.4	n/a	1.03	0.60	1.68	2.02	0.63	0.62	5/16"	3/8" - 16 UNC	0.2	
	3/8"	1/4"		09.5	n/a										
	1/2"	3/8"		12.7	13.7										
	1			1/4"	13.7	14.7	26.2	15.2	42.7	51.3	16.0	15.7	0.8	91	
		5/8"	1/2"		15.9	16.9									
				3/8"	17.3	18.3									
		3/4"			19	20.0									
			1/2"	21.3	22.3										
7/8"		3/4"		22.2	n/a										
2	1"			25.4	26.4	1.37	0.81	2.27	2.52	0.63	0.62	5/16"	3/8" - 16 UNC	0.28	
			3/4"	26.7	27.7										
		1"		28.6	29.6										
	1.1/4"			31.8	n/a										
			1"	33.5	34.5										
3			1.1/4"	34.9	n/a	34.8	20.6	57.7	64.0	16.0	15.7	0.8	127		
	1.1/2"			38.1	39.1										
		1.1/2"		41.3	42.2										
			1.1/4"	42.2	n/a										
			1.1/2"	48.3	49.3										
3L	2"			50.8	51.8	45.6	20.1	80.1	89.4	19.0	15.7	0.8	318		
			2"	54	55.3										
			2"	60.5	61.8										
	2.5"			63.5	64.8										
3L			2.5"	66.7	n/a	65.9	28.5	116	127	22.4	19	9.5	635		
			2.5"	73.2	74.5										
			2"	60.5	n/a										
4	2.5"			63.5	n/a	2.81	1.46	4.94	5.25	0.88	0.75	3/8"	1/2" - 13 UNC	1.4	
			2.5"	66.7	n/a										
			2.5"	73.2	n/a										
	3"			76.2	77.5										
			3"	79.4	n/a										
			3"	88.9	90.2										
5	4"			101.6	102.9	3.67	1.59	6.54	6.75	1.00	0.74	3/8"	1/2" - 13 UNC	2.4	
			4"	104.8	n/a										
			4"	114.3	115.6										
6	6"			152.4	153.7	5.06	2.18	9.17	9.00	1.25	1.00	7/16"	3/4" - 10 UNC	4.6	
			6"	168.4	169.7										
			6"	168.4	169.7	128	55.4	233	228.6	31.8	25.4	11.1	2087		

Hygienic Hanger Heavy Series, Top Mount • Type HHH T BPE Compliant for Use in Clean Work Areas

Characteristics

Superior clean-ability, slope alignment, vibration dampening, and thermal capabilities. Mounting rods not included, see information on page 14.

Features

- Patented Rounded geometry, the top mounting style allows water and debris to drain or fall off hanger. Designed to be suspended from above, there are no flat shelf like surfaces facing upward. The silicone insert minimizes potential for trapping contaminants offering the cleanest design hanger. Allows installers to slope tube at desired drain angle without additional adjustments or having to angle the hanger housing.

Specifications

Temperature

- Maximum 400°F / 204°C continuous

Size Range

- Bore diameter 0.25 inch to 6.62 inch / 6mm to 168mm for tube, copper tube, pipe, ISO, and DIN

Housing Material

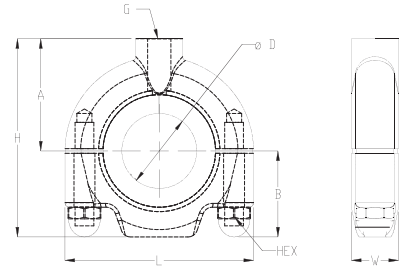
- Polished 316 Stainless Steel (Casting grade equivalent CF8M)

FDA compliant materials:

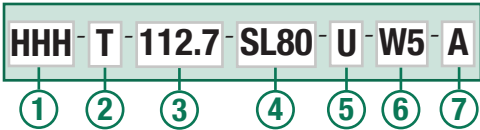
- Anchor- is one piece blue silicone
- Guide- White PTFE or two piece insert. Allows free axial movement of pipe and tube for thermal expansion

Mounting Options

- Mounting rods available, see page 14



Order Code



- 1** **Housing Design**
Hygienic Hanger Heavy Series **HHH**
- 2** **Mounting Design**
Threaded Top Mount Design **T**
- 3** **Group Size**
Size Range (inches/mm)
0.25...0.78 / 6.4...22.2 **1**
1...1.375 / 25.4...34.9 **2**
1.5...2.12 / 38.1...54 **3**
2.38...3.50 / 60.5...88.9 **4**
4...4.50 / 101.6...114.3 **5**
6...6.62 / 152...168 **6**
- 4** **Insert Diameter (ØD in mm)**
See chart to the right
- 5** **Insert Design**
Anchor, Silicone, 80 Shore A **SL80**
Guide, PTFE **TF**
Guide has a larger diameter which allows pipe or tube free movement axially through hanger for thermal expansion
- 6** **Mounting Thread**
UNC Threads **U**
- 7** **Housing Material**
CF8M, casting equivalent to 316 stainless steel **W5**
- 8** **Packaging**
Loosely assembled, poly-bagged and labeled **A**

Dimensions

STAUFF Group Number	Tube (Ød)	Copper Tube	Pipe (IPS)	Part Number Code (Anchor Ød in mm)	Dimensions for Slim Line Type HHS (inches/mm)								Wt (lbs g)					
					Guide Ød in mm	A	B	H	L	W	Hex	G						
1	1/4"			06.4	n/a	1.25	0.94	2.22	2.02	0.63	7/16"	3/8" - 16 UNC	0.32					
	3/8"	1/4"		09.5	n/a													
	1/2"	3/8"		12.7	13.7													
			1/4"	13.7	14.7													
	5/8"	1/2"		15.9	16.9								31.7	23.9	56.4	51.3	16.0	145
	3/4"			19	20.0													
			1/2"	21.3	22.3													
	7/8"	3/4"		22.2	n/a	1.5	1.15	2.72	2.52	0.63	7/16"	3/8" - 16 UNC	0.44					
2	1"		25.4	26.4														
		3/4"	26.7	27.7														
	1"		28.6	29.6														
	1.1/4"		31.8	n/a														
		1"	33.5	34.5														
		1.1/4"	34.9	n/a														
3	1.1/2"			38.1	39.1	1.88	1.62	3.5	3.62	0.75	9/16"	3.8" - 16 UNC	0.95					
		1.1/2"		41.3	42.2													
			1.1/4"	42.2	n/a													
			1.1/2"	48.3	49.3													
		2"		50.8	51.8													
4			2"	54	55.3	47.8	41.2	88.9	92.0	19.1	9/16"	1/2" - 13 UNC	430					
			2"	60.5	n/a													
		2.5"		63.5	n/a													
		2.5"		66.7	n/a													
			2.5"	73.2	n/a													
		3"		76.2	77.													
				79.4	n/a													
		3"		88.9	90.2													
5	4"			101.6	102.9	3.50	3.12	6.62	6.75	1.00	5/8"	5/8" - 11 UNC	3.35					
		4"		104.8	n/a													
			4"	114.3	115.6													
6	6"			152.4	153.7	4.5	4.38	8.88	9.00	1.25	3/4"	3/4" - 10 UNC	7.41					
		6"		168.4	169.7													

Hygienic Hanger Heavy Series, Bottom Mount • Type HHH B

BPE Compliant for Use in Clean Work Areas

Characteristics

Mounting rods not included, see information on page 14.

Features

- Patented Rounded geometry, the bottom mounting style allows water and debris to drain or fall off hanger. Designed to be mounted above a structure and to stand off a vertical structure or wall. The half moon shaped top eliminates flat shelf like surfaces facing upward. The silicone insert minimizes potential for trapping contaminants offering the cleanest design hanger. Allow installers to slope tube at desired drain angle without additional adjustments or having to angle the hanger housing.

Specifications

Temperature

- Maximum 400°F / 204°C continuous

Size Range

- Bore diameter 0.25 inch to 6.62 inch / 6mm to 168mm for tube, copper tube, pipe, ISO, and DIN

Housing Material

- Polished 316 Stainless Steel (Casting grade equivalent CF8M)

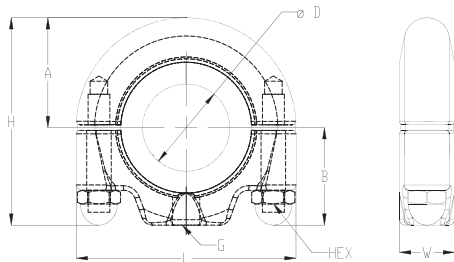
FDA compliant materials:

Anchor- is one piece blue silicone

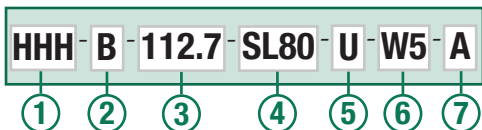
Guide- White PTFE or Off-White Polyamide two piece insert. Allows free axial movement of pipe and tube for thermal expansion

Mounting Options

- Mounting rods available, see page 14.



Order Code



1 Housing Design
Hygienic Hanger Heavy Series **HHH**

2 Mounting Design
Threaded Bottom Mount Design **B**

3 Group Size
Size Range (inches/mm)

0.25...0.78 / 6.4...22.2	1
1...1.375 / 25.4...34.9	2
1.5...2.12 / 38.1...54	3
2.38...3.50 / 60.5...88.9	4
4...4.50 / 101.6...114.3	5
6...6.62 / 152...168	6

4 Insert Diameter (ØD in mm)
See chart to the right

5 Insert Design
Anchor, Silicone, 80 Shore A **SL80**
Guide, PTFE **TF**
Guide has a larger diameter which allows pipe or tube free movement axially through hanger for thermal expansion

6 Mounting Thread
UNC Threads **U**

7 Housing Material
CF8M, casting equivalent to 316 stainless steel **W5**

8 Packaging
Loosely assembled, poly-bagged and labeled **A**

Dimensions

STAUFF Group Number	Tube (Ød)	Copper Tube	Pipe (IPS)	Part Number Code (Anchor Ød in mm)	Dimensions for Slim Line Type HHS (inches/mm)									
					Guide Ød in mm	A	B	H	L	W	Hex	G	Wt (lbs g)	
1	1/4"			06.4	n/a	1.01	0.94	1.98	2.02	0.63	7/16"	3/8" - 16 UNC	0.31	
	3/8"	1/4"		09.5	n/a									
	1/2"	3/8"		12.7	13.7									
			1/4"	13.7	14.7									
	5/8"	1/2"		15.9	16.9									
	3/4"			19	20.0									
2			1/2"	21.3	22.3	25.6	23.9	50.3	51.3	16.0	7/16"	3/8" - 16 UNC	140	
	7/8"	3/4"		22.2	n/a									
	1"			25.4	26.4									
			3/4"	26.7	27.7									
		1"		28.6	29.6									
	1.1/4"			31.8	n/a									
3			1"	33.5	34.5	32.0	29.2	63.0	64.0	16.0	9/16"	3/8" - 16 UNC	200	
				34.9	n/a									
	1.1/2"			38.1	39.1									
		1.1/2"		41.3	42.2									
			1.1/4"	42.2	n/a									
			1.1/2"	48.3	49.3									
4	2"			50.8	51.8	46.0	41.2	87.1	92.0	19.1	9/16"	3/8" - 16 UNC	440	
				54	55.3									
			2"	60.5	n/a									
		2.5"		63.5	n/a									
				66.7	n/a									
			2.5"	73.2	n/a									
5				76.2	77.5	66.8	62.0	128.8	133.4	22.4	9/16"	1/2" - 13 UNC	900	
				79.4	n/a									
		3"		88.9	90.2									
				101.6	102.9									
		4"		104.8	n/a									
			4"	114.3	115.6									
6	6"			152.4	153.7	114.3	111.3	225.6	228.6	31.8	3/4"	3/4" - 10 UNC	7.36	
			6"	168.4	169.7									

Mounting Rods • Type HR
Features

- Threads into rounded hygienic hangers type HHH and HHS. Solid rod provides sturdy, cost effective mounting to weld hanger to support structure. Machined threads bury into hanger housing.

Specifications

- 3/8" to 1" outside diameter with various rod lengths and thread sizes.
- Available in 304L and 316L Stainless Steel.
- Refer to Rod thread size chart below to match the correct hanger group size with rod threads.



Order Code	Rod Thread Size	Rod Diameter	Rod Length	Thread Type	Material	For Use With
HR-3-1/2-06-U-W5	3/8"-16	1/2"	6"	UNC	316 Stainless Steel	HHH or HHS 1-3
HR-3-3/8-06-W5	3/8"-16	3/8"	6"	UNC	316 Stainless Steel	HHH or HHS 1-3
HR-3-3/8-12-W5	3/8"-16	3/8"	12"	UNC	316 Stainless Steel	HHH or HHS 1-3
HR-3-5/8-06-U-W4	3/8"-16	5/8"	6"	UNC	304 Stainless Steel	HHH or HHS 1-3
HR-5S-1/2-06-W5	1/2"-13	1/2"	6"	UNC	316 Stainless Steel	HHS 3L-5, HHH 4
HR-5S-3/4-06-W4	1/2"-13	3/4"	6"	UNC	304 Stainless Steel	HHS 3L-5, HHH 4
HR-5H-5/8-06-W5	5/8"-11	5/8"	6"	UNC	316 Stainless Steel	HHH 5

STAUFF Hangers Bore Diameter Chart


Silicone Blue Anchor

PTFE White Insert

Mechanical Properties		
	Silicone Blue Anchor	PTFE White Insert
Compressive Strength	80 Shore A	50 Shore D
Flexural Modules	70 MPa	600 MPa
Tensile	8.4 MPa	27 MPa

Thermal Properties		
	Silicone Blue Anchor	PTFE White Insert
Maximum Brief	-65° to +700° F	-328° to +590° F
	-54° to +371° C	-200° to +310° C
Maximum Continuous	-60° to +400° F	-328° to +572° F
	-51° to +204° C	-200° to +300° C

Chemical Properties	
Weak Acids, Solvents	Conditionally consistent
Benzene, Mineral Oils	Conditionally consistent
Alcohol, Other Oils	Consistent

STAUFF Hangers Bore Diameter Chart

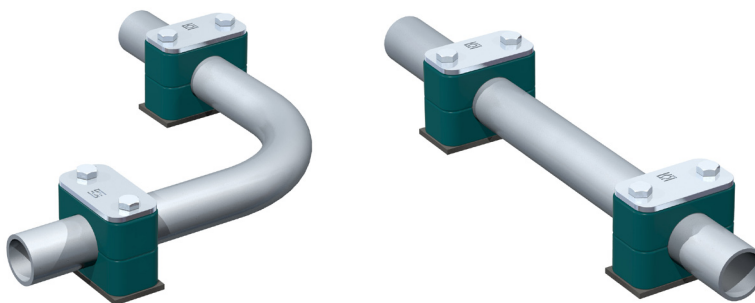
Size (in/mm)	Tube (O.D) (in/mm)	Copper Tube O.D (in/mm)	Pipe O.D (in/mm)
1/4	.25	.375	.54
8	6,4	9,5	13,7
3/8	.375	.5	.68
10	9,5	12,7	17,3
1/2	.5	.625	.84
15	12,7	15,9	21,3
3/4	.75	.875	1.05
20	19,1	22,2	26,7
1	1	1.125	1.32
25	25,4	28,6	33,5
1-1/4	1.25	1.375	1.66
32	31,8	34,9	42,2
1-1/2	1.5	1.625	1.9
40	38,1	41,3	48,3
2	2	2.125	2.38
50	50,8	54,0	60,5
2-1/2	2.5	2.625	2.88
65	63,5	66,7	73,2
3	3	3.125	3.5
80	76,2	79,4	88,9
4	4	4.125	4.5
100	101,6	104,8	114,3
6	6	6.125	6.63
150	152,4	155,6	168,4

STAUFF part numbers indicate the bore diameter of the hanger in mm using a comma (,) as a decimal place.

Hanger Location and Spacing Recommendations

Recommended Maximum Spacing between Hangers

Sanitary Tube		Pipe		Copper Tube	
(in/mm)	Spacing (ft/m)	Pipe Size	Spacing (ft/mm)	Inch	Spacing (ft/mm)
1/4 - 3/4	6	1/4 - 3/4	6	3/8 - 3/4	6
6 - 19	1,8		1,8		1,8
1 - 1.1/2	8	1 - 1.1/4	8	1 - 1.1/4	8
25 - 38	2,4		2,4		2,4
2 - 3	10	1.1/2 - 2	10	1.1/2 - 3	10
50 - 76	3		3		3
4 - 6	12	3 - 4	12	4 - 8	12
100 - 150	3,6		3,6		3,6
		6 - 12	16		
			4,8		



Installation Next to Pipe Bends, Connectors, Valves and Concentrated Loads

Pipe Bends

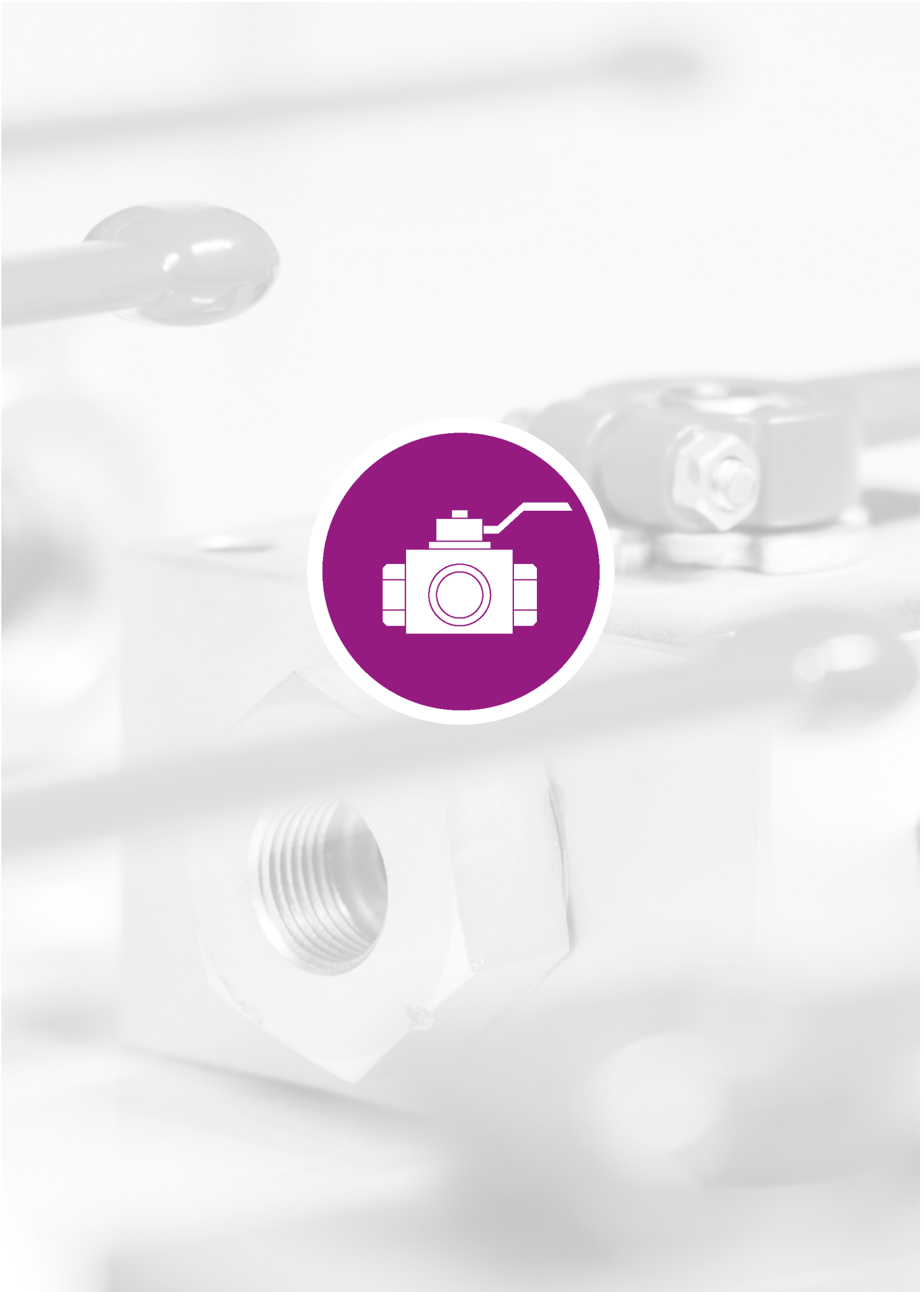
Pipe bends should be supported by STAUFF hangers as close to the bends as possible. It is recommended to design these supports as fixed points.

Connections / Couplings

The first STAUFF support should be placed directly next to the connector or coupling. This protects the coupling from vibration.

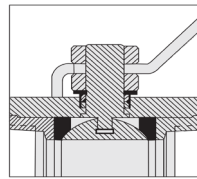
Valves or Concentrated Loads

If valves or other concentrated loads are present in the pipeline, it is recommended that supports be installed on either side and as close as possible to prevent deflection of pipe.

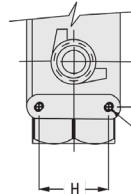


Two-Piece Hex Body Ball Valve • Type BV9L

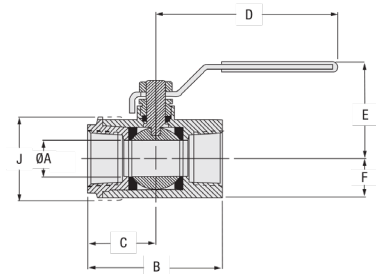
Formerly known as 2BVM



Stem Details for STAUFF Sizes 08 to 20



2x Thread 250-20 UNC
Depth: 7,1 (.28)
(only for STAUFF Sizes 20, 24 and 32)



Characteristics

Two-way medium pressure ball valves designed for use as an on/off device for hydraulic applications.

Features

- Two-piece hex bar stock construction
- Body made of Carbon Steel, black phosphate-coated
- Ball made of Carbon Steel, chrome-plated
- Female NPT Connection

Options

- Locking devices

Media Compatibility

- Suitable for hydraulic fluids

Please consult STAUFF before using with other media.

Materials

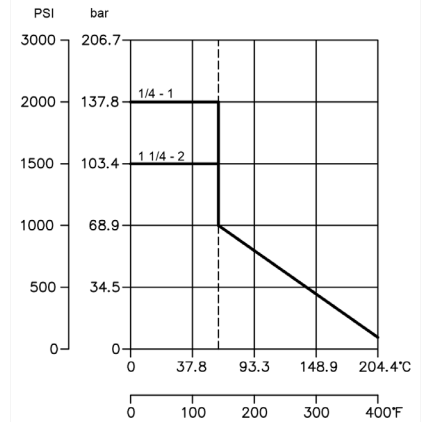
- Body: Carbon Steel, black phosphate-coated
- Stem: Carbon Steel, nickel-plated
- Ball: Carbon Steel, chrome-plated
- Seals: Reinforced Teflon® (PTFE)
- Ball Seats: Reinforced Teflon® (PTFE)
- Handle: Carbon Steel, zinc plated, vinyl grip

Technical Data

- Operation Pressure:
For STAUFF Sizes 04 to 16: 138 bar / 2000 PSI (cold, non-shock)
For STAUFF Sizes 20 to 32: 103 bar / 1500 PSI (cold, non-shock)
- Operating temperature range:
-7°C...+82°C / +20°F...+180°F*

Please see the pressure/temperature rating chart for details.

Pressure and Temperature Ratings



Order Code

BV9L - 2 - N 12 - P 0 7 2 - Y - LD

- ① ② ③ ④ ⑤ ⑥ ⑦ ⑧ ⑨ ⑩

① Type Two-Piece Hex-Body Valve BV9L	④ Connection Size STAUFF Size 04 06 08 12 16 20R 24R 32R Please consult STAUFF for alternative connection sizes.	⑧ Stem Seal Material Teflon®, (PTFE) 2
② Number of Ports Two Ports (Two Way Ball Valve) 2	⑤ Body Material Carbon Steel, Black phosphate-coated P	⑨ Manufacturing Code Manufacturing code for all connection styles Y
③ Connection Style Female NPT Thread (ANSI B1.20.1) N Please consult STAUFF for alternative connection styles.	⑥ Ball/ Stem Material Ball: Carbon Steel, chrome-plated 0 Stem: Carbon Steel, nickel-plated	⑩ Accessories/Options Supplied without Accessories - Supplied with Locking Device LD
	⑦ Ball Seat Material Teflon® Glass Fiber Reinforced 7	

Dimensions and Order Codes

STAUFF Size	Thread Size	Dimensions (mm/in)										Flow Factor Cv	Weight (kg/lbs)	Order Codes (Standard Option)
		ØA	B	C	D	E	F	G	H	J				
04	1/4 NPT	10	51	25	96	41	13					6	0,60	BV9L-2-N04-P072-Y
		0.39	2.01	0.98	3.78	1.61	0.51							
06	3/8 NPT	10	51	25	96	41	13					12	0,60	BV9L-2-N06-P072-Y
		0.39	2.01	0.98	3.78	1.61	0.51							
08	1/2 NPT	14	60	28	96	44	16					15	0,80	BV9L-2-N08-P072-Y
		0.55	2.36	1.10	3.78	1.73	0.63							
12	3/4 NPT	17	74	36	130	53	21					23	1,40	BV9L-2-N12-P072-Y
		0.67	2.91	1.42	5.12	2.09	0.83							
16	1 NPT	22	87	42	130	58	25					36	2,40	BV9L-2-N16-P072-Y
		0.87	3.43	1.65	5.12	2.28	0.98							
20*	1-1/4 NPT	25	100	51	155	70	29	24	38			44	2,70	BV9L-2-N20R-P072-Y
		0.98	3.94	2.01	6.10	2.76	1.14	0.94	1.50					
24*	1-1/2 NPT	32	118	60	155	76	34	24	38	70		64	6,50	BV9L-2-N24R-P072-Y
		1.26	4.65	2.36	6.10	2.99	1.34	0.94	1.50	2.76				
32*	2 NPT	38	127	65	218	90	39	26	51			114	6,10	BV9L-2-N32R-P072-Y
		1.50	5.00	2.56	8.58	3.54	1.54	1.02	2.01					

* Reduced Bore

Two-Piece Brass Body Valve • Type BV4L

Formally known as 2BVL


Characteristics

Two-way low pressure ball valves designed for use as an on/off device for hydraulic applications.

Features

- Forged/cast construction with blow-out proof stem
- Body and ball made of Brass
- Female NPT or SAE connections
(modified BSPP O-ring port for sizes 40, 48, and 64)

Options

- Locking devices
- Limit switches
- Actuator packages

Media Compatibility

- Suitable for hydraulic fluids

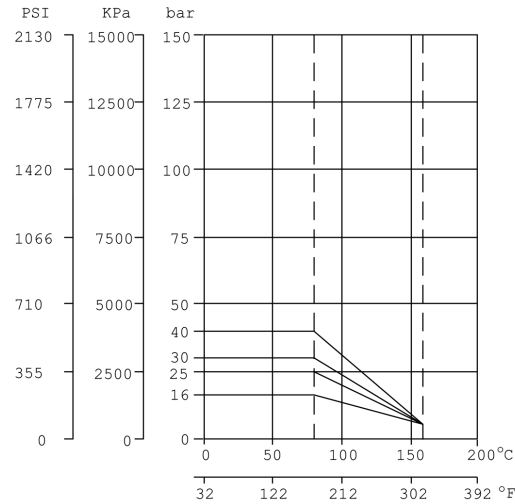
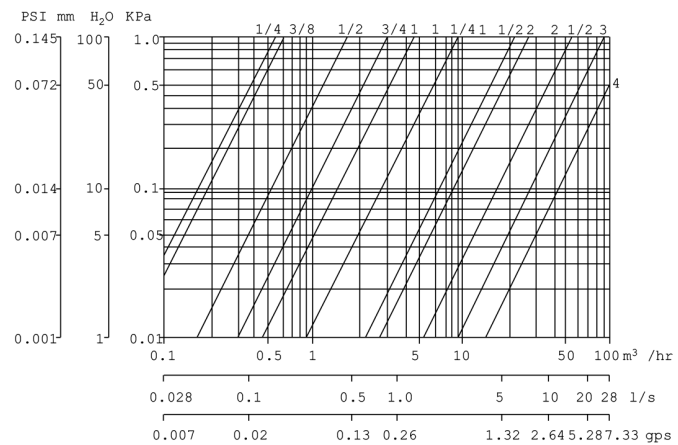
Please consult STAUFF before using with other media.

Materials

- Body: Forged Brass for Sizes 04 to 24
Cast Brass for Sizes 32 to 64
- Stem: Brass
- Ball: Brass, Chrome Plated
- Seals: Reinforced Teflon® (PTFE)
- Ball Seats: Reinforced Teflon® (PTFE)
- Handle: Carbon Steel, Zinc Plated, Vinyl Grip

Technical Data

- Operation Pressure:
For STAUFF Sizes 04 to 06: 40 bar / 600 PSI
For STAUFF Sizes 08 to 16: 30 bar / 435 PSI
For STAUFF Sizes 20 to 64: 25 bar / 362 PSI
- Operating temperature range up to +160°C / +366°F

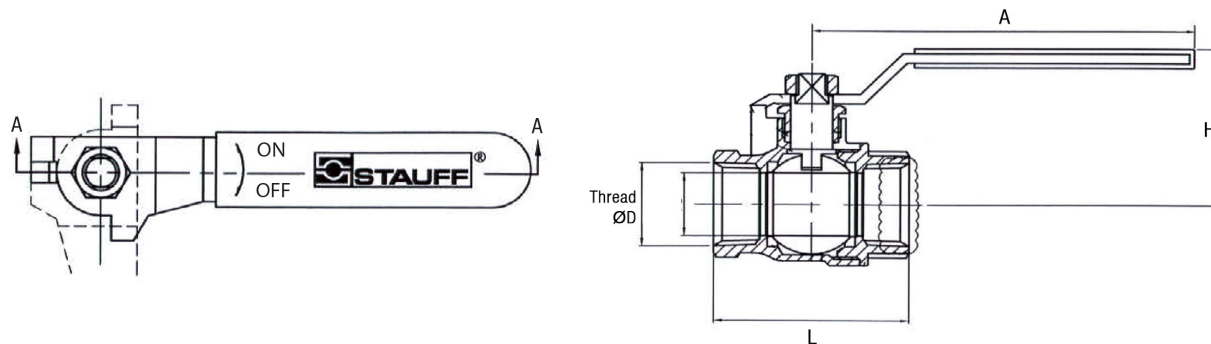
Pressure/Temperature Rating

Pressure Drop Flow Curves

Order Code
BV4L - 2 - N 12 - 9 2 4 2 - F - LD

- ①
- ②
- ③
- ④
- ⑤
- ⑥
- ⑦
- ⑧
- ⑨
- ⑩

<p>① Type Two-Piece Brass Body Valve BV4L</p> <p>② Number of Ports Two Ports (Two Way Ball Valve) 2</p> <p>③ Connection Style Female NPT Thread (ANSI B1.20.1) N Female UN/UNF Thread (SAE J 514) U Modified Female BSPP Thread (DIN ISO 228) (For connection sizes 40, 48, and 64 only) GOR Please consult STAUFF for alternative connection styles.</p>	<p>④ Connection Size STAUFF Size 04 06 08 12 16 20 24 32 40 48 64 Please consult STAUFF for alternative connection sizes.</p> <p>⑤ Body Material Brass 9</p> <p>⑥ Ball/ Stem Material Ball: Brass, chrome-plated 2 Stem: Brass</p> <p>⑦ Ball Seat Material Teflon® (PTFE) 4</p>	<p>⑧ Stem Seal Material Teflon®, (PTFE) 2</p> <p>⑨ Manufacturing Code Manufacturing code for all connection styles F For STAUFF Sizes N64 and GOR64 Q</p> <p>⑩ Accessories/Options Supplied with Locking Device LD Supplied with Limit Switch S0 Supplied with Locking Device and Limit Switch LD-S0</p>
---	--	---

Two-Piece Brass Body Valve • Type BV4L

Formally known as 2BVL



Dimensions and Order Code

STAUFF Size	Thread Size	Dimensions (mm/in)				Flow Factor Cv	Max. Working Pressure (bar/PSI)	Weight (kg/lbs)	Order Codes (NPT + SAE Version)
		ØD	L	A	H				
04	1/4 NPT	10	46	84	44,5	6	40	0,13	BV4L-2-N04-9242-F
		.39	1.81	3.31	1.75		600	.30	
06	3/8 NPT	10	46	84	44,5	7	40	0,13	BV4L-2-N06-9242-F
		.39	1.81	3.31	1.75		600	.28	
08	1/2 NPT 1/2" SAE (3/4-16 UNF)	12,7	55	84	48	19	30	0,19	BV4L-2-N08-9242-F BV4L-2-U08-9242-F
		.50	2.17	3.31	1.88		435	.41	
12	3/4 NPT 3/4" SAE (1-1/16-12 UN)	20	64	84	58	34	30	0,30	BV4L-2-N12-9242-F BV4L-2-U12-9242-F
		.78	2.52	3.31	2.28		435	.67	
16	1 NPT 1" SAE (1-5/16-12 UN)	25	76	118	62	50	30	0,50	BV4L-2-N16-9242-F BV4L-2-U16-9242-F
		.98	2.99	4.65	2.44		435	1.09	
20	1-1/4 NPT 1-1/4" SAE (1-5/8-12 UN)	32	87	118	78	104	30	0,90	BV4L-2-N20-9242-F BV4L-2-U20-9242-F
		1.25	3.43	4.65	3.07		435	2.01	
24	1-1/2 NPT 1-1/2" SAE (1-7/8-12 UN)	38	93	134	85	268	25	1,40	BV4L-2-N24-9242-F BV4L-2-U24-9242-F
		1.50	3.66	5.28	3.34		362	3.08	
32	2 NPT 2" SAE (2-1/2-12 UN)	50	110	134	96,5	309	25	1,90	BV4L-2-N32-9242-F BV4L-2-U32-9242-F
		1.96	4.33	5.28	3.79		362	4.18	
40	2-1/2 NPT 2-1/2-11 BSPP *	63	131	200	127,5	629	25	3,60	BV4L-2-N40-9242-F BV4L-2-GOR40-9242-F
		2.48	5.16	7.88	5.02		362	8.00	
48	3 NPT 3-11 BSPP *	75	150	200	138,5	1018	25	5,90	BV4L-2-N48-9242-F BV4L-2-GOR48-9242-F
		2.95	5.91	7.88	5.45		362	12.90	
64	4 NPT 4-11 BSPP *	100	214	260	161	1622	25	10,00	BV4L-2-N64-9242-Q BV4L-2-GOR64-9242-J
		3.94	8.43	10.23	6.34		362	22.04	

* Please note: STAUFF Size 40, 48, and 64 ball valves are not equipped with a standard SAE port. The O-ring port is a modified BSPP port to duplicate the benefits of an O-ring seal.



These valves can be used with a wide range of STAUFF port adapters. See pages 20-21 for details.

Ball Valve Port Adapters • Type LPVA
Characteristics

- Leak Free O-Ring Sealing to 4 inch with a Variety of Connection Options: Socket Weld, Hose Barb (Straight 45° & 90°) or Split Flange
- Carbon Steel Construction
- Lock Nut Design Simplifies the Positioning of Valves and Eliminates Weld Damage to Valve
- Buna-N-Seals

Options

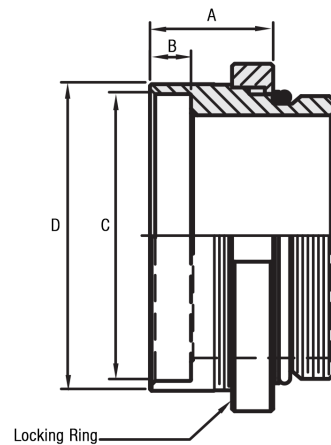
- Viton Seals
- Step Sizes Available (Consult Factory)
- 1/2 inch or 3/4 inch Sizes Available (Consult Factory)

Please note: All O-Ring seals should be lubricated before assembly.

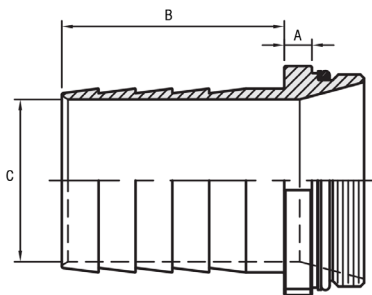

Swivel Socket Weld Adapter

Formally known as SWA-...-LR

STAUFF Size	Thread Size	Dimensions (mm/in)				Order Codes (Standard Option)
		A	B	C	D	
16 / 1"	1-5/16-12 UN - 2B	22.4	6.4	33.8	41.4	LPVA-0-ULR-16/SW-16-W1
		.88	.25	1.33	1.63	
20 / 1-1/4"	1-5/8-12 UN - 2B	22.4	6.4	42.4	50.8	LPVA-0-ULR-20/SW-20-W1
		.88	.25	1.67	2.00	
24 / 1-1/2"	1-7/8-12 UN - 2B	22.4	6.4	48.5	57.2	LPVA-0-ULR-24/SW-24-W1
		.88	.25	1.91	2.25	
32 / 2"	2-1/2-12 UN - 2B	25.4	6.4	60.7	69.9	LPVA-0-ULR-32/SW-32-W1
		1.00	.25	2.39	2.75	
40 2-1/2"	2-1/2-11 BSPP	38.1	.50	73.4	82.6	LPVA-0-ULR-40/SW-40-W1
		1.50	12.7	2.89	3.25	
48 / 3"	3-11 BSPP	38.1	.50	89.2	95.3	LPVA-0-ULR-48/SW-48-W1
		1.50	12.7	3.51	3.75	
64 / 4"	4-11 BSPP	38.1	.50	114.6	120.7	LPVA-0-ULR-64/SW-64-W1
		1.50	12.7	4.51	4.75	


SAE Swivel to Hose Barb Adapter

Formally known as HA

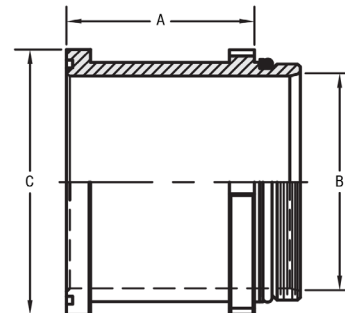


STAUFF Size	Thread Size	Dimensions (mm/in)			Order Codes (Standard Option)
		A	B	C	
16 / 1"	1-5/16-12 UN - 2B	9.7	34.8	21.3	LPVA-0-U-16/HB-16-W2
		.38	1.37	.84	
20 / 1-1/4"	1-5/8-12 UN - 2B	10.2	48.3	26.9	LPVA-0-U-20/HB-20-W2
		.40	1.90	1.06	
24 / 1-1/2"	1-7/8-12 UN - 2B	10.2	49.3	31.8	LPVA-0-U-24/HB-24-W2
		.40	1.94	1.25	
32 / 2"	2-1/2-12 UN - 2B	10.4	61.7	43.2	LPVA-0-U-32/HB-32-W2
		.41	2.43	1.70	
40 2-1/2"	2-1/2-11 BSPP	11.4	78.5	54.6	LPVA-0-U-40/HB-40-W2
		.45	3.09	2.15	
48 / 3"	3-11 BSPP	11.4	91.9	67.3	LPVA-0-48/HB-48-W2
		.45	3.62	2.65	
64 / 4"	4-11 BSPP	11.4	124.5	92.7	LPVA-0-64/HB-64-W2
		.45	4.90	3.65	

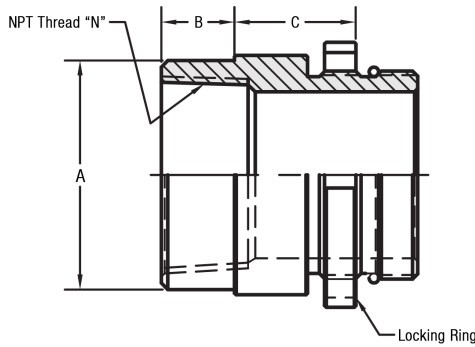
SAE to Split Flange (Code 61) Adapter

Formally known as SAS

STAUFF Size	Thread Size	Dimensions (mm/in)			Order Codes (Standard Option)
		A	B	C	
16 / 1"	1-5/16-12 UN - 2B	61.0	25.4	44.5	LPVA-0-U-16/F3-16-W2
		2.40	1.00	1.75	
20 / 1-1/4"	1-5/8-12 UN - 2B	69.1	31.8	50.8	LPVA-0-U-20/F3-20-W2
		2.72	1.25	2.00	
24 / 1-1/2"	1-7/8-12 UN - 2B	69.1	38.1	60.5	LPVA-0-U-24/F3-24-W2
		2.72	1.50	2.38	
32 / 2"	2-1/2-12 UN - 2B	75.4	50.8	71.4	LPVA-0-U-32/F3-32-W2
		2.97	2.00	2.81	
40 2-1/2"	2-1/2-11 BSPP	80.8	63.5	84.1	LPVA-0-U-40/F3-40-W2
		3.18	2.50	3.31	
48 / 3"	3-11 BSPP	80.8	76.2	101.6	LPVA-0-U-48/F3-48-W2
		3.18	3.00	4.00	
64 / 4"	4-11 BSPP	87.4	101.6	127.0	LPVA-0-U-64/F3-64-W2
		3.44	4.00	5.00	



Ball Valve Port Adapters • Type LPVA



SAE Swivel to NPT Female Adapter

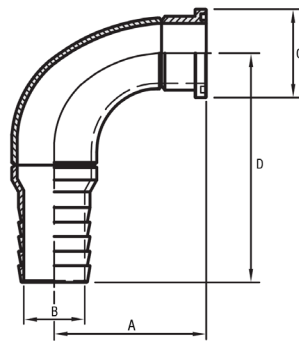
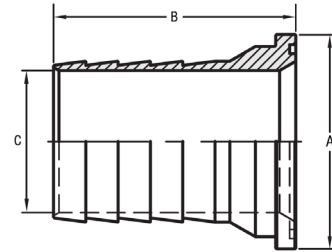
Formally known as SNN-...-LR

STAUFF Size	Thread Size	Dimensions (mm/in)			Order Codes (Standard Option)
		A	B	C	
16 / 1"	1-5/16-12 UN - 2B	41,4	22,4	38,1	LPVA-0-ULR-16/N-16-W1
		1,63	.88	1,50	
32 / 2"	2-1/2-12 UN - 2B	69,9	22,4	44,5	LPVA-0-ULR-32/N-32-W1
		2,75	.88	1,75	
40 2-1/2"	2-1/2-11 BSPP	79,5	25,4	44,5	LPVA-0-ULR-40/N-40-W1
		3,13	1,00	1,75	
48 / 3"	3-11 BSPP	98,6	25,4	44,5	LPVA-0-ULR-48/N-48-W1
		3,88	1,00	1,75	

Split Flange to Hose Barb Adapter

Formally known as HAS

STAUFF Size	Thread Size	Dimensions (mm/in)			Order Codes (Standard Option)
		A	B	C	
16 / 1"	Code 61	44,5	66,8	21,3	LPVA-0-F3-16/HB-16-W2
		1,75	2,63	.84	
24 / 1-1/2"	Code 61	60,5	76,2	31,8	LPVA-0-F3-24/HB-24-W2
		2,38	3,00	1,25	
32 / 2"	Code 61	71,4	82,6	43,2	LPVA-0-F3-32/HB-32-W2
		2,81	3,25	1,70	
40 2-1/2"	Code 61	84,1	101,6	54,6	LPVA-0-F3-40/HB-40-W2
		3,31	4,00	2,15	
48 / 3"	Code 61	101,6	114,3	67,3	LPVA-0-F3-48/HB-48-W2
		4,00	4,50	2,65	
64 / 4"	Code 61	127,0	127,0	92,7	LPVA-0-F3-64/HB-64-W2
		5,00	5,00	3,65	



Split Flange to Hose Barb Elbow 90° Adapter

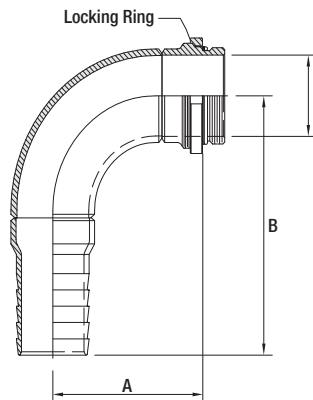
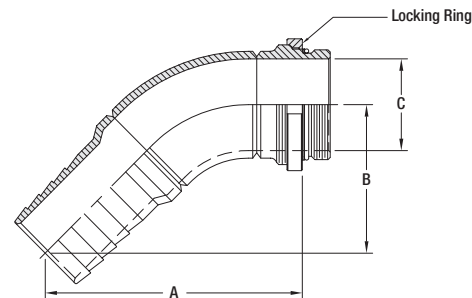
Formally known as HAS-90

STAUFF Size	Dimensions (mm/in)				Order Codes (Standard Option)
	A	B	C	D	
20 / 1-1/4"	82,6	31,8	50,8	117,6	LPVA-90-F3-20/HB-20-W2
	3,25	1,25	2,00	4,63	
24 / 1-1/2"	165,1	38,1	60,5	127,0	LPVA-90-F3-24/HB-24-W2
	6,50	1,50	2,38	5,00	
32 / 2"	108,0	50,8	71,4	158,8	LPVA-90-F3-32/HB-32-W2
	4,25	2,00	2,81	6,25	
40 2-1/2"	139,7	63,5	84,1	200,2	LPVA-90-F3-40/HB-40-W2
	5,50	2,50	3,31	7,88	
48 / 3"	162,1	76,2	101,6	228,6	LPVA-90-F3-48/HB-48-W2
	6,38	3,00	4,00	9,00	
64 / 4"	203,2	101,6	127,0	289,1	LPVA-90-F3-64/HB-64-W2
	8,00	4,00	5,00	11,38	

SAE Swivel to Hose Barb Elbow 45° Adapter

Formally known as HA-45

STAUFF Size	Thread Size	Dimensions (mm/in)			Order Codes (Standard Option)
		A	B	C	
20 / 1-1/4"	1-5/8-12 UN - 2B	108,0	63,5	31,8	LPVA-45-ULR-20/HB-20-W2
		4,25	2,50	1,25	
24 / 1-1/2"	1-7/8-12 UN - 2B	111,3	63,5	38,1	LPVA-45-ULR-24/HB-24-W2
		4,38	2,50	1,50	
32 / 2"	2-1/2-12 UN - 2B	136,7	79,5	50,8	LPVA-45-ULR-32/HB-32-W2
		5,38	3,13	2,00	
40 2-1/2"	2-1/2-11 BSPP	177,8	101,6	63,5	LPVA-45-ULR-40/HB-40-W2
		7,00	4,00	2,50	
48 / 3"	3-11 BSPP	203,2	117,9	76,2	LPVA-45-ULR-48/HB-48-W2
		8,00	4,64	3,00	
64 / 4"	4-11 BSPP	241,3	139,7	101,6	LPVA-45-ULR-64/HB-64-W2
		9,50	5,50	4,00	



SAE Swivel to Hose Barb Elbow 90° Adapter

Formally known as HA-90

STAUFF Size	Thread Size	Dimensions (mm/in)			Order Codes (Standard Option)
		A	B	C	
16 / 1"	1-5/16-12 UN - 2B	60,5	92,2	25,4	LPVA-90-ULR-16/HB-16-W2
		2,38	3,63	1,00	
20 / 1-1/4"	1-5/8-12 UN - 2B	69,9	114,3	31,8	LPVA-90-ULR-20/HB-20-W2
		2,75	4,50	1,25	
24 / 1-1/2"	1-7/8-12 UN - 2B	79,5	127,0	38,1	LPVA-90-ULR-24/HB-24-W2
		3,13	5,00	1,50	
32 / 2"	2-1/2-12 UN - 2B	101,6	158,8	50,8	LPVA-90-ULR-32/HB-32-W2
		4,00	6,25	2,00	
40 2-1/2"	2-1/2-11 BSPP	133,4	204,7	63,5	LPVA-90-ULR-40/HB-40-W2
		5,25	8,06	2,50	
48 / 3"	3-11 BSPP	152,4	230,1	76,2	LPVA-90-ULR-48/HB-48-W2
		6,00	9,06	3,00	
64 / 4"	4-11 BSPP	196,9	289,1	101,6	LPVA-90-ULR-64/HB-64-W2
		7,75	11,38	4,00	

Two-Way Stainless Steel Valve • Type BV9L

Formally known as 2BVM20

Characteristics

Two-way Stainless Steel ball valves designed for use as an on/off device.

Features

- Two-piece body made of Stainless Steel
- Seats and seals made of Teflon® (PTFE)
- Female NPT connection
- Full and reduced port (see chart below)
- Blowout-proof stem
- Anti-static device
- Adjustable packing nut
- Locking handle standard
- Mounting pad

Options

- Full ports for STAUFF Sizes 04 to 12
- Pneumatic and electric actuator packages
- STAUFF sizes 40 to 64

Consult STAUFF for details.

Media Compatibility

- Suitable for a wide range of chemicals

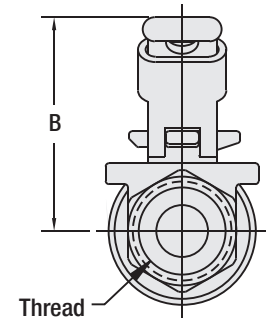
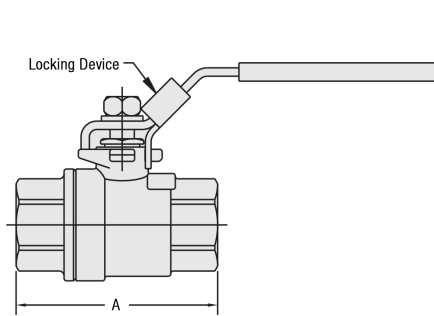
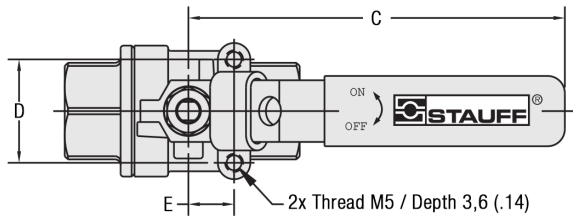
Materials

- Body: Stainless Steel A351-CF8M (316)
- Stem: Stainless Steel A351-CF8M (316)
- Ball: Stainless Steel A351-CF8M (316)
- Seals: Teflon® (PTFE)
- Ball Seats: Teflon® (PTFE)
- Handle: Stainless Steel (304), PVC grip

Technical Data

- Operating Pressure: 140 bar / 2000 PSI (cold, non-shock)
- Operating temperature range: -29°C...+200°C / -20°F...+400°F

Please see the pressure/temperature rating chart for details.

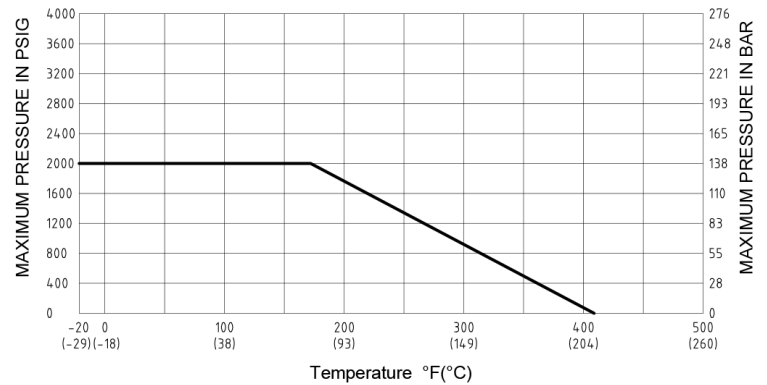


Dimensions and Order Code

STAUFF Size	Thread Size	Dimensions (mm/in)					Order Codes (Standard Option)
		A	B	C	D	E	
04	1/4 NPT	51	48	120	28.5	12.7	BV9L-2-N04-1144-G-LD
		2.01	1.89	4.72	1.12	.50	
06	3/8 NPT	51	48	120	28.5	12.7	BV9L-2-N06-1144-G-LD
		2.01	1.89	4.72	1.12	.50	
08	1/2 NPT	51	49	120	28.5	12.7	BV9L-2-N08-1144-G-LD
		2.01	1.93	4.72	1.12	.50	
12*	3/4 NPT	68	55	130	22.4	36	BV9L-2-N12R-1144-G-LD
		2.68	2.17	5.12	.88	1.42	
16*	1 NPT	83	69	155	22.4	36	BV9L-2-N16R-1144-G-LD
		3.27	2.72	6.10	.88	1.42	
20*	1-1/4 NPT	90	77	155	22.4	36	BV9L-2-N20R-1144-G-LD
		3.54	3.03	6.10	.88	1.42	
24*	1-1/2 NPT	104	84	185	25.4	38.1	BV9L-2-N24R-1144-G-LD
		4.09	3.31	7.28	1.00	1.50	
32*	2 NPT	117	93	185	25.4	38.1	BV9L-2-N32R-1144-G-LD
		4.61	3.66	7.28	1.00	1.50	

*Reduced Bore

Pressure/ Temperature Rating



Two-Piece Three-Way Stainless Steel Valve- Type BV7L

Formally known as 2BVM30



Characteristics

Three-way Stainless Steel ball valves designed for use as flow diverter style valves.

Features

- Two-piece body made of Stainless Steel
- Seats and seals made of Teflon® (PTFE)
- Female NPT connection
- Full and reduced port (see chart below)
- L bore
- Blowout-proof stem
- Anti-static device
- Adjustable packing nut
- Locking handle standard
- Mounting pad to ISO 5211

Options

- T bore
- Pneumatic and electric actuator packages

Media Compatibility

- Suitable for a wide range of chemicals

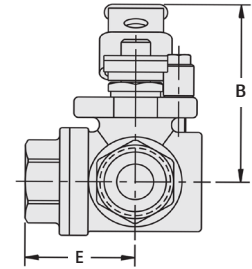
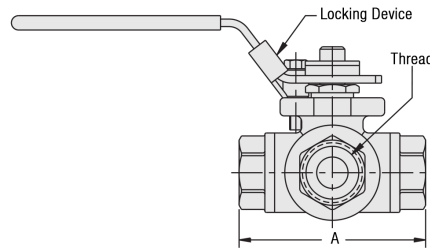
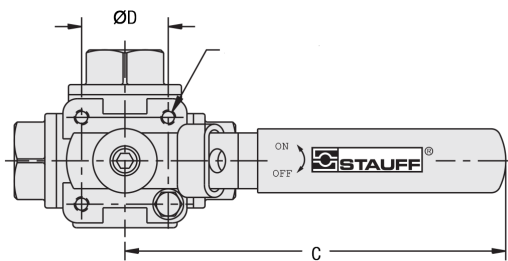
Materials

- Body: Stainless Steel A351-CF8M (316)
- Stem: Stainless Steel A351-CF8M (316)
- Ball: Stainless Steel A351-CF8M (316)
- Seals: Teflon® (PTFE)
- Ball Seats: Teflon® (PTFE)
- Handle: Stainless Steel (304), PVC grip

Technical Data

- Operating Pressure: 70 bar / 1000 PSI (cold, non-shock)
- Operating temperature range: -29°C...+200°C / -20°F...+400°F

Please see the pressure/temperature rating chart for details.

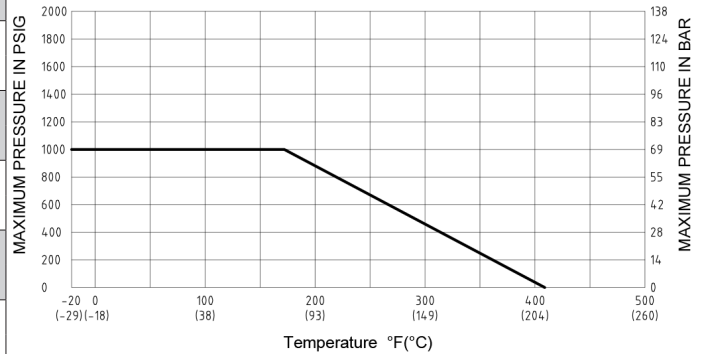


Dimensions and Order Code

STAUFF Size	Thread Size	Dimensions (mm/in)					Order Codes (Standard Option)
		A	B	C	ØD	E	
08	1/2 NPT	75	42	106	36	38,1	BV7L-3L-N08-1144-G-LD
		2.95	1.65	4.17	1.42	1.50	
12 *	3/4 NPT	86	46,5	133	42	43,8	BV7L-3L-N12R-1144-G-LD
		3.39	1.83	5.24	1.65	1.72	
16 *	1 NPT	101	55	133	42	50,3	BV7L-3L-N16R-1144-G-LD
		3.98	2.17	5.24	1.65	1.98	
20 *	1-1/4 NPT	115	63	133	50	57,5	BV7L-3L-N20R-1144-G-LD
		4.53	2.48	5.24	1.97	2.26	
32 *	2 NPT	149	88,3	187	70	75,5	BV7L-3L-N32R-1144-G-LD
		5.87	3.48	7.36	2.76	2.97	

*Reduced Bore

Pressure/ Temperature Rating



Medium-Duty Throttle/Shut-Off Valve • Type NVH (In-Line Assembly)

Characteristics

Throttle and shut-off the flow of liquid media in both directions.

Features

- Designed for in-line assembly with female NPT and SAE threaded connections, female BSP threaded connection available on request
- Ideal for medium-duty applications
- Panel mounting kits available on request
- Graduated turning knob to accurately control flow
- Set-screw located on side of turning knob to lock valve in position

Media Compatibility

- Suitable for a wide range of chemicals

Please consult STAUFF before using with other media.

Materials

- Body made of Steel, nickel-plated
- Internal components made of Stainless Steel
- O-rings made of NBR (Buna-N®); FPM (Viton®) sealed version available
- Anti-extrusion ring made of PTFE

Consult STAUFF for alternative materials.

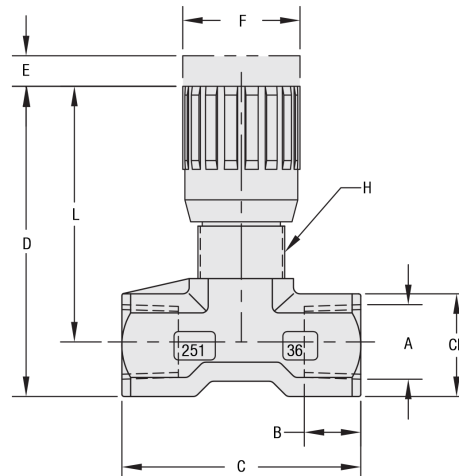
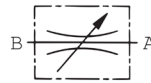
Technical Data

- Maximum working pressure:
350 bar/ 5000 PSI (for all sizes)
- Operating temperature range:
-34°C...+121°C / -30°F...+250°F

Accessories/ Spare Parts

Panel Mounting Kits

- for NVH/FCH/NVM/FCM-08: Panel-Mount-Kit-M17x1.0-W66
- for NVH/FCH/NVM/FCM-10: Panel-Mount-Kit-M20x1.0-W66
- for NVH/FCH/NVM/FCM-12: Panel-Mount-Kit-M25x1.5-W66



Order Code

NVH - 08 - B - N

①

②

③

④

① **Type**

Medium-Duty Throttle/ Shut-Off Valve
(In-Line Assembly)

NVH

② **STAUFF Size**

08

10

12

③ **Sealing Material**

NBR (Buna-N®)

B

④ **Connection**

Female NPT Thread (ANSI B1.20.1)

N

Female UN/UNF Thread (SAE J514)

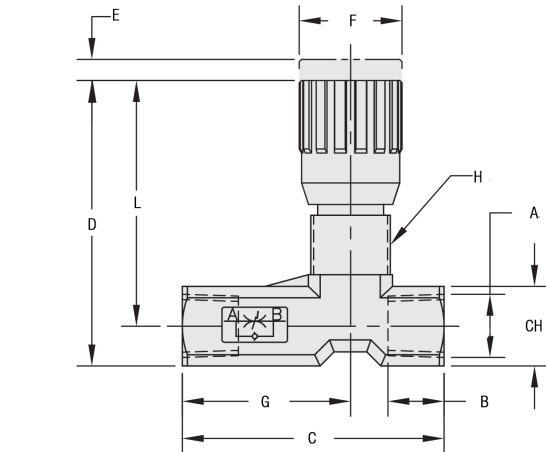
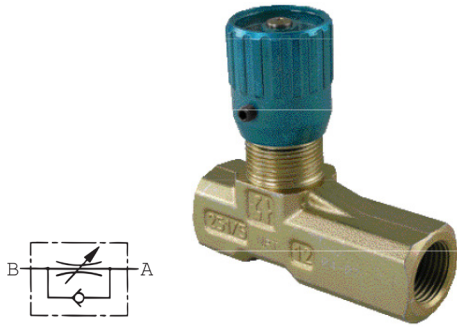
U

Female BSP thread (ISO 228) available on request.

Dimensions and Order Code

Type + Nominal Size	Thread Options A	Dimensions (mm/in)								Weight (kg/lbs)
		B	C	D	E	F	Thread H	L	□CH	
NVH-08-B-N	1/4 NPT	12	46	61	4,5	22	M17x1	52,5	17	0,12
NVH-08-B-U	7/16–20 UNF (1/4" SAE)	.47	1.81	2.40	.18	.87		2.07	.67	.26
NVH-10-B-N	3/8 NPT	13	55	74	7	27	M20x1	63	22	0,23
NVH-10-B-U	9/16–18 UNF (3/8" SAE)	.51	2.17	2.91	.28	1.06		2.48	.97	.51
NVH-12-B-N	1/2 NPT	16	82	85,5	10	33	M25x1,5	72	27	0,45
NVH-12-B-U	3/4–16 UNF (1/2" SAE)	.63	2.76	3.37	.39	1.30		2.83	1.06	1.00

Medium-Duty Flow Control Valve• Type FCH (In-Line Assembly)



Characteristics

Throttle and shut-off the flow of liquid media in direction A-B (free flow in reverse direction).

Features

- Designed for in-line assembly with female NPT and SAE threaded connections; female BSP threaded connections available on request
- Ideal for medium-duty applications
- Panel mounting kits available on request
- Graduated turning knob to accurately control flow
- Set-screw located on side of turning knob to lock valve in position

Media Compatibility

- Suitable for a wide range of chemicals

Please consult STAUFF before using with other media.

Materials

- Body made of Steel, nickel-plated
- Internal components made of Stainless Steel
- O-rings made of NBR (Buna-N®); FPM (Viton®) sealed version available
- Anti-extrusion ring made of PTFE

Consult STAUFF for alternative materials.

Technical Data

- Maximum working pressure:
350 bar / 5000 PSI (for all sizes)
- Operating temperature range:
-34°C...+121°C / -30°F...+250°F

Accessories/ Spare Parts

Panel Mounting Kits

- for NVH/FCH/NVM/FCM-08: Panel-Mount-Kit-M17x1.0-W66
- for NVH/FCH/NVM/FCM-10: Panel-Mount-Kit-M20x1.0-W66
- for NVH/FCH/NVM/FCM-12: Panel-Mount-Kit-M25x1.5-W66

Order Code

FCH - 08 - B - N

①

②

③

④

① **Type**

Medium-Duty Flow Control Valve
(In-Line Assembly)

FCH

② **STAUFF Size**

08

10

12

③ **Sealing Material**

NBR (Buna-N®)

B

④ **Connection**

Female NPT Thread (ANSI B1.20.1)

N

Female UN/UNF Thread (SAE J514)

U

Female BSP thread (ISO 228) available on request.

Dimensions and Order Code

Type + Nominal Size	Thread Options A	Dimensions (mm/in)								Weight (kg/lbs)	
		B	C	D	E	F	G	Thread H	L		□CH
FCH-08-B-N	1/4 NPT	12	56	61	4,5	22	36	M17x1	52,5	17	0,14
FCH-08-B-U	7/16-20 UNF (1/4" SAE)	.47	2.20	2.40	.18	.87	1.42		2.07	.67	.31
FCH-10-B-N	3/8 NPT	13	64,5	74	7	27	41,5	M20x1	63	22	0,26
FCH-10-B-U	9/16-18 UNF (3/8" SAE)	.51	2.54	2.91	.28	1.06	1.63		2.48	.97	.57
FCH-12-B-N	1/2 NPT	16	87	85,5	10	33	57	M25x1,5	72	27	0,49
FCH-12-B-U	3/4-16 UNF (1/2" SAE)	.63	3.42	3.37	.39	1.30	2.24		2.83	1.06	1.08

Medium-Pressure Brass Throttle/Shut-Off Valve • Type NVM (In-Line Assembly)

Characteristics

Throttle and shut-off the flow of liquid media in both directions.

Features

- Designed for in-line assembly with female NPT, SAE, and BSP threaded connections
- Ideal for medium pressure applications
- Panel mounting kits available on request
- Graduated turning knob to accurately control flow
- Set-screw located on side of turning knob to lock valve in position

Media Compatibility

- Suitable for a wide range of chemicals

Please consult STAUFF before using with other media.

Materials

- Body made of Brass, nickel-plated
- Internal components made of Stainless Steel
- O-rings made of NBR (Buna-N®); FPM (Viton®) sealed version available
- Anti-extrusion ring made of PTFE

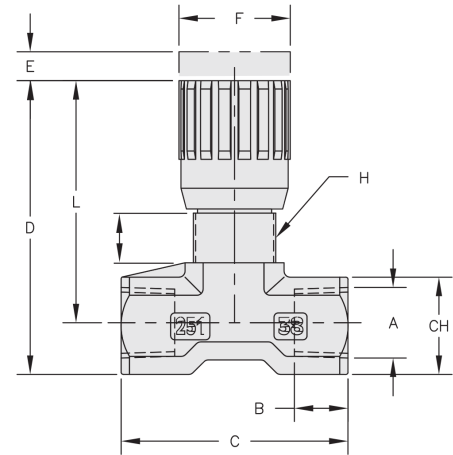
Technical Data

- Maximum working pressure:
200 bar/ 3000 PSI (for all sizes)
- Operating temperature range:
-34°C...+121°C / -30°F...+250°F

Accessories/ Spare Parts

Panel Mounting Kits

- for NVH/FCH/NVM/FCM-08: Panel-Mount-Kit-M17x1.0-W66
- for NVH/FCH/NVM/FCM-10: Panel-Mount-Kit-M20x1.0-W66
- for NVH/FCH/NVM/FCM-12: Panel-Mount-Kit-M25x1.5-W66



Order Code

NVM - 08 - B - N

①

②

③

④

① **Type**

Medium-Pressure Throttle/ Shut-Off Valve
(In-Line Assembly) **NVM**

② **STAUFF Size**

08 10 12

③ **Sealing Material**

NBR (Buna-N®) **B**

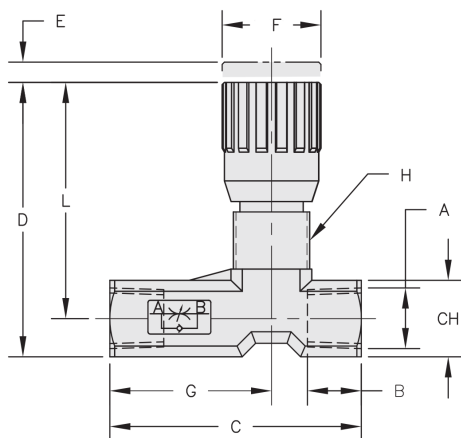
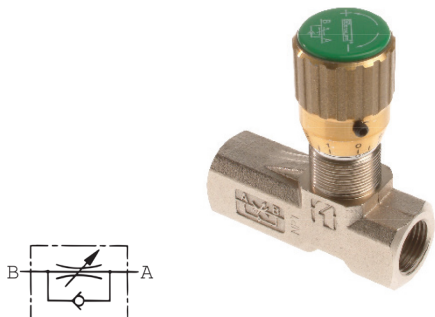
④ **Connection**

Female NPT Thread (ANSI B1.20.1) **N**
 Female UN/UNF Thread (SAE J514) **U**
 Female BSP Thread (ISO 228) **G**

Dimensions and Order Code

Type + Nominal Size	Thread Options A	Dimensions (mm/in)								Weight (kg/lbs)
		B	C	D	E	F	Thread H	L	CH	
NVM-08-B-N	1/4 NPT	12	46	57	4,5	22	M17x1	11	17	0,12
NVM-08-B-U	7/16-20 UNF (1/4" SAE)	.47	1.81	2.24	.18	.87		.43	.67	.26
NVM-08-B-G	1/4 BSP									
NVM-10-B-N	3/8 NPT	13	55	69	7	27	M20x1	15	22	0,23
NVM-10-B-U	9/16-18 UNF (3/8" SAE)	.51	2.17	2.72	.28	1.06		.59	.97	.51
NVM-10-B-G	3/8 BSP									
NVM-12-B-N	1/2 NPT						M25x1,5			
NVM-12-B-U	3/4-16 UNF (1/2" SAE)	16	70	82	10	33		19	27	0,45
NVM-12-B-G	1/2 BSP	.63	2.76	3.23	.39	1.30	.75	1.06	1.00	

Medium-Pressure Brass Flow Control Valve • Type FCM (In-Line Assembly)



Characteristics

Throttle and shut-off the flow of liquid media in direction A-B (free flow in reverse direction).

Features

- Designed for in-line assembly with female NPT threaded connections
- Ideal for medium-pressure applications
- Panel mounting kits available on request
- Graduated turning knob to accurately control flow
- Set-screw located on side of turning knob to lock valve in position

Media Compatibility

- Suitable for a wide range of chemicals

Please consult STAUFF before using with other media.

Materials

- Body made of Brass, nickel-plated
- Internal components made of Stainless Steel
- O-rings made of NBR (Buna-N®); FPM (Viton®) sealed version available
- Anti-extrusion ring made of PTFE

Technical Data

- Maximum working pressure:
200 bar / 3000 PSI (for all sizes)
- Operating temperature range:
-34°C...+121°C / -30°F...+250°F

Accessories/ Spare Parts

Panel Mounting Kits

- for NVH/FCH/NVM/FCM-08: Panel-Mount-Kit-M17x1.0-W66
- for NVH/FCH/NVM/FCM-10: Panel-Mount-Kit-M20x1.0-W66
- for NVH/FCH/NV/FCM-12: Panel-Mount-Kit-M25x1.5-W66

Order Code

FCM - 08 - B - N

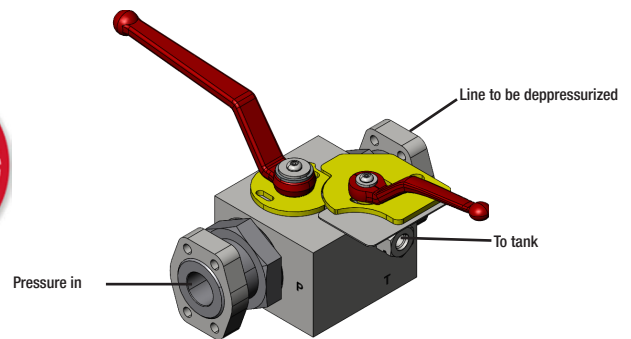
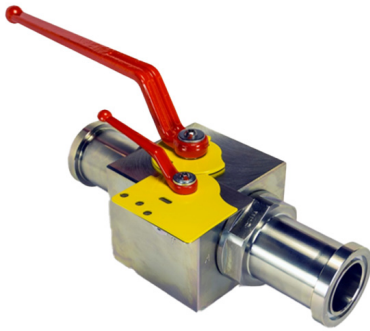
① ② ③ ④

- ① **Type**
Medium-Pressure Flow Control Valve
(In-Line Assembly) **FCM**
- ② **STAUFF Size**
08 10 12

- ③ **Sealing Material**
NBR (Buna-N®) **B**
- ④ **Connection**
Female NPT Thread (ANSI B1.20.1) **N**

Dimensions and Order Code

Type + Nominal Size	Thread Options A	Dimensions (mm/in)									Weight (kg/lbs)
		B	C	D	E	F	G	Thread H	L	□CH	
FCM-08-B-N	1/4 NPT	12	56	61	4,5	22	11,5	M17x1	11	17	0,14
		.47	2.20	2.40	.18	.87	.45				
FCM-10-B-N	3/8 NPT	13	64,5	74	7	27	12,5	M20x1	15	22	0,26
		.51	2.54	2.91	.28	1.06	.49				
FCM-12-B-N	1/2 NPT	16	87	82	10	33	13	M25x1,5	19	27	0,49
		.63	3.42	3.23	.39	1.30	.51				

System Service Bleed Valve • Type SSBV

Characteristics

Two-way high-pressure block body ball valve designed to assure the safe depressurization of your hydraulic system during routine maintenance. Valve can only be locked and tagged-out in the closed position after the integrated bleed valve has been operated and the affected position if the hydraulic system has been depressurized.

Standard Construction

- Block body design for in-line assembly
- Supplied with off-set levers

Standard Materials

- Body: Carbon steel, zinc/iron-plated
- Ball: Carbon steel, hard chrome-plated
- Stem: Carbon steel
- Lever: Zinc (bleed valve handle) Carbon steel (ball valve handle)
- Ball seat: Delrin® (POM)
- O-rings: NBR (Buna-N®)

Standard Connections Styles and Sizes

- Female NPT thread
- Female UN/UNF thread (SAE J514)
- Female BSP thread
- 3000 PSI (Code 61) SAE split flange
- 6000 PSI (Code 62) SAE split flange
- 3000 PSI (Code 61) SAE mating flange, UNC threads
- 6000 PSI (Code 62) SAE mating flange, UNC threads

Pressure Range

- Up to 420 bar / 6000 PSI (depending on size and material combination of the ball valve)

Temperature Range

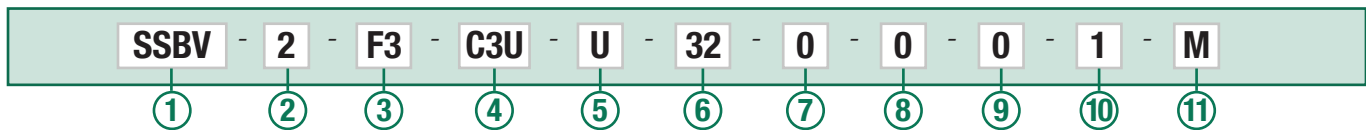
- Operating temperature range:
-20°C...+100°C / -4°F...+212°F

Accessories/ Options

- Stainless steel body
- Stainless steel ball and stem
- Special ball seat and O-ring materials available for lower/higher temperatures and more aggressive media
- Seal kits
- Replacement handle and locking plate kits

Order Code

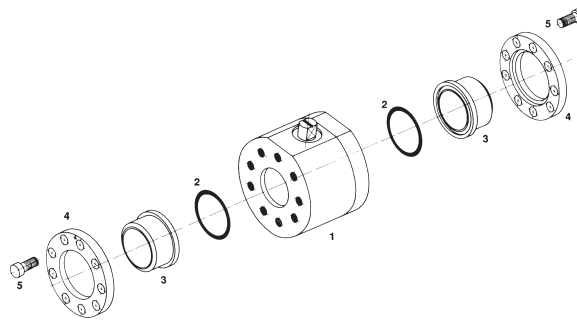
Contact STAUFF for dimensional information.



1 Type	System Service Bleed Valve	SSBV
2 Number of Ports	Two Ports (Two-Way Ball Valve)	2
3 Connection Style Port 1 (Pressure In)	NPT	N
	SAE	U
	BSPP	G
	SAE Split Flange 3000 PSI (Code 61)	F3
	SAE Split Flange 6000 PSI (Code 62)	F6
	SAE Mating Flange 3000 PSI (Code 61), UNC	C3U
	SAE Mating Flange 6000 PSI (Code 62), UNC	C6U
4 Connection Style Port 2 (Line to be Depressurized)	NPT	N
	SAE	U
	BSPP	G
	SAE Split Flange 3000 PSI (Code 61)	F3
	SAE Split Flange 6000 PSI (Code 62)	F6
	SAE Mating Flange 3000 PSI (Code 61), UNC	C3U
	SAE Mating Flange 6000 PSI (Code 62), UNC	C6U

5 Connection Style Port 3 (To Tank)	NPT	N					
	SAE (Standard)	U					
	BSPP	G					
6 STAUFF Group Size	08	12	16	20	24	32	40
7 Body Material/ Surface Finish	Carbon Steel, Zinc/iron-plated	0					
	Stainless Steel V4A (AISI 316Ti)	1					
8 Ball/ Stem Material	Ball: Carbon Steel, hard chrome-plated Stem: Carbon Steel	0					
	Ball/Stem: Stainless Steel V4A (AISI 316 Ti)	1					
9 Ball Seat Material	Delrin® (POM)	0					
10 O-Ring Material	NBR (Buna-N®)	0					
	FKM (Viton®)	1					
11 Manufacturing Code	Manufacturing code for all connection styles	M					

High-Pressure Round Body Ball Valve • Type BV-2-ISO



List of Components

No.	Qty.	Description
1	1	Valve
2	2	O-Ring
3	2	SCH 160 Butt Weld End
4	2	Flange Ring
5	8 or 16*	Flange Bolt

* Quantity depending on size

Characteristics

Two-way high-pressure round body ball valves designed for use as an on/off device for hydraulic applications.

Standard Construction

- Round body design for in-line assembly
- Machined parts for reduced torque operation
- Designed for direct mount to reduce threads in fluid flow
- Supplied with lever

Standard Material

- Body: Carbon Steel, zinc/iron-plated
- Ball: Carbon Steel, hard chrome-plated
- Stem: Carbon Steel
- Lever: Carbon Steel
- Ball Seat: Delrin® (POM)
- O-Rings: FKM (Viton®)

Standard Connection Styles and Sizes

- 400 bar / 5800 PSI series ISO 6164 flange connection
- Metric ISO threads

Pressure Range

- Pressure range: up to 400 bar / 5800 PSI (depending on size and material combination of the ball valve)

Please Note: The final maximum working pressure is determined by flange and pipe/tubing rating.

Temperature Range

- Operating temperature range: -20°C...+100°C / -4°F...+212°F

Options/ Accessories

- Alternative lever designs/materials
- Locking Devices
- Actuator packages
- Limit switches
- Stainless steel body
- Stainless steel ball and stem
- High Pressure ISO 6164 Flanges (BVF Valve)
- Special ball seat and O-ring materials available for lower/higher temperatures and more aggressive media
- Seal kits (including items marked by * in the above list)
- See Online STAUFF Valves Catalog for Options, Accessories and Flange Kit information

Order Code

BVF - 2 - ISO4 DN63 - 0 0 0 1 - M - SCHXXS - LD8

①

②

③

④

⑤

⑥

⑦

⑧

⑨

⑩

⑪

① Type

High-Pressure Round Body Ball Valve	BV
High-Pressure Round Body Ball Valve with Flanges	BVF

② Number of Ports

Two Ports (Two-Way Ball Valve)	2
--------------------------------	---

③ Connection Style

400 bar / 5800 PSI Series ISO 6164 Flange Connection with Metric ISO Threads	ISO4
--	------

Please Contact STAUFF for alternative connection sizes

④ Connection Size

Nominal Size DN		
DIN56	DIN63	DIN80

Note: Available up to 8" pipe.

Please contact STAUFF for alternative connection sizes.

⑤ Body Material/Surface Finishing

Carbon Steel, Zinc/iron-plated	0
Stainless Steel V4A (AISI 316Ti)	1

Note: Stainless steel version may vary in dimensions and design. Alternative materials/ surface finishings are available upon request. Contact STAUFF for further information.

⑥ Ball/ Stem Material

Ball: Carbon Steel, hard chrome-plated	0
Stem: Carbon Steel/ Duplex (from DN63 on)	0
Ball/ Stem: Stainless Steel V4A (AISI 316Ti)	1

Alternative materials/ surface finishings are available upon request. Contact STAUFF for further information.

⑦ Ball Seat Material

Delrin® (POM)	0
---------------	---

Alternative materials are available upon request. Contact STAUFF for further information.

⑧ O-Ring Material

NBR (Buna-N®)	0
FKM (Viton®)	1

Alternative materials are available upon request. Contact STAUFF for further information.

⑨ Manufacturing Code

Manufacturing code for all connection styles	M
--	---

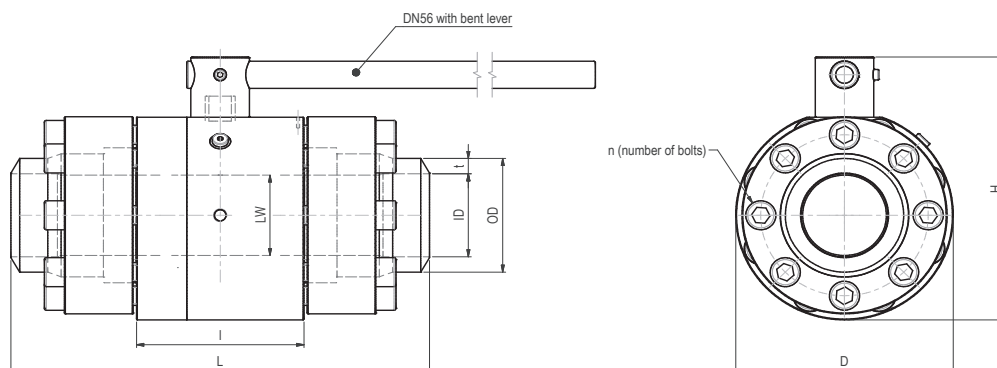
⑩ Flange Kit Options

With flange kits for pipe schedule XXS	SCHXXS
With flange kits for pipe schedule 160	SCH160

⑪ Accessories/ Options

Supplied without accessories	-
Supplied with Locking Device (US version)	LD8

High-Pressure Round Body Ball Valve • Type BV-2-ISO



Ball Valve with Flanges

Pipe Size	Pipe Schedule	STAUFF Part Number	LW		OD		ID		t		L		I		D		H		n	Max Working Pressure	
			mm	inch	mm	inch	mm	inch	mm	inch	mm	inch	mm	inch	mm	inch	mm	inch		bar	PSI
2 1/2"	2 1/2" SchXXS	BVF-2-ISO4DN56-0001-M-SCHXXS	48	1.89	73	2.87	44.96	1.77	14.02	0.55	333	13.11	123	4.84	198	7.80	281	11.06	4	400	5800
	2 1/2" Sch160	BVF-2-ISO4DN56-0001-M-SCH160	48	1.89	73	2.87	53.94	2.12	9.53	0.38	333	13.11	123	4.84	198	7.80	281	11.06	5	400	5800
3"	3" SchXXS	BVF-2-ISO4DN63-0001-M-SCHXXS	58	2.28	88.9	3.50	58.42	2.30	15.24	0.60	370	14.57	150	5.91	224	8.82	286	11.26	5	400	5800
	3" Sch160	BVF-2-ISO4DN63-0001-M-SCH160	58	2.28	88.9	3.50	66.64	2.62	11.13	0.44	370	14.57	150	5.91	224	8.82	286	11.26	5	400	5800
4"	4" SchXXS	BVF-2-ISO4DN80-0001-M-SCHXXS	74	2.91	114.3	4.50	80.06	3.15	17.12	0.67	440	17.32	170	6.69	258	10.16	315	12.40	5	400	5800
	4" Sch160	BVF-2-ISO4DN80-0001-M-SCH160	74	2.91	114.3	4.50	87.32	3.44	13.49	0.53	440	17.32	170	6.69	258	10.16	315	12.40	5	400	5800

Separate Ball Valve Body*

Pipe Size	Nominal Size DN	Nom. Pressure (bar/PSI)	Weight (kg/lbs)	Order Codes (Standard Option)
2 1/2"	56	400	26.60	BV-2-ISO4DN56-0001-M
		5800	58.52	
3"	63	400	42.53	BV-2-ISO4DN63-0001-M ¹
		5800	93.57	
4"	80	400	63.00	BV-2-ISO4DN80-0001-M ¹
		5800	138.60	

¹ Please note: Lever must be fixed in central position during operation. In case of vibration, the lever may otherwise operate the valve by itself.

*See STAUFF Valves Catalog pages 40-41 for more details.

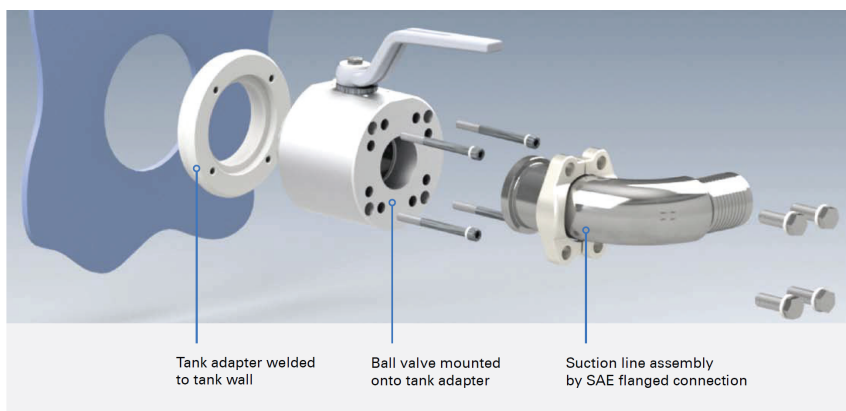
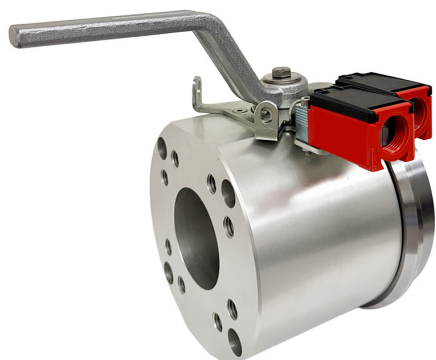
ISO Flange Kit with Butt-Weld Ends

Flange Kit: incl. 1 flange ring, 1 butt-weld end, 1 viton o-ring and 4 metric bolts

Pipe Size	Pipe Schedule	STAUFF Part Number (Flange Kit)
2 1/2"	2 1/2" SchXXS	CAG-407-73/45-V-W1-K
	2 1/2" Sch160	CAG-407-73/54-V-W1-K
3"	3" SchXXS	CAG-408-88.9/58.2-V-W1-K
	3" Sch160	CAG-408-88.9/66.6-V-W1-K
4"	4" SchXXS	CAG-410-114.3/80-V-W1-K
	4" Sch160	CAG-410-114.3/87.3-V-W1-K

5", 6", and 8" on request

Tank Mount Ball Valve - Aluminum • Type TKH



Note: See pages 20-21 for adapter options

Characteristics

Low pressure tank mounted ball valve with weld disc for hydraulic suction line applications.

Standard Construction

- Tank direct mount with weld disc
- Housing anodized
- Bore sizes: 2" - 4" (50mm - 10mm)
1/2" - 1 1/2" available upon request

Standard Materials

- Body: Anodized Aluminum
- Weld Disc: Carbon Steel
Stainless Steel available upon request

Standard Connection Styles and Sizes

- SAE 4-Bolt Code 61 / SAE ORB
- Strainer port NPT female

Pressure Range

- Pressure ratings up to 500 PSI (35 bar)

Temperature Range

- Operating temperature range:
-15°F ... +400°F / +5°C ... +204°C

Accessories / Options

- Weld Discs available in Steel and Stainless Steel
- Locking devices and limit switches available

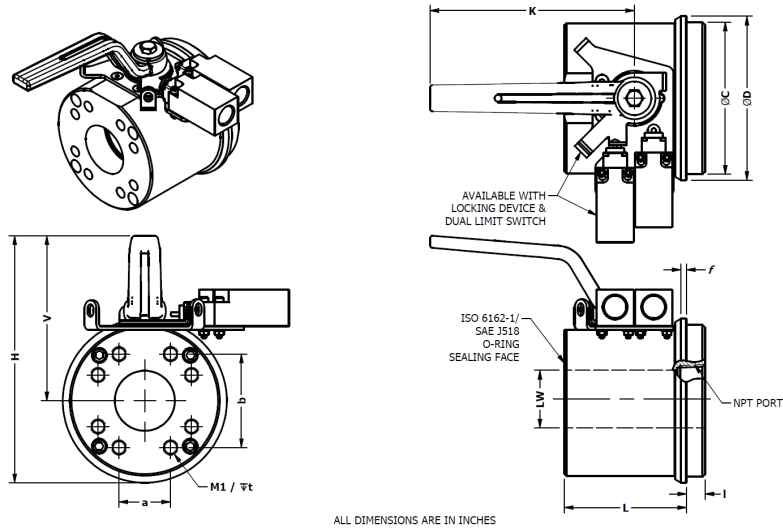
Order Code

TKH - 2 - C332 /N32 - 4 1 4 1 - W1 - M - SOLD

① ② ③ ④ ⑤ ⑥ ⑦ ⑧ ⑨ ⑩ ⑪

<p>① Type</p> <p>Tank Ball Valve TKH</p>	<p>⑤ Body Material</p> <p>Aluminum anodized 4</p>	<p>⑨ Weld Material</p> <p>Carbon Steel (standard) W1 Stainless Steel A2 W4</p>
<p>② STAUFF Size</p> <p>Two Way 2</p>	<p>⑥ Ball/ Stem Material</p> <p>Stainless Steel (standard) 1</p>	<p>⑩ Manufacturer Code</p> <p>Manufacturing code for all connection styles M</p>
<p>③ External Connection (System Side)</p> <p>Flanged C3 SAE Code 61 (standard) Thread U SAE ORB female</p>	<p>⑦ Seat Material</p> <p>PTFE 4</p>	<p>⑪ Accessories</p> <p>Limit Switch in Open Position (normally open), Locking device SOLD Limit Switch in Closed Position (normally closed), Locking device SCLD Limit switch in Open and Closed Positions, Locking Device SOCLD</p>
<p>④ Internal Connection (Suction Strainer Side)</p> <p>NPT female N SAE ORB female U</p>	<p>⑧ O-Ring Material</p> <p>NBR 0 Viton (standard) 1 EPR/EPDM 3</p>	

Tank Mount Ball Valve - Aluminum • Type TKH



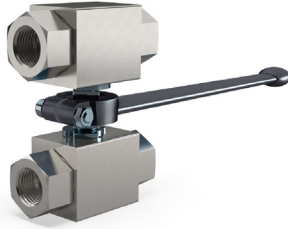
Size Chart

Part Number	Dimensions (mm/in)														
	LW	H	C	E	D	V	L	I	f	K	a	b	M	t	d
TKH-2-C332/N32-4141-W1-M	50	226	126.5	76	136	137	102	15	4.8	170	42.9	77.7	M12	25	2-11.5 NPT
	1.97	7.95	4.98	2.99	5.37	5.28	4.00	0.60	0.19	6.69	3.06	1.69	1/2-13 UNC	1.00	
TKH-2-C340/N40-4141-W1-M	64	229	151.9	101	164	147	117	24	4.8	170	50.8	88.9	M12	25	2 1/2-8 NPT
	2.50	8.88	5.98	3.98	6.44	5.66	4.62	1.00	0.19	6.69	3.50	2.00	1/2-13 UNC	1.00	
TKH-2-C348/N48-4141-W1-M	76	268	177.3	117	189	174	133	28.5	4.8	306	61.9	106.4	M16	32	3/8 NPT
	3.00	10.45	6.98	4.61	7.44	6.73	5.25	1.19	0.19	12.05	4.19	2.44	5/8-11 UNC	1.25	
TKH-2-C364/N64-4141-W1-M	100	292	202.7	146	214	185	159	29.5	4.8	306	77.7	130	M16	32	4-8 NPT
	3.94	11.55	7.98	5.75	8.75	7.18	6.25	1.26	0.25	12.60	5.12	3.06	5/8-11 UNC	1.25	



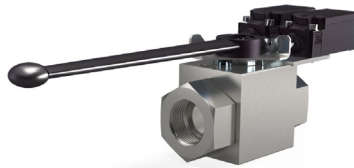
Note: For strainer information see STAUFF Hydraulic Accessories Catalog pages 58-59

Additional Accessories / Options



Tandem Mounting

- Operate two ball valves with one lever
- Available on all BBV and FBV type valves from 1/4" to 2" size
- Part number addition:
 - -DC
- Order Code Example: BBV-2-N08-8001-M-DC



Limit Switch and Limit Switch / Locking Device Options

- Precise feedback on valve position
- Switch can be mounted in open, closed, or both positions
- Limit switch / locking device combination
- Available on all high pressure ball valves
- Part number additions
 - -SC = Switch mounted in closed position
 - -SO = Switch mounted in open position
 - -SOC = Switch mounted in open and closed position
- With locking device:
 - -SCLD
 - -SOLD
 - -SOCLD
- Order Code Example: BBV-2-N08-8001-M-SOCLD

Mechanical Limit Switch Properties

- Body material: thermoplastic, glass fiber reinforced
- Protection type: IP66 / IP67 as per EN 60529
- NC / NO contact
- Utilization category AC-15, Ue/Ie 240V/3A (DC usage also possible)
- Cable entry: 1 x M20x1,5
- Ambient air temperature: -22°F ... +167°F / -30°C ... +75°C

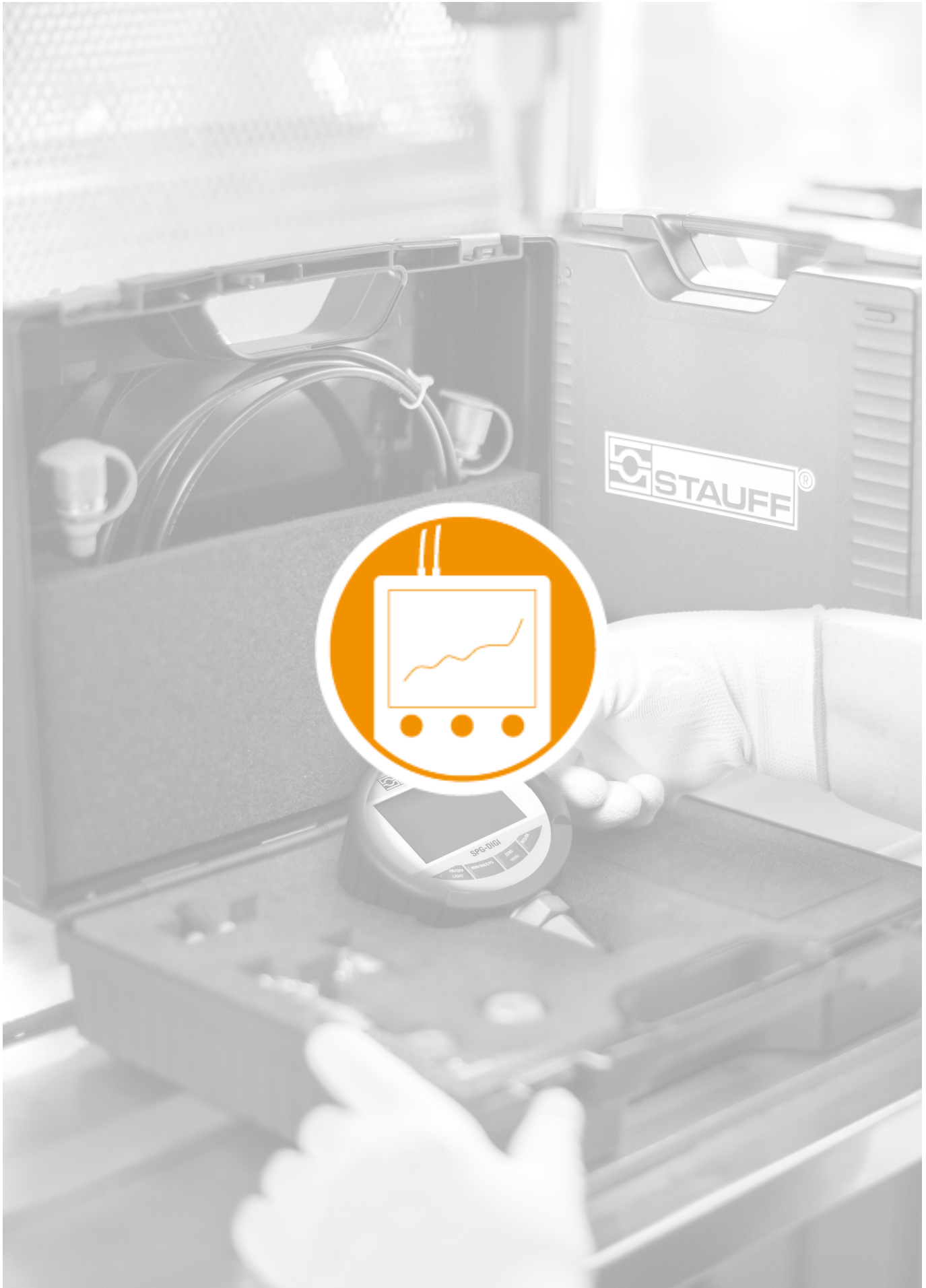


Proximity Sensor

- Precise feedback on valve position equivalent to a limit switch, utilizing a proximity switch sensor for non-contact detection
- Available on all high pressure ball valves
- Part number additions
 - -PC = Proximity switch mounted in closed position
 - -PO = Proximity switch mounted in open position
 - -POC = Proximity switch mounted in open and closed position
- With locking device:
 - -PCLD
 - -POLD
 - -POCLD
- Order Code Example: FBV-2-F632-0001-M-POCLD

Proximity Switch Properties

- Body material: Brass, nickel-plated
- Active surface material: PA 6.6
- Mounting: Non-flush
- Proximity sensor as per NAMUR (DIN EN 60947-5-6)
- Rated operation distance: 4mm (Switching point 1,5 mA @ Un = 8 V and Ri - 1 kΩ)
- Protection type: IP67
- Rated voltage: DC 8 V / Rated operational voltage: DC 5... 25 V
- Ambient air temperature: -13°F ... +158°F / -25°C ... +70°C



Pressure Test Kit (Analog) • Type SMB



Pressure Gauge Kit: SMB-WPG-20-1-7500-05-W3



Pressure Gauge Kit: SMB-WPG-20-2-1000/7500-05-W3



Pressure Gauge Kit: SMB-WPG-20-3-1530/1000/7500-05-W3

Production Description

In addition to the individual SPG gauges, the STAUFF Pressure Gauges are also available as part of a pressure test kit. The SMB Pressure Test Kits are assembled in various versions, in accordance with customer wishes. All pressure test kits are supplied in a handy case with custom-designed foam inserts.

Components

Standard Option SMB-WPG-20-1-7500-05-W3

- 1x Hose assembly (60 in): SMS-20-1524-B-W3
- 1x Direct gauge adapter 1/4 NPT: SMD-20-1/4NPT-W3
- 1x Union: SSV-20-W3
- 1x Pressure gauge 7500 PSI: WPG-063-07500-05-S-N04
- 2x Test coupling 1/8 NPT: SMK-20-1/8NPT-D-W3
- 3x Test coupling 1/4 NPT: SMK-20-1/4NPT-D-W3
- 2x Test coupling 7/16 UNF: SMK-20-7/16UNF-V-E-W3
- 2x Test coupling 9/16 UNF: SMK-20-9/16UNF-V-E-W3
- 1x Female QD fitting 1/4 NPT: QRC-IA-06-F-NF04-BT-W3AA

Standard Option SMB-WPG-20-2-1000/7500-05-W3

- 1x Hose assembly (60 in): SMS-20-1524-B-W3
- 2x Direct gauge adapter 1/4 NPT: SMD-20-1/4NPT-W3
- 1x Union: SSV-20-W3
- 1x Pressure gauge 7500 PSI: WPG-063-07500-05-S-N04
- 1x Pressure gauge 1000 PSI: WPG-063-01000-05-S-N04
- 2x Test coupling 1/8 NPT: SMK-20-1/8NPT-D-W3
- 2x Test coupling 1/4 NPT: SMK-20-1/4NPT-D-W3
- 1x Test coupling 7/16 UNF: SMK-20-7/16UNF-V-E-W3
- 1x Test coupling 9/16 UNF: SMK-20-9/16UNF-V-E-W3
- 1x Female QD fitting 1/4 NPT: QRC-IA-06-F-NF04-BT-W3AA

Standard Option SMB-WPG-20-3-1530/1000/7500-05-W3

- 2x Hose assembly (60 in): SMS-20-1524-B-W3
- 3x Direct gauge adapter 1/4 NPT: SMD-20-1/4NPT-W3
- 2x Union: SSV-20-W3
- 1x Pressure gauge -15 inHg...30 PSI: WPG-063-(-00015)-00030-05-S-N04
- 1x Pressure gauge 7500 PSI: WPG-063-07500-05-S-N04
- 1x Pressure gauge 1000 PSI: WPG-063-01000-05-S-N04
- 2x Test coupling 1/8 NPT: SMK-20-1/8NPT-D-W3
- 2x Test coupling 1/4 NPT: SMK-20-1/4NPT-D-W3
- 1x Test coupling 7/16 UNF: SMK-20-7/16UNF-V-E-W3
- 1x Test coupling 9/16 UNF: SMK-20-9/16UNF-V-E-W3
- 1x Female QD fitting 1/4 NPT: QRC-IA-06-F-NF04-BT-W3AA

Pressure Test Kit (Analog) • Multi Gauge Kit • Type SMB-20



SMB-20-5-W3-M02	SMB-20-6-W3-M02	SMB-20-7-W3-M02	SMB-20-8-W3-M02
SPG-063-03030-05-S-N04	SPG-063-03030-05-S-N04	SPG-063-03030-05-S-N04	SPG-063-03030-05-S-N04
SPG-063-00600-05-S-N04	SPG-063-00600-05-S-N04	SPG-063-00600-05-S-N04	SPG-063-00600-05-S-N04
SPG-063-03000-05-S-N04	SPG-063-01500-05-S-N04	SPG-063-01500-05-S-N04	SPG-063-01000-05-S-N04
SPG-063-05000-05-S-N04	SPG-063-03000-05-S-N04	SPG-063-03000-05-S-N04	SPG-063-01500-05-S-N04
SPG-063-10000-05-S-N04	SPG-063-05000-05-S-N04	SPG-063-05000-05-S-N04	SPG-063-03000-05-S-N04
	SPG-063-10000-05-S-N04	SPG-063-07500-05-S-N04	SPG-063-05000-05-S-N04
		SPG-063-10000-05-S-N04	SPG-063-07500-05-S-N04
			SPG-063-10000-05-S-N04

Each pressure gauge includes a protective gauge cover SPG-063-G-BK and a direct gauge adaptor SMD-20-1/4NPT-W3

Product Description

The SMB20 multi-gauge kit is available pre-assembled and includes a variety of pressure gauges, test points, gauge adapters, test hoses and more. The gauges, test points, and adapters are enclosed in protective foam.

The test hoses are secured in a removable zipper pouch. All of these components are encased in a single durable protective enclosure.

- Custom kits are easily supplied to your specific needs
- OEMs in particular find this convenient for technicians and as an after market service tool
- Custom labels, foam inserts and boxes are available in quantity

Components

Multi Gauge Kit SMB-20-X-W3-M02 (see table for X)

- 3x Test coupling 1/4 NPT: SMK-20-1/4NPT-D-W3
- 3x Test coupling 7/16 UNF: SMK-20-7/16UNF-V-E-W3
- 3x Test coupling 9/16 UNF: SMK-20-9/16UNF-V-E-W3
- 3x Gauge adapter: SMA-20-1/4NPT-W3
- 3x Union adapter: SSV-20-W3
- 2x Test hose (12 in): SMS-20-305-B-W3
- 2x Test hose (24 in): SMS-20-610-B-W3
- 2x Test hose (60 in): SMS-20-1524-B-W3
- 1x Swivel run tee -4 JIC: SGV-7/16UNF-04-JIC1/4-FM-W66
- 1x Swivel run tee -6 JIC: SGV-7/16UNF-06-JIC3/8-FM-W66
- 1x Swivel run tee -8 JIC: SGV-7/16UNF-08-JIC1/2-FM-W66
- 1x Female QD fitting 1/4 NPT: QRC-IA-06-F-NF04-BT-W3AA

Gauges included in Standard Kit

- 5 Gauge Kit: see table SMB-20-5-W3-M02
- 6 Gauge Kit: see table SMB-20-6-W3-M02
- 7 Gauge Kit: see table SMB-20-7-W3-M02
- 8 Gauge Kit: see table SMB-20-8-W3-M02

Pressure Test Kit (Digital) • Type SMB-DIGI/-W



Pressure Test Kit (Digital) Type SMB-DIGI



Pressure Test Kit (Digital) Type SMB-DIGI-SM

Product Description

In addition to the individual SPG-DIGI devices, the STAUFF Digital Pressure Gauges are also available as part of a pressure test kit.

The SMB-DIGI pressure test kits are assembled in various versions, in accordance with customer wishes. All pressure test kits are supplied in a handy case with custom-designed foam inserts.

Components

Standard Option SMB-DIGI

- SPG-DIGI digital pressure gauge
- SMD adapter (-4 SAE to M16 x 2 or S12,65 x 1,15)
- SSV20 or SSV12 hose connector
- SMK-20-1/4NPT-D-W3 or SKK-12-1/4NPT-D-W3 test point
- SMK-20-1/8NPT-D-W3 or SKK-12-1/8NPT-D-W3 test point
- SMK-20-7/16UNF-V-E-W3 or SKK-12-7/16UNF-V-E-W3 test point
- SMK-20-9/16UNF-V-E-W3 or SKK-12-9/16UNF-V-E-W3 test point
- SMS test hose (1,5 m / 4.92 ft) M16 x 2 or S 12,65 x 1,5 connection rated to 600 bar / 8702 PSI
- QRC-IA-06-F-NF04-BT-W3AA Quick disconnect

Order Code

SMB -
 DIGI -
 20 -
 B0016 -
 U -
 CAL

1
 2
 3
 4
 5
 6

1 Series

Pressure Test Kit SMB

2 Types

SPG-DIGI Digital Pressure Gauge DIGI
 SPG-DIGI Digital Small DIGI-SM
 SPG-DIGI Digital with USB Port DIGI-USB

3 Adapter Version

Adapts to STAUFF Test 20 (M16 x 2) 20
 Adapts to STAUFF Test 12 (S12,65 x 1,5) 12

4 Pressure Ranges

-1...5 bar/ -14.5...72 PSI	B0005
-1...16 bar/ -14.5...232 PSI	B0016
0...100 bar/ 0...1450 PSI	B0100
0...400 bar/ 0...5801 PSI	B0400
0...600 bar/ 0...8702 PSI	B0600
0...1000 bar/ 0...14504 PSI	B1000

5 Process Connection

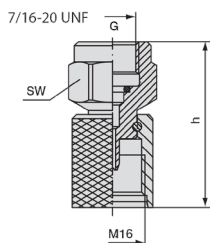
G1/4	B
7/16-20 UNF	U

6 Calibration

Without Calibration Certificate	(none)
With Calibration Certificate	CAL

Pressure Ranges

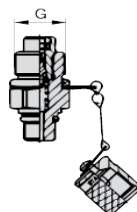
Version	Pressure Range	Maximum Pressure	Burst Pressure
B0005	-1...5 bar	30	50
	-14.5...72 PSI	435	725
B0016	-1...16 bar	32	160
	-14.5...232 PSI	464	2321
B0100	0...100 bar	200	800
	0...1450 PSI	2900	11603
B0400	0...400 bar	800	1700
	0...5801 PSI	11603	24656
B0600	0...600 bar	1200	2400
	0...8702 PSI	17404	31908
B1000	0...1000 bar	1500	2500
	0...14504 PSI	21756	36259



SMD Adapter
 Connects the pressure gauge to a test point.



SAD Adapter
 Only in conjunction with the SMD20-7/16UNF-C6F adapter, connects to other test point sizes.



Test Point
 STAUFF Test or comparable.

Accessories (Connection Adaptors)

Adapter	Adaption From	to Dimension G
SMD-20-7/16UNF-W3	7/16-20 UNF	M16 x 2
SMD-15-7/16UNF-W3	7/16-20 UNF	M16 x 1,15
SMD-12-7/16UNF-W3	7/16-20 UNF	S12,65 x 1,15
SAD-20/15-W3	M16 x 2	M16 x 1,5
SAD-20/12-W3	M16 x 2	S12,65 x 1,5

A large number of adapters are available to connect STAUFF SPG-DIGI and SPG-DIGI-W pressure gauges to other test points and testers. Other adapters are available.

Oil Sampling Kit and Oil Check Analysis Kit • Type KIT-SFS & BOTTLE-SFS

Product Description

Fluid analysis is a crucial component of any oil management program. Early detection of potential problems can prevent costly repairs and downtime. STAUFF KIT-SFS Oil Analysis Kit provide the tools to take a sample from a STAUFF test coupling or directly from a reservoir or sump.

For this, the supplied hose is directly connected to the test coupling with an adapter and the fluid is filled into the supplied vials.

But there is also the possibility to draw up the sample directly from a tank with the hand pump and fill it into the vial.

The sample set is available in two versions with BSP and NPT test couplings.

Scope of Delivery

- Contains vacuum pump for drawing samples of oil equipment
- 1 m / 3.28 ft hose for insertion into tank
- Two sample bottles
- STAUFF test points and adapter allows oil sample to be taken from STAUFF Test 20 test points

BOTTLE-SFS - Test Carried Out Include

- Spectrographic analysis - 19 elements for wear metals, contaminants and additives
- Viscosity - the kinematic viscosity reported in centistokes (cSt)
- Visible debris analysis - microscopic examination of any visible debris in the sample
- Total Acid Number (TAN)
- Particle count - to determine the cleanliness of the system
- Karl Fisher (KF) - to determine the exact concentration of water present in the oil

Components

- KIT-SFS-01**
- 1x Fluid Sample Pump FSP-38
 - 1x Hose adapter SHA-20-5.5mm
 - 1m / 3.28 ft Push on 1/4" hose
 - 1x SMK-20-1/4NPT-V-D-3
 - 1x SMK-20-7/16UNF-V-E-W3
 - Sample Bottles

- KIT-SFS-02**
- 1x Fluid Sample Pump FSP-38
 - 1x Hose adapter SHA-20-5.5mm
 - 1m / 3.28 ft Push on 1/4" hose
 - 1x SMK-20-G1/4-B-C-W3
 - 1x SMK-20-M10x1-B-A-W3
 - Sample Bottles

Order Codes



1 Series and Type

Oil Sampling Kit **KIT-SFS**

3 Bottle Size

110 ml **110**

2 Version

NPT-Version **01**
BSP-Version **02**

4 Equipment

Protoc. Container/ 38 mm **MC-38AL**
Aluminium pump



1 Series and Type

Oil Sampling Bottle **BOTTLE-SFS**

3 Quantity

Single test bottle **-**
Carton of 10 bottles **V10**

2 Bottle Size

110 ml **110**



Check Oil Analysis KIT-SFS



Oil Sampling Kit BOTTLE-SFS

Oil Analysis Reports

In addition to a printed report, the STAUFF Check Fluid Analysis service includes access to your test reports on the internet.

Your reports are hosted in a secure server that you can access with your user ID and password. All that is required is a connection to the internet and a compatible browser. You can view all your current and previous test results for all of the machines you are monitoring, track the effectiveness of your oil management program, and generate detailed management summary reports.

Review Oil Analysis Results

View oil analysis sample reports, test results, trending graphs, and other recommendations. Access data that was traditionally accessible only to the laboratory, including, IR spectra, TAN and TBN titration plots, as well as, GC chromatograms.

Enjoy the best possible turn-around of your oil analysis samples by viewing data on-line and in real-time with your oil analysis laboratory.

Improve time management by receiving e-mail alerts notifying you when recently completed samples indicate an equipment problem when corrective action is required.

Flowtell Inline Flow Meter • Type SFF
Product Description

The STAUFF Flowtell Inline Flow Meter is ideal for monitoring case drain flows, pump performance and media flows through hydraulic circuits and sub-circuits. It allows the designer to install it in any orientation (horizontal, vertical, or inverted) and is weather-tight for use outdoors and/or on systems where wash downs are required. It is also a reliable service tool that provides years of maintenance-free performance. Flow can be measured up to a value of 238 l/min / 75 GPM.

Features

- G1/2, G3/4, G1-1/4, 1/2 NPT, 3/4 NPT, and 1-1/4 NPT process connection
- Flow ranges up to 283 l/min / 75 US GPM

Technical Data
Materials

- Aluminum end caps
- Polycarbonate Windows Tube
- NBR (Buna-N®) and Teflon sealings
- Suitable for Mineral-Based Hydraulic Fluid

Accuracy

- ±2.5% of full scale in mid-third of flow range
- ±4.0% over entire flow range

Repeatability

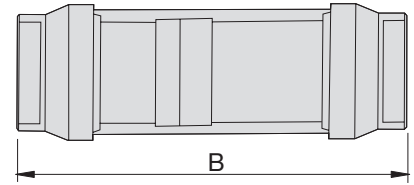
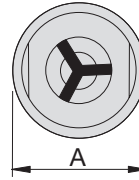
- ±1% of full sale

Max. Operating Pressure

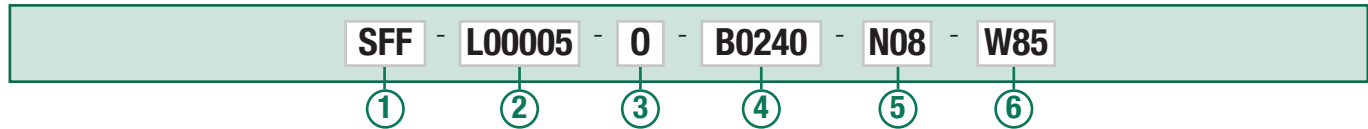
- 240 bar / 3500 PSI

Max. Operating Temperature

- +116°C / +240°F


Dimensions

Codes	A		B	
SFF-L00005-0-B0240-N08-W85	48	mm	167	mm
	1.88	in	6.56	in
SFF-L00005-0-B0240-G08-W85	48	mm	167	mm
	1.88	in	6.56	in
SFF-L00030-0-B0240-N12-W85	60	mm	182	mm
	2.38	in	7.16	in
SFF-L00030-0-B0240-G12-W85	60	mm	182	mm
	2.38	in	7.16	in
SFF-L00075-0-B0240-N20-W85	90	mm	258	mm
	3.50	in	10.13	in
SFF-L00075-0-B0240-G20-W85	90	mm	258	mm
	3.50	in	10.13	in

Order Code

① Series and Type

Flowtell Inline Flow Meter **SFF**

② Flow Ranges

2...18 l/min / 0.5...5 US GPM **L00005**
 12...113 l/min / 3...30 US GPM **L00030**
 31...283 l/min / 8...75 US GPM **L00075**

③ Type

For use with Oil **0**

④ Pressure Range

0-240 bar / 3500 PSI **B0240**

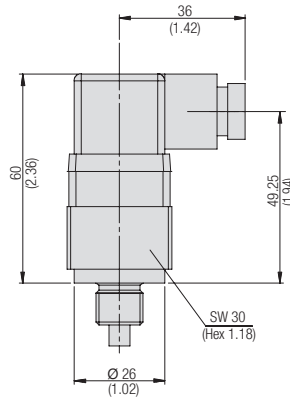
⑤ Process Connection

G1/2 (only L00005) **G08**
 G3/4 (only L00030) **G12**
 G1-1/4 (only L00075) **G20**
 1/2 NPT (only L00005) (standard option) **N08**
 3/4 NPT (only L00030) (standard option) **N12**
 1-1/4 NPT (only L00075) (standard option) **N20**

⑥ Material

Aluminum (P. Max 0-250 bar / 3500 PSI) **W85**

Temperature Switch • Type STW



Wiring Scheme

Wiring diagram normally open



Wiring diagram normally closed



Product Description

The STW mechanical Temperature Switch is available in a variety of temperature ranges. This unit features a bimetallic fixed set point. The electrical connector of the SPW is designed to rotate in order to face the cable clamp into whatever position desired after installation.

Features

- Normally open and normally closed switching function
- Fixed set points from +60 °C ... +80°C / +140°F ... +176°F
- G1/4 and 1/4 NPT process connection
- Brass body

Options

- Fixed set points from +30°C ... +105°C / +86°F ... +221°F
- G1/2 and 1/8 NPT process connections

Technical Data

Materials

- Body: Brass
- Connector: Polyamide

Signal Outputs

- Normally open (NO) or normally closed (NC)

Maximal Switching Values

- Maximal voltage: 250 V AC
- Maximal current: 10 A at 240 V AC
5 A at 24 V AC
10 A at 12 V AC

Accuracy

- ±5°C / ±9°F

Maximum Ratings

- Temperature: +130°C / +266°F
- Pressure: 150 bar / 2175 PSI

Electrical Connection

- DIN EN 175301-803 form A-PG09 (DIN 43650-A)

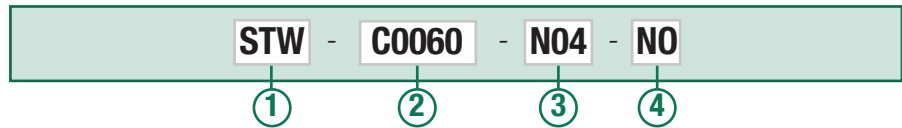
Process Connection

- G1/4, G1/2, 1/8 NPT, 1/4 NPT

Protection Rating

- IP 65 protection rating: Dust tight and protected against water jets

Order Code



1 Series and Type

Pressure Switch **STW**

2 Temperature Ranges (Fixed Set Point)

+30°C / +86°F	C0030
+40°C / +104°F	C0040
+50°C / +122°F	C0050
+60°C / +140°F (standard option)	C0060
+70°C / +158°F	C0070
+80°C / +176°F	C0080
+90°C / +194°F	C0090
+100°C / +212°F	C0100
+105°C / +221°F	C0105

3 Process Connection

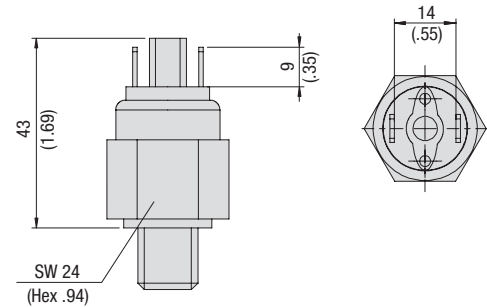
G1/4	B04
G1/2	B08
1/8 NPT	N02
1/4 NPT (standard option)	N04

4 Contacts

Normally open (standard option)	NO
Normally closed	NC

Pressure Switch • Type SPW-...-NC/NO

Wiring Scheme
Wiring diagram normally open

Wiring diagram normally closed

Product Description

The SPW Mechanical Pressure Switch is available in a variety of pressure ranges. This durable unit has an adjustable set point that is easily changed by using the adjustment screw which is located under the protective cap.

Features

- Normally open, normally closed
- Pressure ranges available up to 206,84 bar / 3000 PSI
- G1/4 and 1/4 NPT process connection
- NBR (Buna-N®) sealings
- Steel, zinc plated
- Spade terminal connection

Options

- G1/8, 1/8 NPT and 7/16–20 UNF process connections
- FPM (Viton®) and EPDM sealings on request
- Flying leads with shrink tubing, flying leads, rubber boot, Deutsch connector, weather pack connector female/male and IP option on request
- 316 Stainless Steel

Technical Data
Materials

- Body: Steel, zinc plated or 316 Stainless Steel
- Connector: Polyamide

Electrical Data and Output

- Switching function: Normally open (NO), normally closed (NC)
- Cycle rate: 30 CPM
- Mechanical life: 2000000 operations
- Max. electrical rating: 100 VA

Permissible Temperatures

- NBR (Buna-N®): -9°C ... +110°C / +15°F ... +230°F
- FPM (Viton®): -18°C ... +110°C / 0°F ... +230°F
- EPDM: -40°C ... +110°C / -40°F ... +230°F

Process Connection

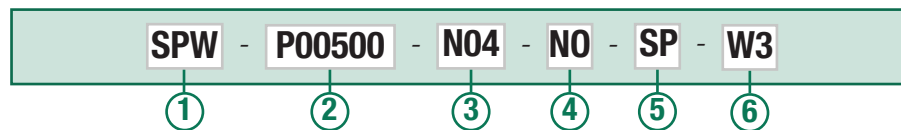
- G1/8, G1/4, 1/8 NPT, 1/4 NPT and 7/16–20UNF

Electrical Connection

- Spade terminals

Protection Rating

- IP 00 protection rating

Order Code

1 Series and Type

Mechanical Pressure Switch **SPW**

2 Version

1,03...4,14 bar / 15...60 PSI	P00060
2,76...10,34 bar / 40...150 PSI	P00150
5,17...18,96 bar / 75...275 PSI	P00275
10,34...34,47 bar / 150...500 PSI (standard option)	P00500
18,96...55,16 bar / 275...800 PSI	P00800
27,58...75,84 bar / 400...1100 PSI (standard option)	P01100
69,95...206,84 bar / 1000...3000 PSI (standard option)	P03000

3 Process Connection

G1/8	B02
G1/4	B04
1/8 NPT	N02
1/4 NPT (standard option)	N04
7/16-20 UNF	U04

4 Switching Outputs

Normally open (standard option) **NO**
Normally closed **NC**

5 Electrical Connection

Spade terminals (standard option)	SP
Flying leads	F
Flying leads with shrink tubing	FL
Deutsch DT04-3P/3-Pin	D
Rubber boot	RB
Weather pack connector female	WF
Weather pack connector male	WM
IP Option (IP 66)	IP

Note: IP Option requires a fixed set point indicated at the end of part number.

6 Body Material

Steel, zinc plated (standard option) **-**
316 Stainless Steel **W5**

Pressure Ranges

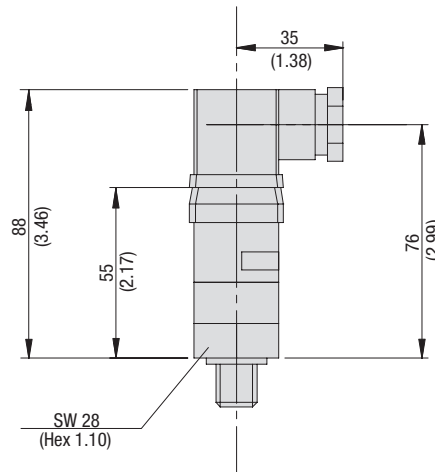
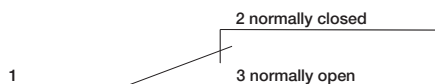
Version	Pressure Range (bar/PSI)	Maximum Pressure (bar/PSI)	Burst Pressure (bar/PSI)	Repeatability	Average Deadband
P00060	1,03 ... 4,14	413,69	620,53	±0,10 bar + 3 % of setting	0,21 bar + 5 % of setting
	15 ... 60	6000	9000	±1.5 PSI + 3 % of setting	3 PSI + 5 % of setting
P00150	2,76 ... 10,34	413,69	620,53	±0,17 bar + 3 % of setting	0,35 bar + 6 % of setting
	40 ... 150	6000	9000	±2.5 PSI + 3 % of setting	5 PSI + 6 % of setting
P00275	5,17 ... 18,96	413,69	620,53	±0,26 bar + 3 % of setting	0,48 bar + 8 % of setting
	75 ... 275	6000	9000	±3.75 PSI + 3 % of setting	7 PSI + 8 % of setting
P00500*	10,34 ... 34,47	413,69	620,53	±0,34 bar + 3 % of setting	0,69 bar + 10 % of setting
	150 ... 500	6000	9000	±5 PSI + 3 % of setting	10 PSI + 10 % of setting
P00800	18,96 ... 55,16	413,69	620,53	±0,55 bar + 3 % of setting	10,3 bar + 11 % of setting
	275 ... 800	6000	9000	±8 PSI + 3 % of setting	15 PSI + 11 % of setting
P01100*	27,58 ... 75,84	413,69	620,53	±0,90 bar + 3 % of setting	2,07 bar + 12 % of setting
	400 ... 1100	6000	9000	±13 PSI + 3 % of setting	30 PSI + 12 % of setting
P03000*	68,95 ... 206,84	413,69	620,53	±2,41 bar + 3 % of setting	4,83 bar + 14 % of setting
	1000 ... 3000	6000	9000	±35 PSI + 3 % of setting	70 PSI + 14 % of setting

* Standard Option
Dimensional drawing: All dimensions in mm (in).

Pressure Switch • Type SPW-SD



Wiring Scheme



Product Description

The SPW-SD Mechanical SPDT Pressure Switch is available in a variety of pressure ranges. This durable unit has an adjustable set point that is easily changed by using the adjustment screw which is located under the protective cap.

Features

- SPDT switching function
- Pressure ranges available up to 344,74 bar / 5000 PSI
- G1/4 and 1/4 NPT process connection
- NBR (Buna-N®) sealings
- Steel, zinc plated
- Spade terminal connection

Options

- G1/8, 1/8 NPT and 7/16–20 UNF process connections
- FPM (Viton®) and EPDM sealings on request
- Flying leads with shrink tubing, flying leads, Deutsch connector, weather pack connector female/male and IP option on request
- 316 Stainless Steel

Technical Data

Materials

- Body: Steel, zinc plated or 316 Stainless Steel
- Connector: Polyamide

Electrical Data and Output

- Switching function: SPDT
- Cycle rate: 20 CPM
- Mechanical life: 2000000 operations
- Max. electrical rating: 5 A at 125/250 V AC
5 A resistive/ 3 A Inductive at 28 V DC

Permissible Temperatures

- NBR (Buna-N®): -9°C ... +85°C / +15°F ... +185°F
- FPM (Viton®) : -18°C ... +85°C / 0°F ... +185°F
- EPDM: -23°C ... +85°C / -10°F ... +185°F

Process Connection

- G1/8, G1/4, 1/8 NPT, 1/4 NPT and 7/16–20UNF

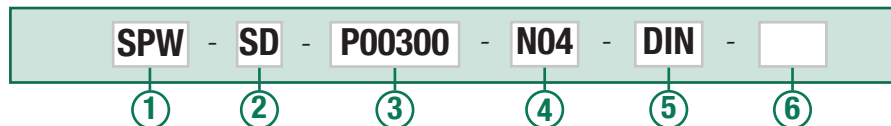
Electrical Connection

- DIN EN 175301-803 form A (DIN 43650-A)

Protection Rating

- IP 65 protection rating: Dust tight and protected against water jets

Order Code



1 Series and Type

Mechanical Pressure Switch **SPW**

2 Switching Outputs

SPDT **SD**

3 Version

0,69...2,07 bar / 10...30 PSI	P00030
1,72...5,17 bar / 25...75 PSI	P00075
4,48...20,68 bar / 65...300 PSI (standard option)	P00300
17,24...68,95 bar / 250...1000 PSI (standard option)	P01000
68,95...206,84 bar / 1000...3000 PSI (standard option)	P03000
172,37...344,74 bar / 2500...5000 PSI (standard option)	P05000

4 Process Connection

G1/8	B02
G1/4	B04
1/8 NPT	N02
1/4 NPT (standard option)	N04
7/16-20 UNF	U04

5 Electrical Connection

Flying leads	F
Flying leads with shrink tubing	FL
DIN EN 175301-803A (DIN 43650-A) (standard option)	DIN
Deutsch DT04-3P/3-Pin	D
Weather pack connector female	WF
Weather pack connector male	WM
IP Option (IP 66)	IP

6 Body Material

Steel, zinc plated (standard option)	-
316 Stainless Steel	W5

Pressure Ranges

Version	Pressure Range (bar/psi)	Maximum Pressure (bar/psi)	Burst Pressure (bar/psi)	Repeatability	Average Dead-band
P00030	0,69 ... 2,07	413,69	620,53	±0,10 bar + 2 % of setting	0,24 bar + 11% of setting
	10 ... 30	6000	9000	±1.5 PSI + 2 % of setting	3.5 PSI + 11% of setting
P00075	1,72 ... 5,17	413,69	620,53	±0,17 bar + 2 % of setting	0,24 bar + 11% of setting
	25 ... 75	6000	9000	±2.5 PSI + 2 % of setting	3.5 PSI + 11% of setting
P00300*	4,48 ... 20,68	413,69	620,53	±0,34 bar + 2 % of setting	1,38 bar + 11% of setting
	65 ... 300	6000	9000	±5 PSI + 2 % of setting	20 PSI + 11% of setting
P01000*	17,24 ... 68,95	413,69	620,53	±1,03 bar + 2 % of setting	3,10 bar + 12% of setting
	250 ... 1000	6000	9000	±15 PSI + 2 % of setting	45 PSI + 12% of setting
P03000*	68,95 ... 206,84	413,69	620,53	±2,07 bar + 2 % of setting	4,83 bar + 12% of setting
	1000... 3000	6000	9000	±30 PSI + 2 % of setting	70 PSI + 12% of setting
P05000	172,37 ... 344,74	413,69	620,53	±3,45 bar + 2 % of setting	9,65 bar + 13% of setting
	2500 ... 5000	6000	9000	±50 PSI + 2 % of setting	140 PSI + 13% of setting

* Standard Option
Dimensional drawing: All dimensions in mm (in).


Product Description

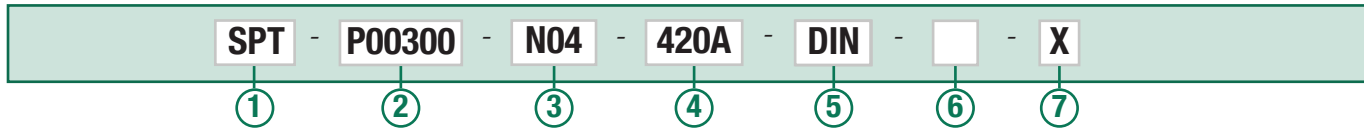
The SPT Pressure Transmitter is designed for many industrial and OEM pressure measurement applications. The SPT pressure transmitters convert applied pressure from 1,03 bar up to 689,48 bar / 15 PSI up to 10000 PSI into the corresponding output signals. The SPT Series provides resistance to vibration, shock, wide temperature variations and many other extreme environmental conditions that are typical of industrial and OEM applications.

Features

- Stainless Steel housing construction
- L-plug DIN EN 175301-803A (DIN 43650-A) electrical connection
- G 1/4 or 1/4 NPT process connection
- Output signal 4...20 mA
- Non-linearity $\leq \pm 0.5\%$ BFSL
- Environmental protection of IP 65 (IP 65 protection rating: Dust tight and protected against water jets)
- Protection against incorrect polarity, short circuits and over-voltage
- Temperature compensated
- Long term stability

Options

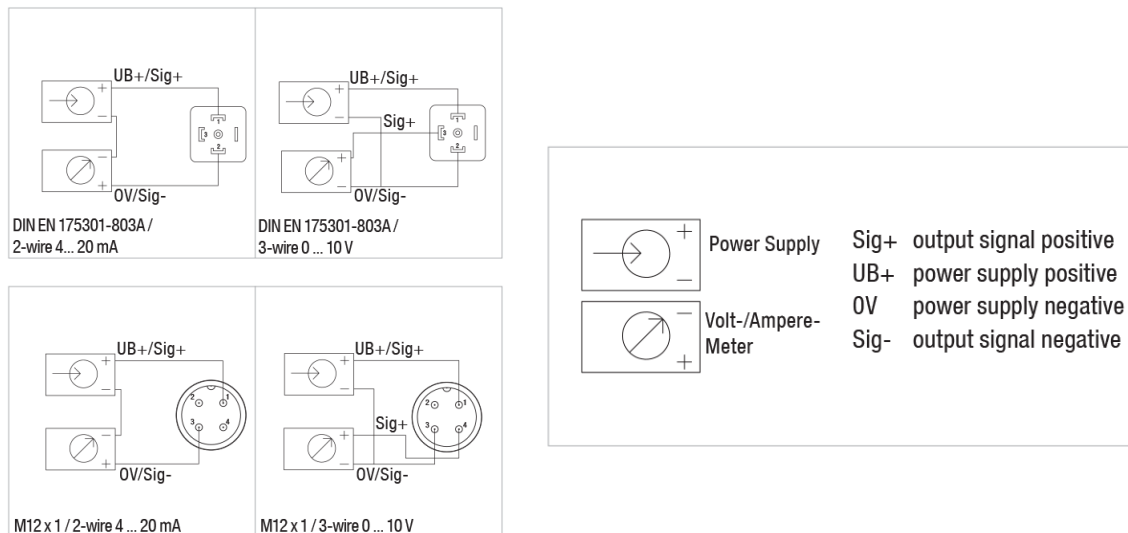
- M12 x 1
- 1/2 NPT and 7/16-20 UNF process connections
- Output signals 0...5 V, 0...10 V, 1...5 V and 0,5...4,5 V ratiometric on request
- Non-linearity $\leq \pm 0.25\%$ BFSL
- Environmental protection of IP 67 (IP 67 protection rating: Dust tight and protected against powerful water jets; even immersion (up to 1 m/3.28 ft in water is possible under defined conditions of pressure and time)
- Extended temperature option on request -30°C...100°C / -22°F...+212°F

Order Code


<p>1 Series and Type</p> <table border="0"> <tr> <td>Pressure Transmitter</td> <td>SPT</td> </tr> </table> <p>2 Flow Ranges</p> <table border="0"> <tr><td>0...1,03 bar / 0...15 PSI</td><td>P00015</td></tr> <tr><td>0...1,72 bar / 0...25 PSI</td><td>P00025</td></tr> <tr><td>0...2,07 bar / 0...30 PSI</td><td>P00030</td></tr> <tr><td>0...3,45 bar / 0...50 PSI</td><td>P00050</td></tr> <tr><td>0...6,89 bar / 0...100 PSI</td><td>P00100</td></tr> <tr><td>0...11,03 bar / 0...160 PSI</td><td>P00160</td></tr> <tr><td>0...13,79 bar / 0...200 PSI</td><td>P00200</td></tr> <tr><td>0...20,68 bar / 0...300 PSI (standard option)</td><td>P00300</td></tr> <tr><td>0...34,47 bar / 0...500 PSI (standard option)</td><td>P00500</td></tr> <tr><td>0...68,95 bar / 0...1000 PSI (standard option)</td><td>P01000</td></tr> <tr><td>0...103,42 bar / 0...1500 PSI (standard option)</td><td>P01500</td></tr> <tr><td>0...137,90 bar / 0...2000 PSI</td><td>P02000</td></tr> <tr><td>0...206,84 bar / 0...3000 PSI (standard option)</td><td>P03000</td></tr> <tr><td>0...344,74 bar / 0...5000 PSI (standard option)</td><td>P05000</td></tr> <tr><td>0...517,11 bar / 0...7500 PSI (standard option)</td><td>P07500</td></tr> <tr><td>0...689,48 bar / 0...10000 PSI</td><td>P10000</td></tr> </table>	Pressure Transmitter	SPT	0...1,03 bar / 0...15 PSI	P00015	0...1,72 bar / 0...25 PSI	P00025	0...2,07 bar / 0...30 PSI	P00030	0...3,45 bar / 0...50 PSI	P00050	0...6,89 bar / 0...100 PSI	P00100	0...11,03 bar / 0...160 PSI	P00160	0...13,79 bar / 0...200 PSI	P00200	0...20,68 bar / 0...300 PSI (standard option)	P00300	0...34,47 bar / 0...500 PSI (standard option)	P00500	0...68,95 bar / 0...1000 PSI (standard option)	P01000	0...103,42 bar / 0...1500 PSI (standard option)	P01500	0...137,90 bar / 0...2000 PSI	P02000	0...206,84 bar / 0...3000 PSI (standard option)	P03000	0...344,74 bar / 0...5000 PSI (standard option)	P05000	0...517,11 bar / 0...7500 PSI (standard option)	P07500	0...689,48 bar / 0...10000 PSI	P10000	<p>3 Process Connection</p> <table border="0"> <tr><td>G 1/4</td><td>B04</td></tr> <tr><td>1/4 NPT (standard option)</td><td>N04</td></tr> <tr><td>1/2 NPT</td><td>N08</td></tr> <tr><td>7/16 - 20 UNF</td><td>U04</td></tr> </table> <p>4 Signal Output</p> <table border="0"> <tr><td>4...20 mA, 2-wire (standard option)</td><td>420A</td></tr> <tr><td>0...10 V, 3-wire</td><td>010V</td></tr> <tr><td>0...5 V, 3-wire</td><td>05V</td></tr> <tr><td>1...5 V, 3-wire</td><td>15V</td></tr> <tr><td>0,5...4,5 V, ratiometric</td><td>0545V</td></tr> </table> <p>5 Electrical Connection</p> <table border="0"> <tr><td>DIN EN 175301-803A (DIN 43650-A)</td><td>DIN</td></tr> <tr><td>Standard option</td><td></td></tr> <tr><td>M12 x 1 / 4-Pin</td><td>M12</td></tr> </table> <p>6 Options</p> <table border="0"> <tr><td>$\leq \pm 0.5\%$ BFSL (standard option)</td><td>-</td></tr> <tr><td>$\leq \pm 0.25\%$ BFSL</td><td>A</td></tr> <tr><td>-30°C...+100°C / -22°F...+212°F</td><td>B</td></tr> </table> <p>7 Design Code</p> <table border="0"> <tr><td>For information only</td><td>X</td></tr> </table>	G 1/4	B04	1/4 NPT (standard option)	N04	1/2 NPT	N08	7/16 - 20 UNF	U04	4...20 mA, 2-wire (standard option)	420A	0...10 V, 3-wire	010V	0...5 V, 3-wire	05V	1...5 V, 3-wire	15V	0,5...4,5 V, ratiometric	0545V	DIN EN 175301-803A (DIN 43650-A)	DIN	Standard option		M12 x 1 / 4-Pin	M12	$\leq \pm 0.5\%$ BFSL (standard option)	-	$\leq \pm 0.25\%$ BFSL	A	-30°C...+100°C / -22°F...+212°F	B	For information only	X
Pressure Transmitter	SPT																																																																		
0...1,03 bar / 0...15 PSI	P00015																																																																		
0...1,72 bar / 0...25 PSI	P00025																																																																		
0...2,07 bar / 0...30 PSI	P00030																																																																		
0...3,45 bar / 0...50 PSI	P00050																																																																		
0...6,89 bar / 0...100 PSI	P00100																																																																		
0...11,03 bar / 0...160 PSI	P00160																																																																		
0...13,79 bar / 0...200 PSI	P00200																																																																		
0...20,68 bar / 0...300 PSI (standard option)	P00300																																																																		
0...34,47 bar / 0...500 PSI (standard option)	P00500																																																																		
0...68,95 bar / 0...1000 PSI (standard option)	P01000																																																																		
0...103,42 bar / 0...1500 PSI (standard option)	P01500																																																																		
0...137,90 bar / 0...2000 PSI	P02000																																																																		
0...206,84 bar / 0...3000 PSI (standard option)	P03000																																																																		
0...344,74 bar / 0...5000 PSI (standard option)	P05000																																																																		
0...517,11 bar / 0...7500 PSI (standard option)	P07500																																																																		
0...689,48 bar / 0...10000 PSI	P10000																																																																		
G 1/4	B04																																																																		
1/4 NPT (standard option)	N04																																																																		
1/2 NPT	N08																																																																		
7/16 - 20 UNF	U04																																																																		
4...20 mA, 2-wire (standard option)	420A																																																																		
0...10 V, 3-wire	010V																																																																		
0...5 V, 3-wire	05V																																																																		
1...5 V, 3-wire	15V																																																																		
0,5...4,5 V, ratiometric	0545V																																																																		
DIN EN 175301-803A (DIN 43650-A)	DIN																																																																		
Standard option																																																																			
M12 x 1 / 4-Pin	M12																																																																		
$\leq \pm 0.5\%$ BFSL (standard option)	-																																																																		
$\leq \pm 0.25\%$ BFSL	A																																																																		
-30°C...+100°C / -22°F...+212°F	B																																																																		
For information only	X																																																																		

Pressure Transmitter • Type SPT

Electrical Connections



Technical Data

Features Materials

- Body: 316 L Stainless Steel

Internal Transmission Fluid

- Silicone Oil (only pressure ranges up to 0...10 bar / 0...100 PSIG and 0...25 bar / 0...300 PSI absolute)

Fatigue Life

- 10 million load cycles maximum

Signal output and Maximum Load

- Signal 4...20 mA, 2-wire:
Power Supply 8...30 V DC
Ra <= (UB-10 V)/0,02A
- Signal 0...10 V, 3-wire:
Power supply 14...30 V DC
Ra > 10kΩ
- Signal 0...5 V, 3-wire:
Power supply 8...30 V DC
Ra > 5kΩ
- Signal 1...5 V, 3-wire:
Power supply 8...30 V DC
Ra > 5kΩ
- Signal 0,5...4,5 V, ratiometric:
Power supply 8...30 V DC
Ra > 4,5kΩ

Isolation Voltage

- 500 V DC

Response Time

- < 4 ms

Current Consumption

- Signal current:
(max. 25 mA) for current output,
(max. 8 mA) for voltage output

Non-linearity

- ≤ ±0,5% (BFSL) or optional ≤ ±0,25% (BFSL)

Accuracy

- ≤ ±1,0% FS* (with non-linearity 0,5%)*
- ≤ ±0,5% FS* (with non-linearity 0,25%)*
- ≤ ±0,6% FS* (with non-linearity 0,25% and signal output 0...5 V)*

* (Includes non-linearity, hysteresis, zero point and full scale error)

Zero Offset

- ≤ 0,15 typ. % FS*; ≤ 0,4 max. % of span (non-linearity 0,25%)
- ≤ 0,5 typ. % FS*; ≤ 0,8 max. % of span (non-linearity 0,25%)

Hysteresis

- ≤ 0,16 % FS*

Non-Repeatability

- ≤ 0,1 % FS*

Long Term Drift

- ≤ 0,1 % FS*

Signal Noise

- ≤ 0,3% FS*

Permissible Temperatures (Standard)

- Media: 0°C...+80°C / +32°F...+176°F
- Ambient: 0°C...+80°C / +32°F...+176°F
- Storage: -20°C...+80°C / -4°F...+176°F
- Operating temp range: 0°C...+80°C / +32°F...+176°F

Permissible Temperatures (Extended Temperature Option)

- Media: -30°C...+100°C / -22°F...+212°F
- Ambient: -30°C...+100°C / -22°F...+212°F
- Storage: -30°C...+100°C / -22°F...+212°F

Electrical Connection

- DIN EN 175301-803A (DIN 43650-A) and M12 x 1 / 4-Pin

Process Connection

- G1/4, 1/4 NPT, 1/2 NPT, 7/16-20 UNF

Temperature Error within Compensated Temperature Range

- ≤ 1,0 typ. % FS* ≤ 2,5 max. % FS*

CE Conformity

Pressure Equipment Directive

- 97/23/EC

EMC Directive

- 89/336/EWG emission (class B) and immunity according to EN 61 326

Shock Resistance

- 500g according to IEC 60068-2-27 (mechanical shock)

Vibration Resistance

- 10g according to IEC 60068-2-6 (vibration under resonance)

Wiring Protection

- Over voltage protection: 32 V DC; 36 V DC with 4...20 mA
- Short circuit protection: Sig+ to UB-
- Reverse polarity protection: UB+ to UB-

Test Reference Conditions

- Relative humidity: 45...75%
- Temperature: +15°C...+25°C / +59°F...+77°F
- Atmospheric pressure: 86...106 kPa / 25,4...31,3 inhg

RoHS-conformity

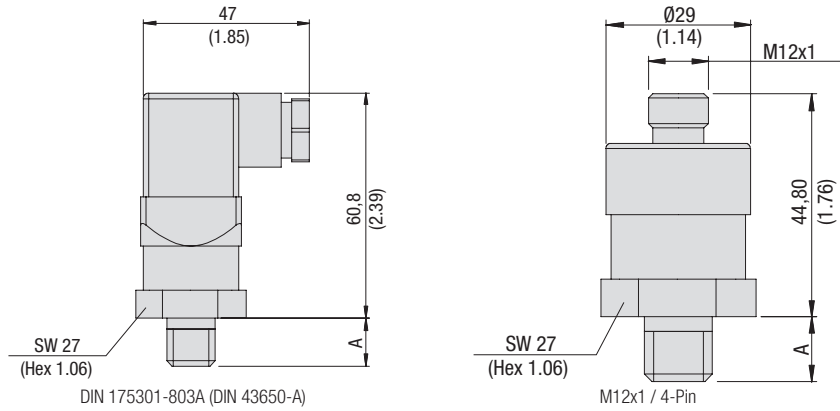
- Yes

Weight

- Approximately 80g / 2.8oz

Protection Rating

- DIN EN 175301-803A (DIN 43650-A): IP 65 protection rating: Dust tight and protected against water jets
- M 12 x 1: IP 67 protection rating: Dust tight and protected against powerful water jets; even immersion (up to 1 m/3.28 ft) in water is possible under defined conditions of pressure and time


Dimensions

Version	A (mm/in)	Process Connection
B04	14,0	G 1/4
	.55	
N04	13,0	1/4 NPT
	.51	
N08	19,0	1/2 NPT
	.75	
U04	9,1	7/16-20 UNF
	.36	

Pressure Ranges

Version	Pressure Range (bar/psi)	Maximum Pressure** (bar/psi)	Burst Pressure*** (bar/psi)
P00015	0...1,03	2,07	5,17
	0...15	30	75
P00025	0...1,72	4,14	10,34
	0...25	60	150
P00030	0...2,07	4,14	10,34
	0...30	60	150
P00050	0...3,45	6,89	17,24
	0...50	100	250
P00100	0...6,89	13,79	34,47
	0...100	200	500
P00160	0...11,03	20,00	34,47
	0...160	290	500
P00200	0...13,79	27,58	103,42
	0...200	400	1500
P00300*	0...20,68	41,37	103,42
	0...300	600	1500
P00500*	0...34,47	68,95	172,37
	0...500	1000	2500
P01000*	0...68,95	119,97	549,86
	0...1000	1740	7975
P01500*	0...103,42	199,95	799,79
	0...1500	2900	11600
P02000	0...137,90	275,79	999,74
	0...2000	4000	14500
P03000*	0...206,84	413,69	1199,70
	0...3000	6000	17400
P05000*	0...344,74	689,48	1699,60
	0...5000	10000	24650
P07500*	0...517,11	1199,70	2399,40
	0...7500	17400	34800
P10000	0...689,48	1199,70	2399,40
	0...10000	17400	34800

Note:

- Absolute pressure: 0...1,03 bar up to 20,68 bar
0...15 PSI up to 0...300 PSI

* Standard option

** Maximum pressure, causing no permanent changes in specifications but may lead to zero point and span shifts

*** Burst pressure, leading to permanent changes in specifications or destruction of the transmitter

Flow Indicator • Type SDM

Product Description

Flow, pressure and temperature measuring of fluids (mobile and industrial hydraulics).

Features

- Suitable for Mineral Oil (Aluminum), HFC Fluids and Water (Bronze)
- Designed for in-line installation
- Mechanical flow measurement
- Flow indication in l/min and GPM for Aluminum units, Bronze units have flow indication for Water and Oil both in l/min
- Aluminum unit: Dual scale
- Bronze unit: Single scale
- Thread to connect with pressure gauge
- Other thread available see Online STAUFF Diagtronics Catalog

Technical Data

Accuracy

(at a kinematic of 28 cSt)

- Flow: $\pm 4\%$ FSD
- Temperature: $\pm 2,5^\circ\text{C} / \pm 5^\circ\text{F}$
- Temp. measuring range: $12,5^\circ\text{C} \dots 117,5^\circ\text{C} / +55^\circ\text{F} \dots +245^\circ\text{F}$



Order Code

SDM - 750N - A - 016 - T

①

②

③

④

⑤

①

Series and Type

Flow Indicator Type SDM SDM

②

Size

750N (SDM) 750N
1500S (only SDM) 1500S

③

Housing Material

Aluminium A
Bronze (only SDM) B

④

Flow Ranges

See Table on page 45

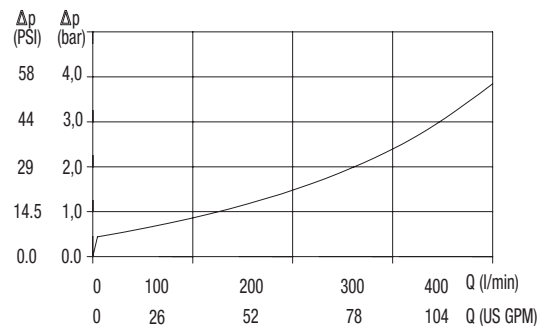
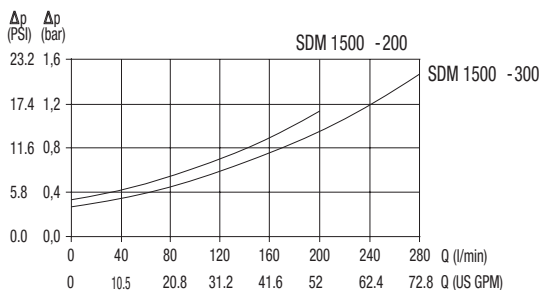
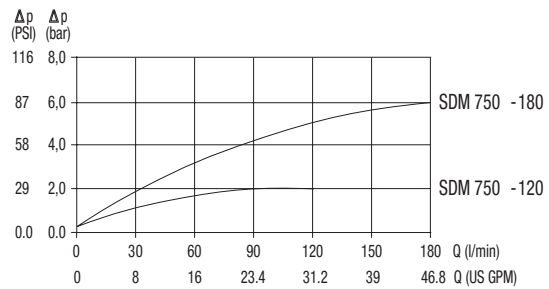
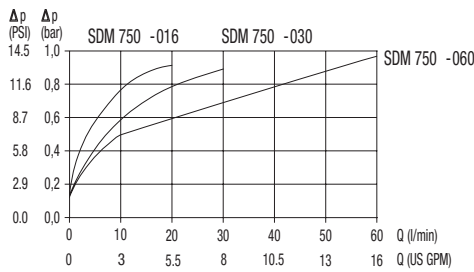
⑤

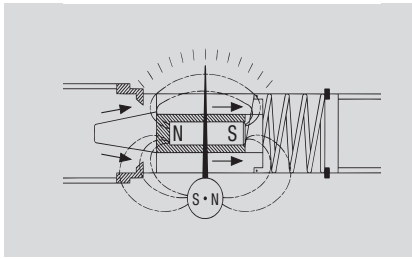
Thermometer

With integrated thermometer T
(standard option)

Flow Curves

Curves refer to kinematic viscosity of 28cSt.





Functional Principal Flow Measuring

The flow indicators SDM have a sharp-edged orifice and a tapered metering piston, which moves in proportion to changes of flow against a spring. In no flow condition the piston closes the opening and the needle indicates zero.

With increasing flow and differential pressure the piston moves against the calibrated spring. The piston movement is directly proportional to the flow rate and is magnetically coupled to the rotary pointer. During this function the sharp-edged orifice minimizes the effects of viscosity. The flow is shown on a calibrated scale in l/min and gal/min.

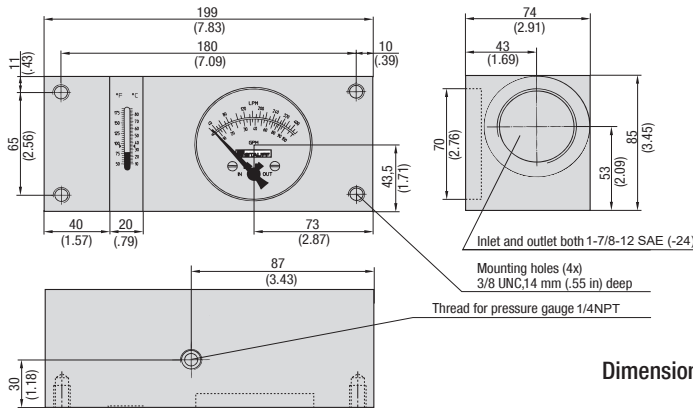
Technical Data

Order Codes	Max. Working Pressures (bar/PSI)	Flow Range Aluminum Units (l/min/US GPM)	Flow Range Bronze Units *	Weight (kg/lbs)	Connection
SDM-750N-A-016-T	420	2 - 16	-	1,36	3/4NPT
	6091	0.5 - 4	-	3.0	
SDM-750N-A-030-T	420	2 - 30	-	1,36	3/4NPT
	6091	0.5 - 8	-	3.0	
SDM-750N-A-060-T	420	2 - 60	-	1,36	3/4NPT
	6091	0.5 - 16	-	3.0	
SDM-750N-A-120-T	420	4 - 120	-	1,36	3/4NPT
	6091	1 - 32	-	3.0	
SDM-750N-A-180-T	420	10 - 180	-	1,36	3/4NPT
	6091	4 - 48	-	3.0	
SDM-750N-B-030-T	420	-	2 - 30 l/min in oil	3,80	3/4NPT
	6091	-	2 - 30 l/min in water	8.40	
SDM-750N-B-060-T	420	-	3 - 60 l/min in oil	3,80	3/4NPT
	6091	-	3 - 70 l/min in water	8.40	
SDM-750N-B-120-T	420	-	4 - 120 l/min in oil	3,80	3/4NPT
	6091	-	4 - 140 l/min in water	8.40	
SDM-1500S-A-200-T	350	10 - 200	-	3,0	1-7/8-12 SAE
	5075	5 - 50	-	6.61	
SDM-1500S-A-300-T	350	20 - 300	-	3,0	1-7/8-12 SAE
	5075	4 - 80	-	6.61	
SDM-1500S-A-400-T	350	20 - 400	-	3,0	1-7/8-12 SAE
	5075	5 - 100	-	6.61	
SDM-1500S-B-200-T	350	-	10 - 200 l/min in oil	8,0	1-7/8-12 SAE
	5075	-	10 - 200 l/min in water	17.64	
SDM-1500S-B-400-T	350	-	20 - 400 l/min in oil	8,0	1-7/8-12 SAE
	5075	-	20 - 400 l/min in water	17.64	

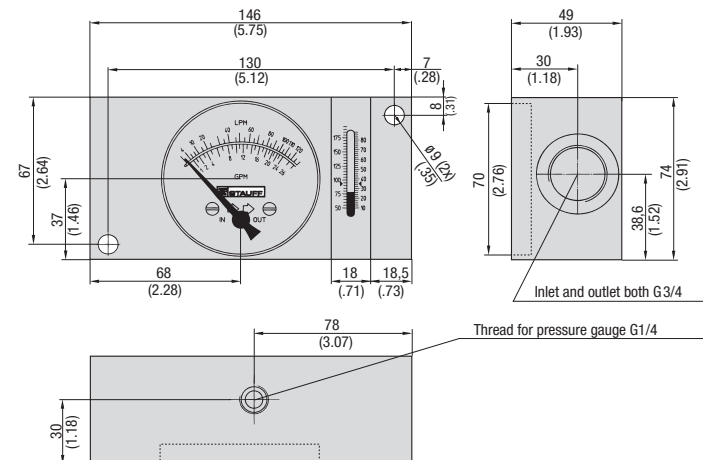
* The Bronze units have a scale for water and oil - both in l/min.

Dimensional drawings: All dimensions in mm (in)

Dimensions SDM-1500



Dimensions SDM-750





Return Line Filter • Type RTF-30

Product Description

The STAUFF RTF-30 series Return Line Filters are designed as tank top filters with a maximum operating pressure of 10 bar (145 PSI) and flows up to 152 l/min (40 US GPM). The filter bowl is designed to return the oil beneath the surface thus preventing entrainment of air. The RTF-30 series compact design and integral breather makes them ideal for mobile hydraulic applications.

Technical Data
Construction

- Tank top flange mounting

Materials

- Filter head: Die cast aluminum
- Element bowl and screw cap: Polyamide
- Seals: O-rings NBR (Buna-N®), FPM (Viton®)
- Integrated breather: Filter paper 10 or 40 µm
- By-pass valve (integrated in the filter element): Allows unfiltered oil to by-pass the contaminated element once the opening pressure has been reached. Opening pressure 1.7 bar (25 PSI).
- Clogging indicators: Gauge indicator 0-6.9 bar (0-100 PSI) with colored segments; Electrical, 0.35-2.5 bar (5-35 PSI) adjustable
- Filter elements: Flow characteristics see page 48

Port Connections

- NPT
- SAE O-ring thread

Flow Rating

- Up to 152 l/min / 40 US GPM for 32 cSt / (150 SUS) fluids

Operating pressure

- Max. 10 bar / 145 PSI

Test Pressure

- Min. 24 bar / 350 PSI

Temperature Range

- -25°C...+100°C / -13°F...+212°F

Media Compatibility

- Mineral oils, other fluids on request

For clogging Indicators see Online STAUFF Filtration Technology Catalog.

Order Code for Filter Housing

RTF	30	D	10	B	N12	V	L10	D
1	2	3	4	5	6	7	8	9

1 Type

Return Line Filter	RTF
--------------------	-----

2 Group/ Bowl Length

110mm (4.33 in) bowl length	30
175mm (6.89 in) bowl length	31
275mm (10.83 in) bowl length	32

3 Filter Material

Material	Max. ΔP* collapse	Micron ratings available	Code
Filter Paper	10 bar / 150 PSI	10	D
Inorganic Glass Fiber	10 bar / 150 PSI	06, 10, 20	G

4 Micron Rating

06 µm	06
10 µm	10
20 µm	20

5 Seal Material

NBR (Buna-N®)	B
FPM (Viton®)	V

6 Connection Style

NPT ¼"	N12
NPT 1"	N16
SAE O-Ring Thread 1- ¹ / ₁₆ "-12 UN	U12
SAE O-Ring Thread 1- ⁵ / ₁₆ "-12 UN	U16

7 Clogging Indicator

Without clogging indicator	0
Visual	V
Electric	E

8 Breather

10 µm paper (Standard option)	L10
40 µm paper	L40

9 Dipstick

Without Dipstick (Standard option)	-
Dipstick	D

Order Code for Filter Elements

RTE	30	D	10	B	B1.7
1	2	3	4	5	6

1 Series

RTE	RTE
-----	-----

2 Group

According to filter housing (See above)	30
---	----

3 Filter Material

Material	Max. ΔP* collapse	Micron ratings available	Code
Filter Paper	10 bar / 150 PSI	10	D
Inorganic Glass Fiber	10 bar / 150 PSI	06, 10, 20	G

4 Micron Rating

06 µm	06
10 µm	10
20 µm	20

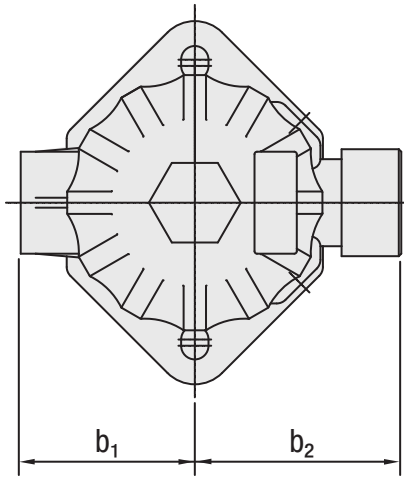
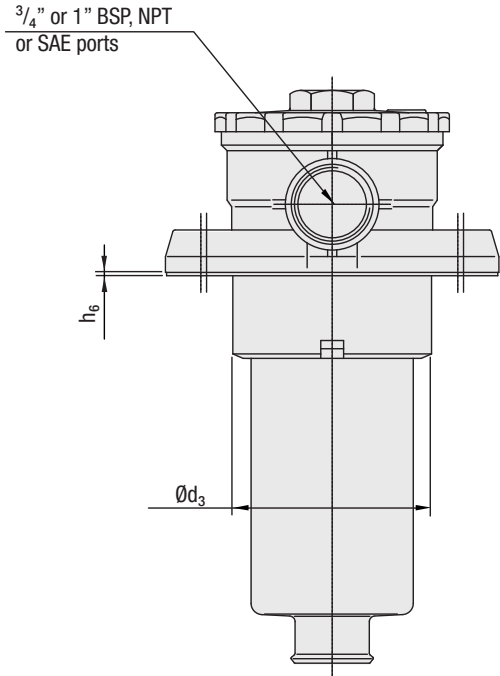
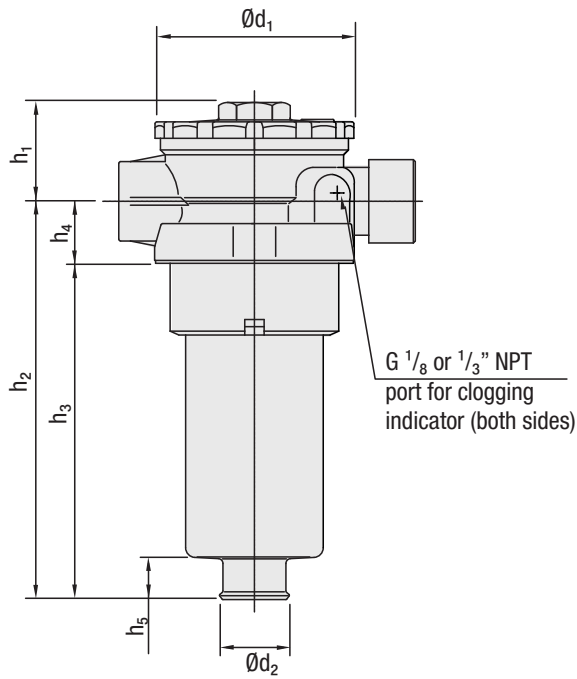
5 Sealing Material

NBR (Buna-N®)	B
FPM (Viton®)	V

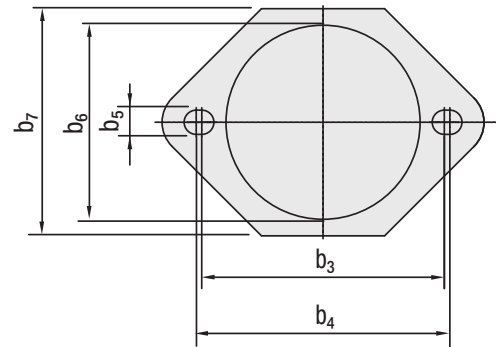
6 Bypass

1,7 bar/25 PSI	B1.7
----------------	------

Return Line Filter • Type RTF-30



Mounting details (bottom view)



Filter Size	Dimensions (mm/in)															
	h_1	h_2	h_3	h_4	h_5	h_6	d_1	d_2	d_3	b_1	b_2	b_3	b_4	b_5	b_6	b_7
RTF-30		140 (5.51)	110 (4.33)													
RTF-31	60 (2.36)	205 (8.07)	175 (6.89)	30 (1.18)	22 (0.87)	1,5 (0.06)	104 (4.09)	36 (1.42)	min 87 max 91 (min 3.43) (max 3.58)	70 (2.76)	83 (3.27)	110 (4.33)	115 (4.53)	11 (0.43)	min 87 max 91 (min 3.43) (max 3.58)	103 (4.06)
RTF-32		305 (12.01)	275 (10.83)													

Pressure Filter • Type SIF-48

Product Description

The STAUFF SIF48 series pressure filters are designed for in-line hydraulic applications with a maximum operating pressure of 345 bar / 5000 PSI. The element is changed from the top, which minimizes oil spillage.

The SIF48 series pressure filter meets HF4 Automotive Standard.

Technical Data
Construction

- In-line assembly, top loading, base mounted

Materials

- Filter base and cap: Ductile iron
- Element case: Steel
- Seals: O-rings NBR (Buna-N®), FPM (Viton®)

Port Connections

- BSP
- NPT
- SAE O-ring thread
- SAE code 61 flange or sub-plate

Flow Rating

- Up to 380 l/min / 100 US GPM for 32 cSt / 150 SUS fluids, with 2" porting, 570 l/min / 150 US GPM

Operating pressure

- Max. 345 bar / 5000 PSI

Burst Pressure

- Min. 1035 bar / 15000 PSI

Temperature Range

- -29°C...+107°C / -20°F...+225°F

Filter Elements

- Specifications see page 50.

Media Compatibility

- Mineral oils, other fluids on request

Options and Accessories
Valve

- Bypass valve: Allows unfiltered oil to bypass the contaminated element once the opening pressure has been reached
- Bypass setting: 2,8 bar / 40 PSI

Clogging Indicator

- Standard actuating pressure: 2,4 bar / 35 PSI
- Available indicators: Visual, Electrical

Order Code for Filter Housing

SIF	-	48	-	U24	-	G	-	10	-	B	-	S2	-	N
1		2		3		4		5		6		7		8

1 Type

Pressure Filter SIF

2 Group/ Bowl Length

Up to 380 l/min / 100 US GPM for 32 cSt / 150 SUS fluids, with 2" porting
570 l/min / 150 US Gpm 48

3 Connection Style

BSP 1-1/2"	G24
SAE O-Ring Thread 1-7/8-12 UN	U24
NPT 1-1/2"	N24
NPT 2"	N32
Code 62 Flange 1-1/2" SAE	C624U
Sub-plate	SUB

4 Filter Material

Material	Max. ΔP* collapse	Micron ratings available	Code
Filter Paper	10 bar / 150 PSI	03, 10, 25	D
Inorganic Glass Fiber	10 bar / 150 PSI	03, 05, 10, 25	G

5 Micron Rating

03 μm	03
05 μm	05
10 μm	10
25 μm	25

6 Seal Material

NBR (Buna-N®)	B
FPM (Viton®)	V

7 Bowl Length

Single Element	S1
Double Element	S2
Triple Element	S3

8 Clogging Indicator

Without clogging indicator	N
Visual	V
Electric	E

Order Code for Filter Elements

RTE	-	48	-	G	-	10	-	B	-	S2
1		2		3		4		5		6

1 Series

RTE RTE

2 Group

Up to 380 l/min / 100 US GPM for 32 cSt / 150 SUS fluids with 2" porting 570 l/min / 150 US GPM 48

3 Filter Material

Material	Max. ΔP* collapse	Micron ratings available	Code
Filter Paper	10 bar / 150 PSI	03, 10, 25	D
Inorganic Glass Fiber	10 bar / 150 PSI	03, 05, 10, 25	G

4 Micron Rating

03 μm	03
05 μm	05
10 μm	10
25 μm	25

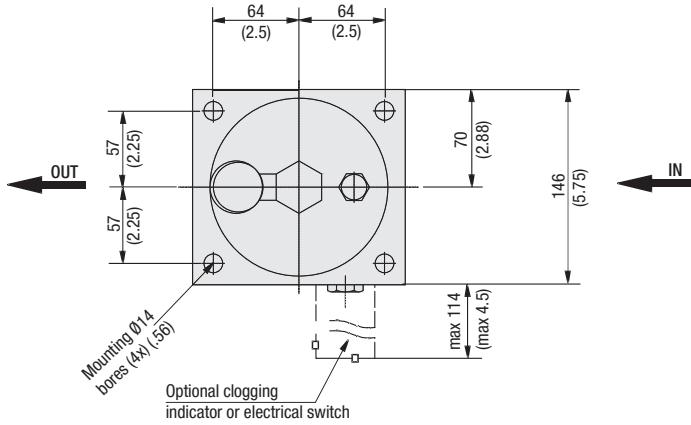
5 Seal Material

NBR (Buna-N®)	B
FPM (Viton®)	V

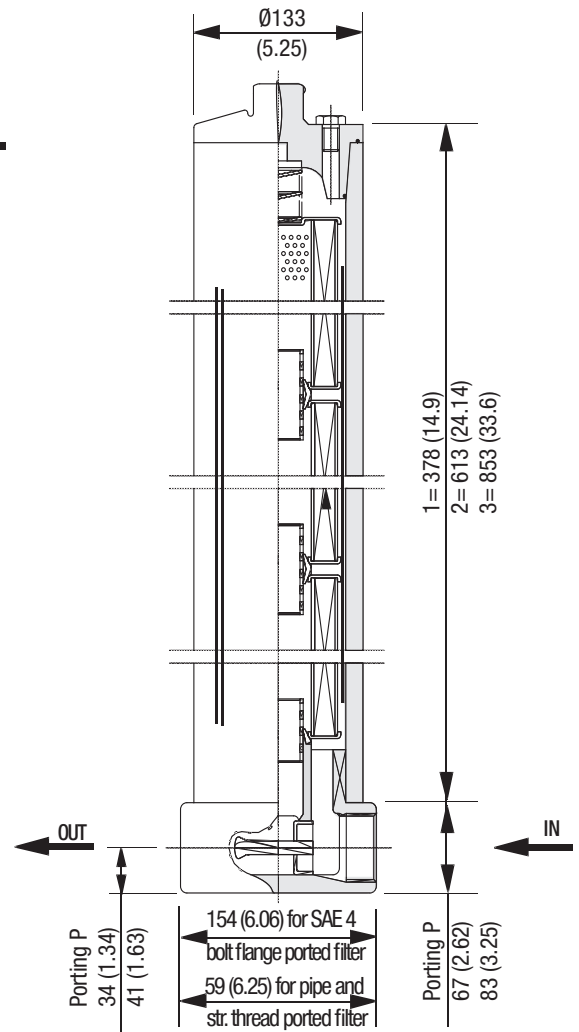
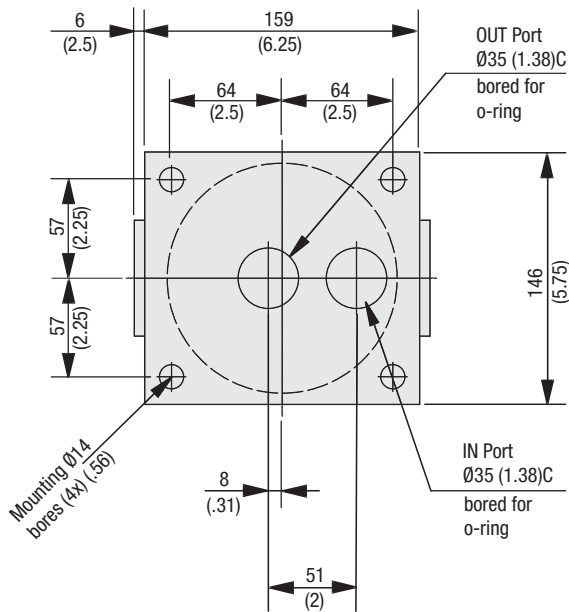
6 Bowl Length

Single Element	-
Double Element	S2
Triple Element	S3

Pressure Filter • Type SIF-48



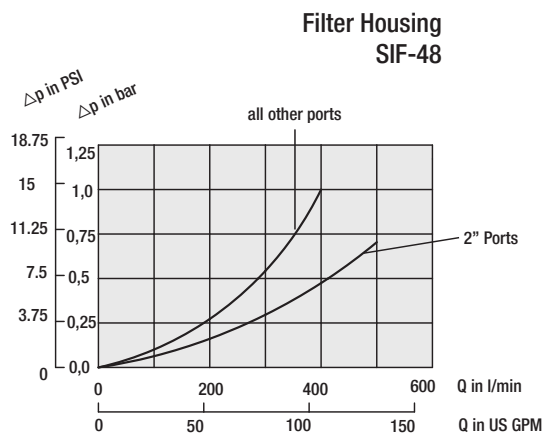
Optional Subplate porting



Dimensions in mm (inches)

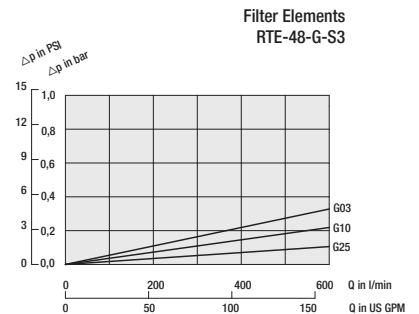
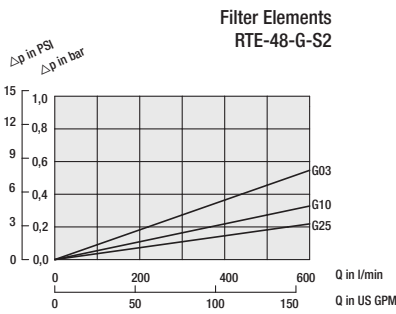
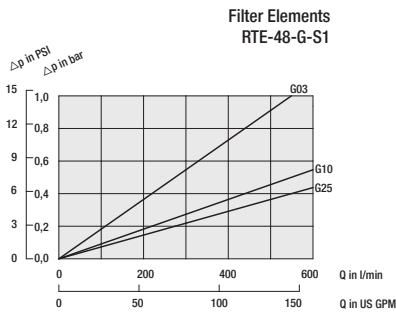
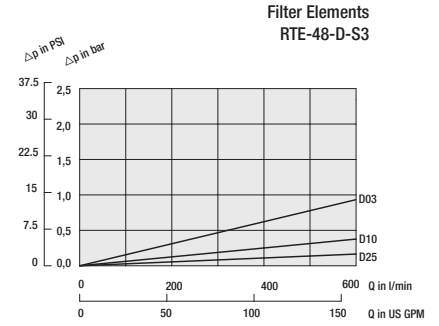
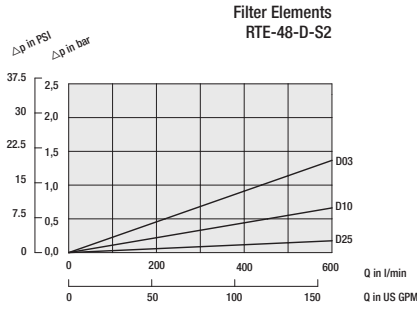
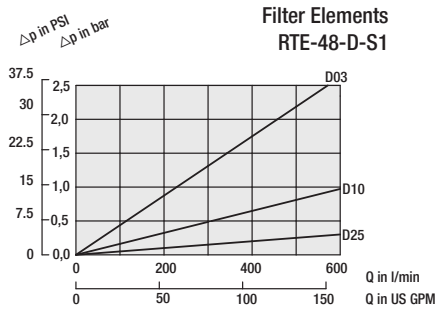
Flow Characteristics for SIF-48

The following characteristics are valid for mineral oils with a density of 0,85 kg/dm³ and the kinematic viscosity of 30 mm²/s (30 cSt). The characteristics have been determined in accordance to ISO 3968. Multi-pass filter ratings have been obtained in accordance to ISO 16889. Consult STAUFF for details.



Pressure Filter • Type SIF-48

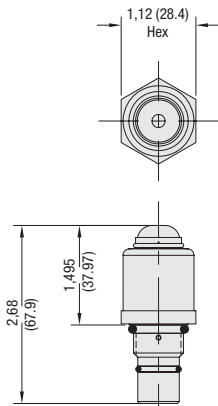
Flow Characteristics for SIF-48



Clogging Indicators for SIF-48 • Type HI-48

Visual Clogging Indicator

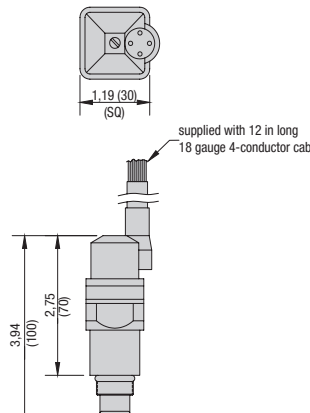
Part number HI-48-V is a mechanical magnetic cartridge with a highly visible red disk that pops up at 2,4 bar / 35 PSI. Once activated the red signal continues to indicate a bypass condition until it is manually reset.



Dimensions in mm (inches)

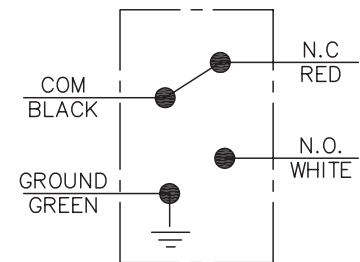
Electrical Clogging Indicator

Part number HI-48-E are used when an electrical signal is needed to indicate when the element needs changing. The solid state switch is activated at 2,4 bar / 35 PSI. The indicators are supplied with 305 mm / 12 in long 4 wire cable, and meet NEMA4 and IP65 specifications.



Electrical Clogging Indicator - HI-48-E Ratings

	AC Ratings	DC Ratings
Voltage	max 240 V AC	max 100 V DC
Wattage	max 720 Watts	max 50 Watts
Current	0.10 to 6 amps	0.01 to 2 amps
Contact Type	solid state	solid state



Order Code

HI - 48 - V

- 1** Type

Clogging Indicator HI
- 2** Series

SIF-48 Series 48
- 3** Indicator Type

Visual V

Electrical E

Return Line Filter • Type RIF-300



Product Description

The STAUFF RIF-300 Return Line Filters are designed for in-line hydraulic applications with a maximum working pressure of 34,5 bar / 500 PSI. Used together with STAUFF Filter Elements, a high efficiency of contaminant removal is assured.

Technical Data

Construction

- In-line assembly

Materials

- Filter head: Aluminum
- Filter bowl: Steel
- Filter cover: Cast Iron
- Sealings: NBR (Buna-N®), FPM (Viton®), other sealing materials on request

Port Connections

- SAE code 61 flange

Flow Rating

- Up to 1135 l/min / 300 US GPM

Operating pressure

- Max. 34,5 bar / 500 PSI

Burst Pressure

- Min. 103 bar / 1500 PSI

Temperature Range

- -10°C...+100°C / -14°F...+212°F

Filter Elements

- Specifications see page 53.

Media Compatibility

- Mineral oils, other fluids on request

Options and Accessories

Valve

- Bypass valve (integrated in the filter element): Opening pressure 3,4^{+0,35} bar / 50⁺⁵ PSI. Allows unfiltered oil to bypass the contaminated element once the opening pressure has been reached. Other settings available on request.

Clogging Indicator

- Visual clogging indicator: 2,4 bar / 35 PSI
- Visual-electrical clogging indicator: 2,4 bar / 35 PSI

Other clogging indicators available on request

Order Code for Filter Housing

RIF	-	300	-	E	-	10	-	B	-	C340U	-	B	-	V
①		②		③		④		⑤		⑥		⑦		⑧

① Type

Return Line Filter	RIF
--------------------	-----

② Group

With standard element	300
-----------------------	-----

③ Filter Material

Material	Max. ΔP* collapse	Micron ratings available	Code
Without filter element	-	-	-
Inorganic Glass Fiber	30 bar / 435 PSI	03, 05, 10, 20	E
Water Removal	6,9 bar / 100 PSI	10	EW

④ Micron Rating

03 μm	03
05 μm	05
10 μm	10
20 μm	20

⑤ Seal Material

NBR (Buna-N®)	B
FPM (Viton®)	V

⑥ Connection Style

Code 61 Flange 2-1/2" SAE (UNC Thread)	C340U
--	-------

⑦ Valve

Without valve	0
With bypass valve 3,4 bar / 50 PSI	B

⑧ Clogging Indicator

Without clogging indicator	-
Visual	V
Electric	E

Order Code for Filter Elements

SP	-	300	-	E	-	10	-	B
①		②		③		④		⑤

① Type

Filter Element Series	SP
-----------------------	----

② Group

According to filter housing (See above)	300
---	-----

③ Filter Material

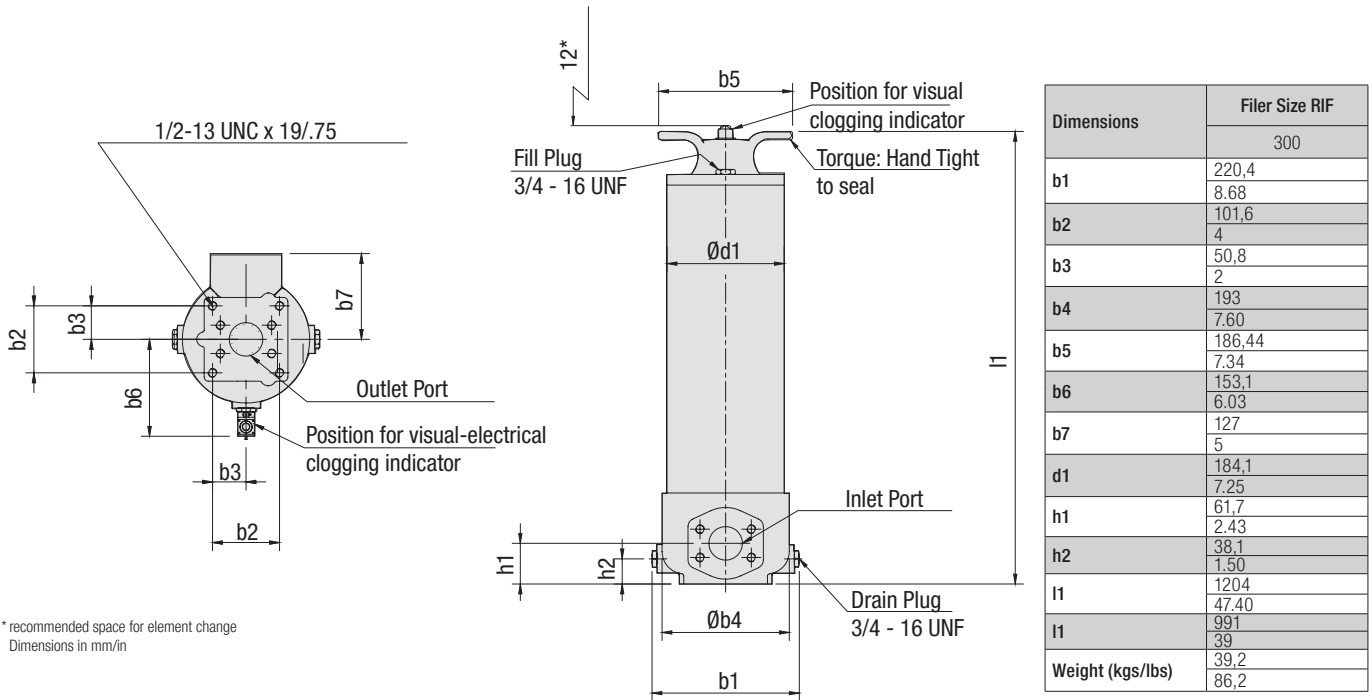
Material	Max. ΔP* collapse	Micron ratings available	Code
Inorganic Glass Fiber	30 bar / 435 PSI	03, 05, 10, 20	E
water removal	6,9 bar / 100 PSI	10	EW

④ Micron Rating

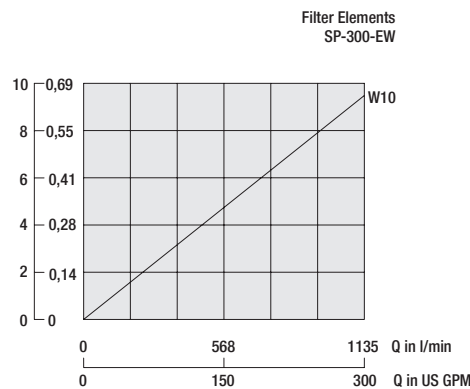
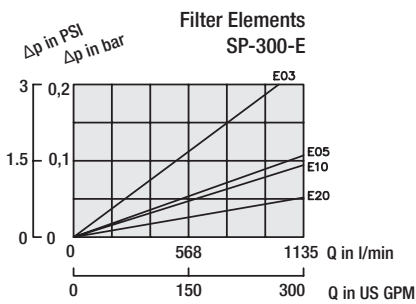
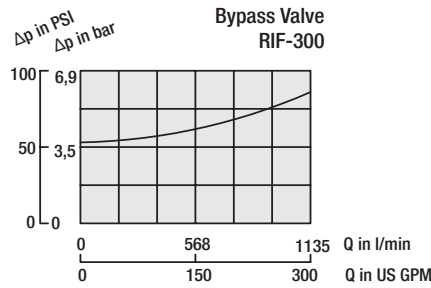
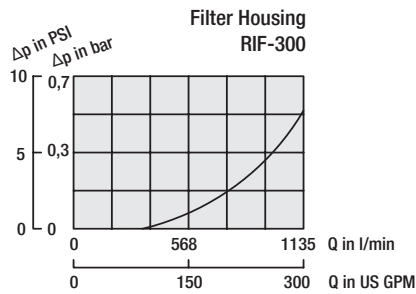
3 μm	03
5 μm	05
10 μm	10
20 μm	20

⑤ Seal Material

NBR (Buna-N®)	B
FPM (Viton®)	V


Flow Characteristics for RIF-300

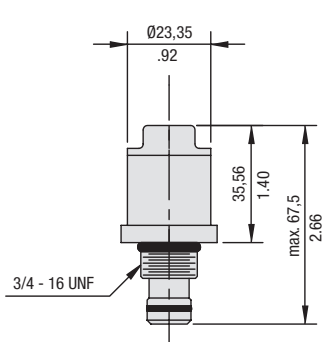
The following characteristics are valid for mineral is with a density of 0,85kg/dm³ and the kinematic viscosity of 30 mm²/s (30cSt). The characteristics have been determined in accordance to ISO 3968. Multi-pass filter ratings have been obtained in accordance to ISO 16889. The housing pressure drop is directly proportional to the oil density. Consult STAUFF for details.



Clogging Indicators for RIF-300 • Type HIR-48

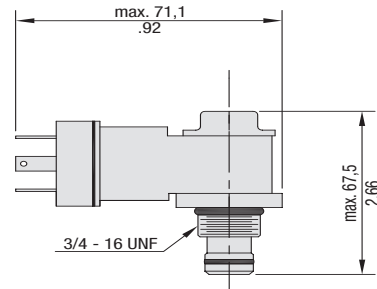
Visual Clogging Indicator

Part number HIR-V is a clogging indicator actuated by the differential pressure across the filter element. The actuating pressure of 2,4 bar/ 35 PSI allows the dirty element to be changed before the bypass setting of 3,4 bar/ 50 PSI is reached.



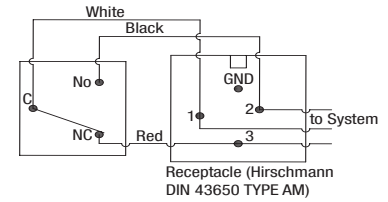
Visual/Electrical Clogging Indicator

Part number HIR-VE is used when an electrical signal is needed to indicate when the element needs changing. It is actuated by the differential pressure across the filter element. The actuating pressure 2,4 bar/ 35 PSI allows the dirty element to be changed before the bypass setting of 3,4 bar/ 50 PSI is reached.



HIR-VE Rated Capacity

- 4 A inductive
- 7 A 28 V DC resistive
- 7 A 250 V AC



Note: The female plug (connector) is to be furnished by the customer.

Installation: Lubricate both o-rings supplied with the indicator. Install in the cavity and torque to 41...47 Nm / 30...-ft-lbs

Order Code

HIR - V

①

②

① Type

Clogging Indicator for RIF-300

HIR

② Visual/Electric

Visual

Visual-electrical

V

VE

Return Line Filter • Type RIF-48

Product Description

The STAUFF RIF-48 series return filters are designed for in-line hydraulic applications with a maximum opening pressure of 20 bar / 300 PSI.

The RIF-48 series in-line filter meets HF4 Automotive Standard.

Technical Data
Construction

- In-line assembly

Materials

- Filter head: Die Cast Aluminum
- Element case: Steel
- Seals: NBR (Buna-N®), FPM (Viton®)

Port Connections

- BSP
- NPT
- SAE O-ring thread
- SAE code 61 flange

Flow Rating

- Up to 380 l/min / 100 US GPM for 32 cSt / (150 SUS) fluids

Operating pressure

- Max. 20 bar / 300 PSI

Burst Pressure

- Min. 70 bar / 1000 PSI

Temperature Range

- -29°C...+107°C / -20°F...+225°F

Filter Elements

- Specifications see page 56

Media Compatibility

- Mineral oils, other fluids on request

Options and Accessories
Valve

- Bypass valve: Allows unfiltered oil to bypass the contaminated element once the opening pressure has been reached
- Bypass setting: 2,8 bar / 40 PSI

Clogging Indicator

- Standard actuating pressure: 2,4 bar / 35 PSI
- Available indicators: Visual, Electrical

Order Code for Filter Housing

RIF	48	U24	G	10	B	S1	N
1	2	3	4	5	6	7	8

1 Type

Return Line Filter **RIF**

2 Group/ Bowl Length

Up to 380 l/min / 100 US GPM for 32 cSt / 150 SUS fluids, with 2" porting
570 l/min / 150 US Gpm **48**

3 Connection Style

BSP 1-1/2"	G24
SAE O-Ring Thread 1-7/8"-12 UN	U24
NPT 1-1/2"	N24
Code 62 Flange 1-1/2" SAE	C624

4 Filter Material

Material	Max. ΔP* collapse	Micron ratings available	Code
Filter Paper	10 bar / 150 PSI	03, 10, 25	D
Inorganic Glass Fiber	10 bar / 150 PSI	03, 10, 25	G

5 Micron Rating

03 μm	03
10 μm	10
25 μm	25

6 Seal Material

NBR (Buna-N®)	B
FPM (Viton®)	V

Note: other sealing materials on request

7 Bowl Length

Single Element	S1
Double Element	S2
Triple Element	S3

8 Clogging Indicator

Without clogging indicator	N
Visual	V
Electric	E

Order Code for Filter Elements

RTE	48	G	10	B
1	2	3	4	5

1 Series

Return Line Filter **RTE**

2 Group

Up to 380 l/min / 100 US GPM for 32 cSt / 150 SUS fluids, with 2" porting
570 l/min / 150 US Gpm **48**

3 Filter Material

Material	Max. ΔP* collapse	Micron ratings available	Code
Filter Paper	10 bar / 150 PSI	03, 10, 25	D
Inorganic Glass Fiber	10 bar / 150 PSI	03, 10, 25	G

4 Micron Rating

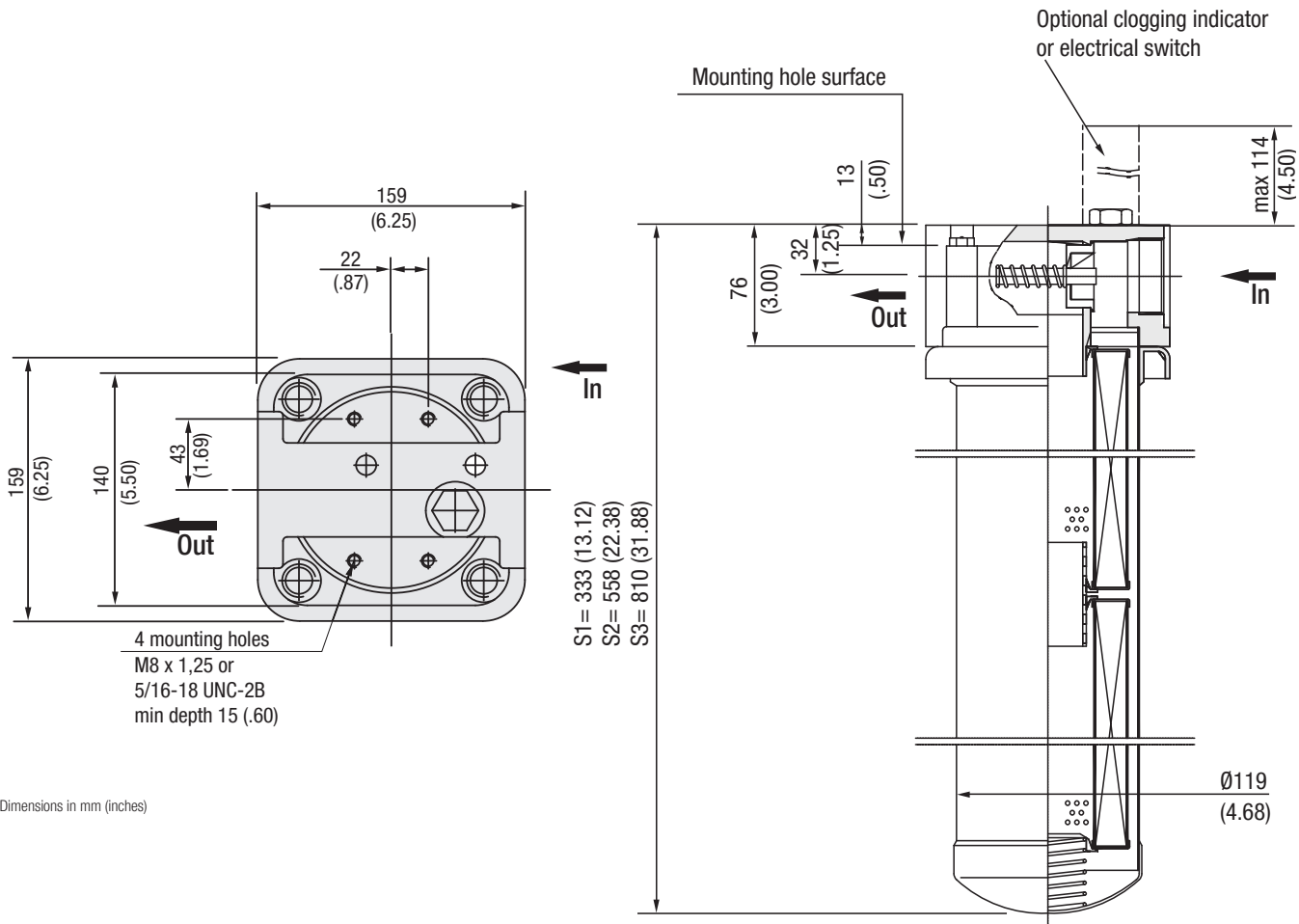
03 μm	03
10 μm	10
20 μm	20

5 Seal Material

NBR (Buna-N®)	B
FPM (Viton®)	V

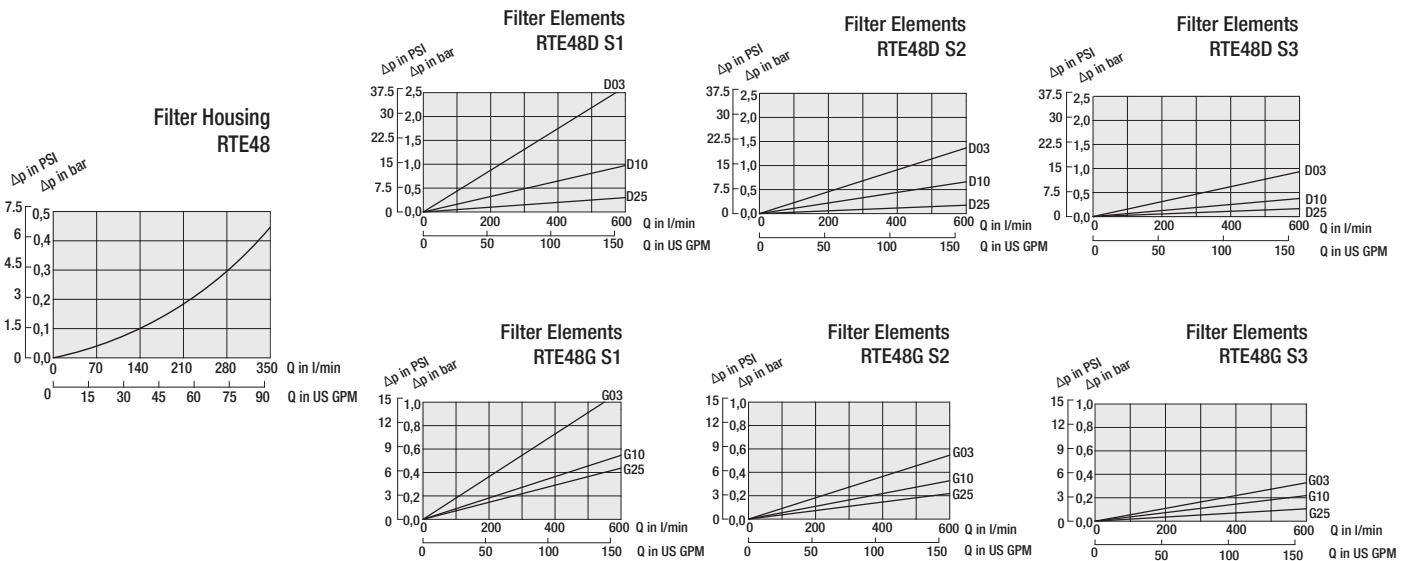
Note: other sealing materials on request

Return Line Filter • Type RIF-48



Flow Characteristics for RIF-48

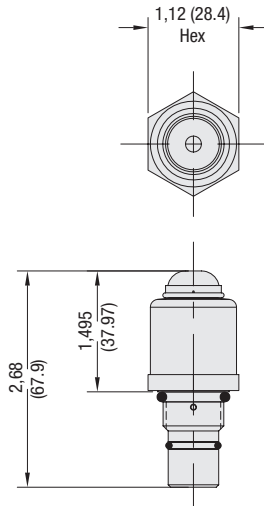
The following characteristics are valid for mineral oils with a density of 0,85 kg/dm³ and the kinematic viscosity of 30 mm²/s (30 cSt). The characteristics have been determined in accordance to ISO 3968. Multi-pass filter ratings have been obtained in accordance to ISO 16889. Consult STAUFF for details.



Clogging Indicators for RIF-48 • Type HI-48

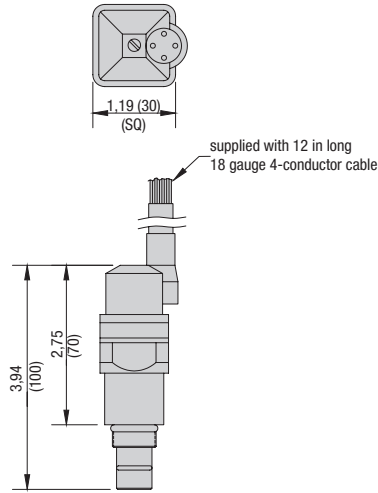
Visual Clogging Indicator

Part number HI-48-V is a mechanical magnetic cartridge with a highly visible red disk that pops up at 2,4 bar / 35 PSI. Once activated the red signal continues to indicate a bypass condition until it is manually reset.



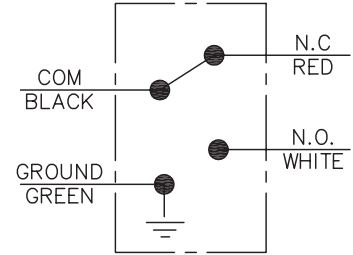
Electrical Clogging Indicator

Part number HI-48-E are used when an electrical signal is needed to indicate when the element needs changing. The solid state switch is activated at 2,4 bar / 35 PSI. The indicators are supplied with 305 mm / 12 in long 4 wire cable, and meet NEMA4 and IP65 specifications.



Electric Clogging Indicator - HI48-E Ratings

	AC Ratings	DC Ratings
Voltage	max 240 V AC	max 100 V DC
Wattage	max 720 Watts	max 50 Watts
Current	0.10 to 6 amps	0.01 to 2 amps
Contact Type	solid state	solid state



Order Code



① Type

Clogging Indicator

② Series

SIF-48 Series

③ Indicator Type

Visual
Electrical

HI

48

V
E

Portable Filter Cart • Type SPFC



Product Description

The STAUFF Portable Filter Cart (SPFC) is a very complete and practical unit capable of off-line filtration, filling, or emptying reservoirs (if needed via 125 µm suction filter) or any application requiring the transfer or filtration of hydraulic oils. Multi stage filtration is applied to extend element lifetime. The SPFC is available with a variety of spin-on elements for quick and easy element replacement as well with various pump/motor options. All components are mounted together on a sturdy frame guaranteeing a long lifetime.

Technical Data

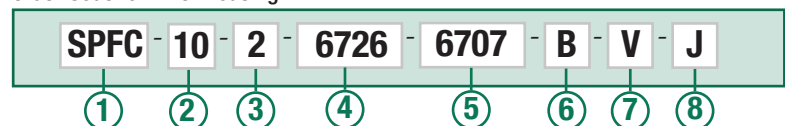
- 38 l/min / 10 US GPM gear pump
- Electric motor single phase
- On/off button with 3,05 m / 10 ft power cord
- Heavy duty welded frame with drip pan and tool tray
- Suction strainer - 125 mesh spin on
- 3,05 m / 10 ft spiral reinforced PVC hoses with wands
- 3-way ball valve to by-pass filters
- Weight: 86 kg / 190 lbs.

Options

- 3, 6, 12, or 25 βx=200 elements
- Water absorption elements

Note: For special applications (fluids, temperature, etc.) please contact your local STAUFF distributor.

Order Code for Filter Housing



① Type

STAUFF Portable Filter Cart	SPFC
-----------------------------	------

② Flow

38 l/min / 10 US GPM gear pump	10
--------------------------------	----

③ Stages

2 stages	2
----------	---

④ Stage 1 Filter Element

Without filter element	0000
Synthetic 3 µm β200	6704
Synthetic 6 µm β200	6707
Synthetic 12 µm β200	6731
Synthetic 25 µm β200	6726
Paper 10 µm	6721
Paper 25 µm	6711
Water absorbing 10 µm	6721-W
Stainless steel wire mesh 144 µm	6791

⑤ Stage 2 Filter Element

Without filter element	0000
Synthetic 3 µm β200	6704
Synthetic 6 µm β200	6707
Synthetic 12 µm β200	6731
Synthetic 25 µm β200	6726
Paper 10 µm	6721
Paper 25 µm	6711
Water absorbing 10 µm	6721-W
Stainless steel wire mesh 144 µm	6791

⑥ Seal Material

NBR (Buna-N®)	B
FPM (Viton®)	V

⑦ Contamination Indicator

Without Indicator	0
Visual indicator (standard option)	V

⑧ Electric Motor Voltage

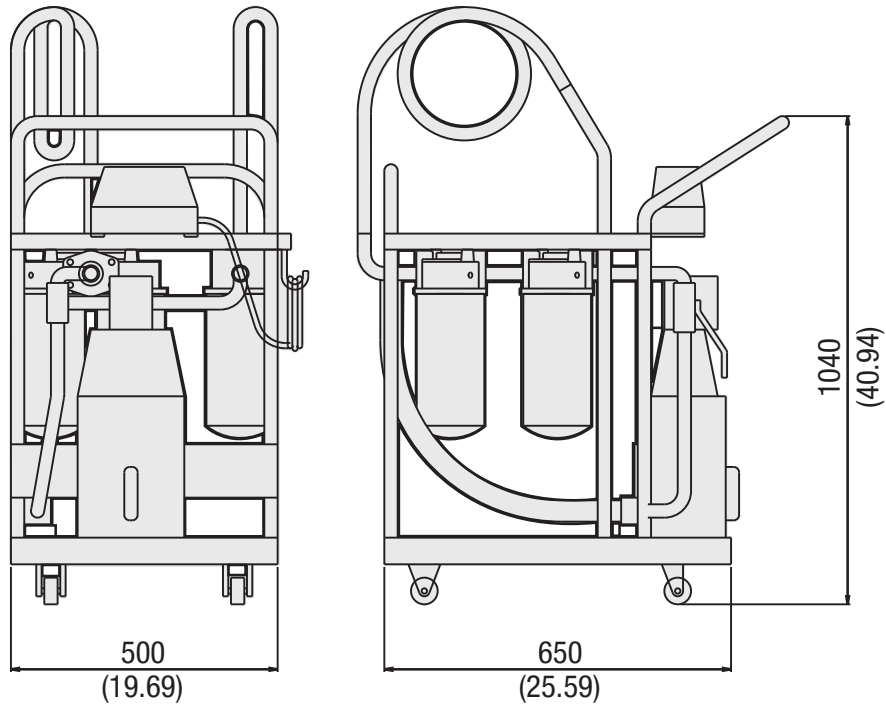
110 V AC @ 50 Hz - single phase	J
---------------------------------	---

⑨ Special Configuration

Without drum cart	-
-------------------	---

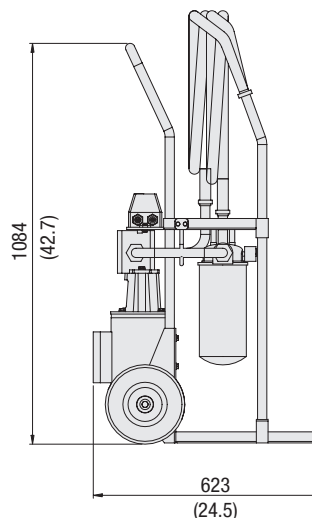
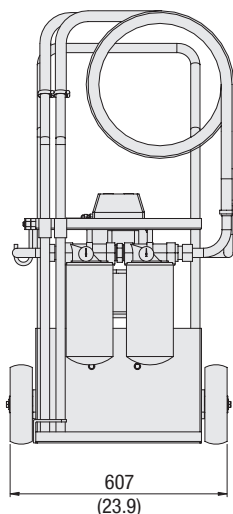
Portable Filter Cart • Type SPFC

SPFC Standard Dimensions



Dimensions in mm (inches)

Compact Portable Filter Cart • Type SCFC



Dimensions in mm (inches)



Product Description

The STAUFF Compact Filter Cart (SCFC) is a very compact, light, and handy filter cart, offering excellent service for maintenance departments. The carts assembled with a double spin-on head allow the use of various elements from 3 µm absolute to 144 µm wire mesh. The SCFC can be used for off line filtration or as a transfer unit.

Technical Data

- Flow to 38 l/min / 10 US GPM
- Electric motor single phase
- Thermal overload relays
- Welded frame with tool tray epoxy coated
- Special flexible hoses reinforced with internal spiral, length 3,05 m / 10 ft
- Filter head with by-pass valve integrated
- Visual clogging indicator
- Weight: 53 kg / 177 lbs.

Options

- Electric motor standard: IEC or CSA/NEMA
- Filter elements 10 or 25 µm (in paper), 3,6, 12, or 25 µm β200 (Inorganic Glass Fiber) or 144 µm (Stainless wire mesh)
- Water absorption filter elements

Note: For special applications (fluids, temperature, etc.) please contact your local STAUFF distributor.

Order Code

SCFC - 10 - G - D - 6726 - 6707 - B - V - J

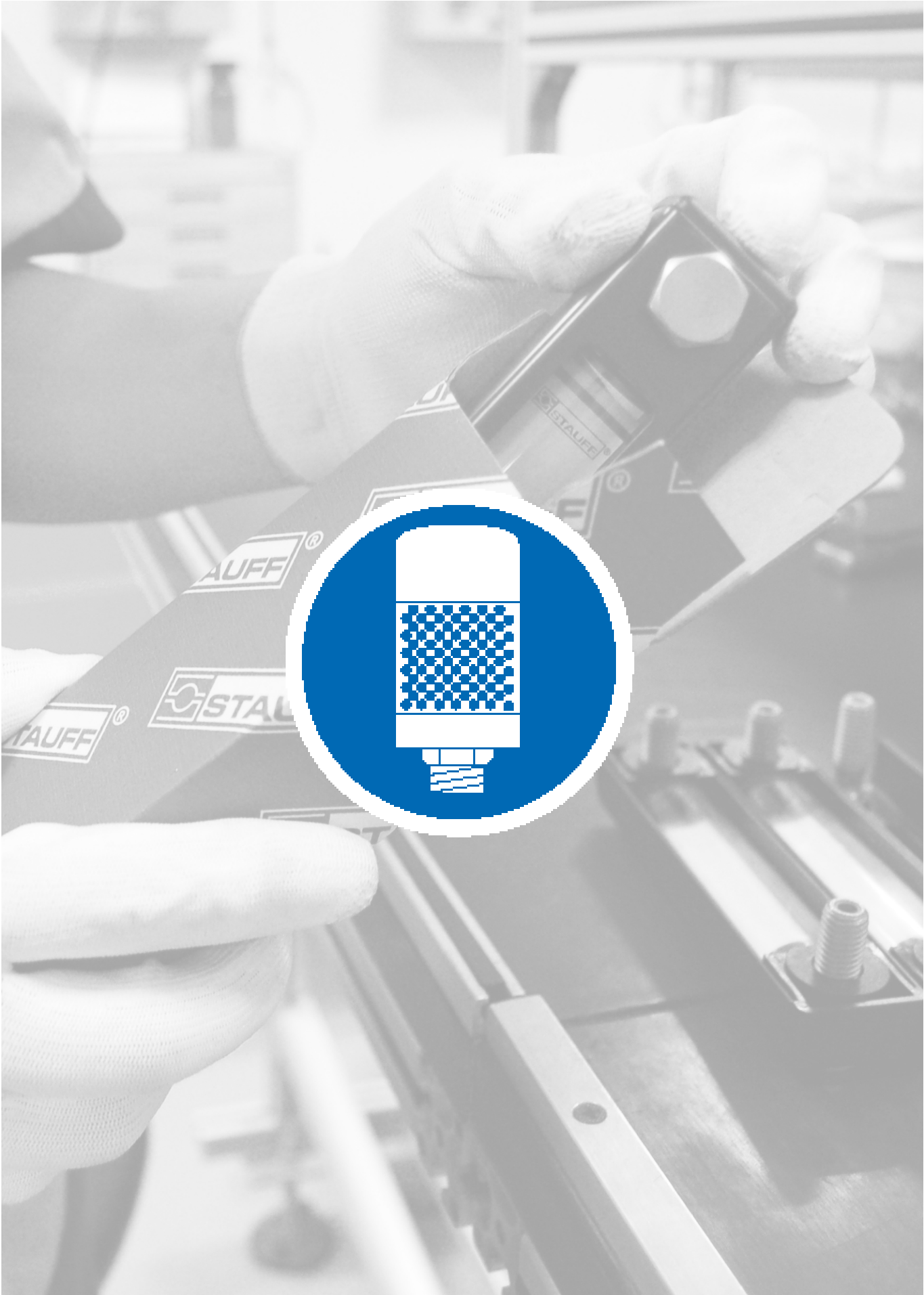
① ② ③ ④ ⑤ ⑥ ⑦ ⑧ ⑨

① Type	STAUFF Compact Portable Filter Cart	SCFC
② Flow	38 l/min / 10 US GPM gear pump	10
③ Pump Type	Gear Pump	G
④ Filter Head	Double head (parallel) 2x single heads (series)	D 2S

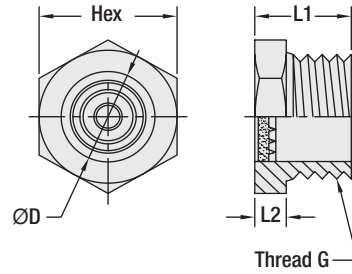
⑤ Stage 1 Filter Element	Without filter element	0000
	Synthetic 3 µm β200	6704
	Synthetic 6 µm β200	6707
	Synthetic 12 µm β200	6731
	Synthetic 25 µm β200	6726
	Paper 10 µm	6721
	Paper 25 µm	6711
	Water absorbing 10 µm	6721-W
	Stainless steel wire mesh 144 µm	6791

⑥ Stage 2 Filter Element	Without filter element	0000
	Synthetic 3 µm β200	6704
	Synthetic 6 µm β200	6707
	Synthetic 12 µm β200	6731
	Synthetic 25 µm β200	6726
	Paper 10 µm	6721
	Paper 25 µm	6711
	Water absorbing 10 µm	6721-W
	Stainless steel wire mesh 144 µm	6791

⑦ Seal Material	NBR (Buna-N®)	B
	FPM (Viton®)	V
⑧ Contamination Indicator	Without Indicator	0
	Visual indicator (standard option)	V
⑨ Electric Motor Voltage	110 V AC @ 50 Hz - single phase	J



Metal Sight Glasses • Type SLW



Characteristics

Visual fluid level indicator in hydraulic reservoirs

Nominal Sizes and Designs

- Thread sizes from 1/4-18 NPT to 2-11-1/2 NPT
- SAE thread available on request

Materials

- Housings made of Steel, electroless nickel plated
- Hermetically sealed prism lenses made of glass

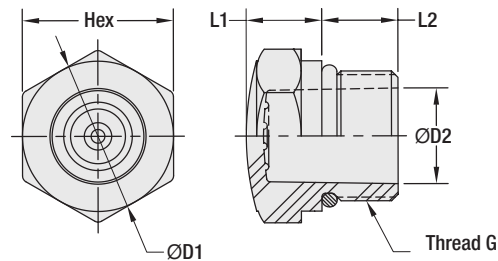
Consult STAUFF for alternative materials.

Temperature Range

- Max. operating temperature: +260°C / +500°F

Order Code	Thread G	Dimensions (mm/ in)				Max. Operating Pressure (bar/ psi)
		ØD	L1	L2	Hex	
OLG-SLW-N04	1/4-18 NPT	8,6	16,0	4,8	16,0	34
		.34	.63	.19	.63	500
OLG-SLW-N06	3/8-18 NPT	11,2	18,3	5,6	19,1	34
		.44	.72	.32	.75	500
OLG-SLW-N08	1/2-14 NPT	14,2	19,8	5,6	23,9	34
		.56	.78	.32	.94	500
OLG-SLW-N12	3/4-14 NPT	19,1	23,9	8,1	26,9	34
		.75	.94	.32	1.06	500
OLG-SLW-N16	1-11-1/2 NPT	23,9	31,8	8,1	35,1	34
		.94	1.25	.32	1.38	500
OLG-SLW-N20	1-1/4-11-1/2 NPT	30,5	31,0	10,4	44,5	34
		.120	1.22	.41	1.75	500
OLG-SLW-N24	1-1/2-11-1/2 NPT	36,6	31,0	10,4	50,8	34
		1.44	1.22	.41	2.00	500
OLG-SLW-N32	2-11-1/2 NPT	47,8	32,5	10,4	63,5	34
		1.88	1.28	.41	2.50	500

Plastic Sight Glasses • Type OLG



Characteristics

Visual fluid level indicator in hydraulic reservoirs

Nominal Sizes and Designs

- Thread sizes from 3/4-16 UNF to 1-5/8-12 UNF

Materials

- Housings made of polyamide (TR-90-UV)
- Sealings made of NBR (Buna-N®)

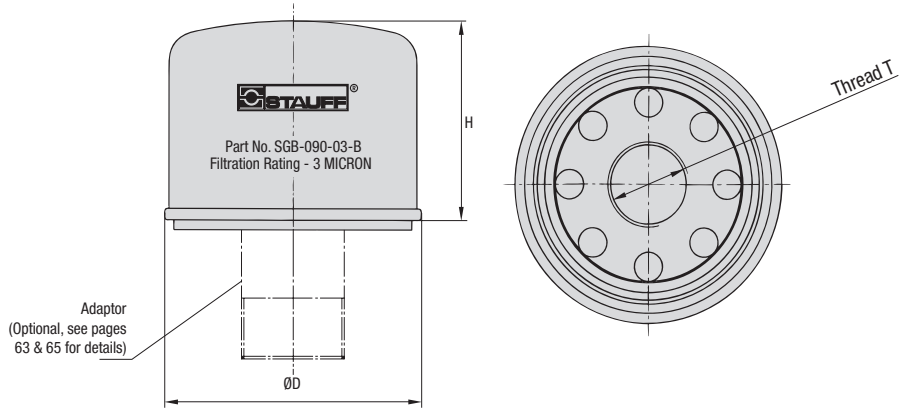
Consult STAUFF for alternative materials.

Temperature Range

- Max. operating temperature: -30°C ...+90°C / -22°F ...+194°F

Order Code	Thread G	Dimensions (mm/ in)				
		ØD1	ØD2	L1	L2	Hex
OLG-U08-P-B	3/4-16 UNF	22	14	8	11	22,0
		.90	.55	.31	.43	.90
OLG-U12-P-B	1-1/16-12 UNF	32	20	11,9	15,1	.32
		1.26	.79	.47	.59	1.26
OLG-U16-P-B	1-5/16-12 UNF	41	25	12,9	15,1	41
		1.61	.98	.51	.59	1,61

Giant Air Breather • Type SGB (Synthetic Fiber Media)



Characteristics

Replaceable Air Breather Elements for STAUFF Particle and Desiccant Breathers.

They can also be used with an Adapter as separate air filters for hydraulic reservoirs.

Characteristics

- Diameter of Ø68 mm / Ø2.68 in (SGB-060), Ø100 mm / Ø3.94 in (SGB-090) or Ø130 mm / Ø5.12 in (SGB-120)
- Equipped with female BSP thread (ISO 228)
- Including sealing made of NBR (Buna-N®)
- Operating temperature range: -32°C...+100°C / -25°F...+212°F

Accessories/ Options

- Adapters (for direct installation on top of hydraulic reservoirs)

Please see pages 65 and 67 for a selection of adapters available.

Air Flow

- Maximum air flow rates:
0,05 m³/min / 1.77 cfm for SGB-060
0,70 m³/min / 24.71 cfm for SGB-090
1,50 m³/min / 52.97 cfm for SGB-120

Type	Thread T*	Dimensions (mm/in)		Filter Material	Micron Rating	Max. Air Flow Rate
		ØD	H			
SGB-060-03-B	M20 x 1,5 Female (ISO 13-2)	68	60	Inorganic Glass Fiber	3 µm	0,05 m³/min
		2.68	2.36			1.77 cfm
SGB-090-03-B	G3/4 BSP Female (ISO 228)	100	64	Inorganic Glass Fiber	3 µm	0,70 m³/min
		3.94	2.52			24.71 cfm
SGB-120-03-B	G1-1/4 BSP Female (ISO 228)	130	100	Inorganic Glass Fiber	3 µm	1,50 m³/min
		5.12	3.94			52.97 cfm

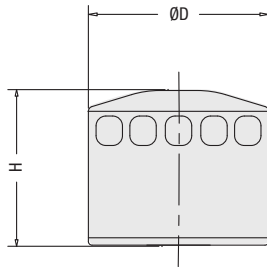
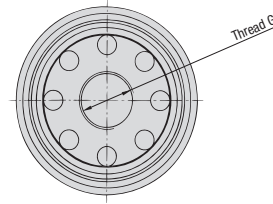
* Adapters (BSP/BSP and BSP/NPT) are available. Please see Online STAUFF Hydraulic Accessories Catalog for details.

Order Code

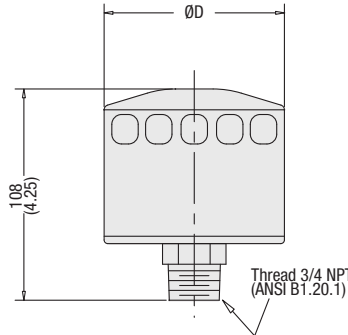
SGB - 090 - 03 - B - BA-5				
①	②	③	④	⑤
① Type Air Breather SGB	② Sizes Diameter of Ø68mm (Ø2.68in) 060 Diameter of Ø100mm (Ø3.94in) 090 Diameter of Ø130mm (Ø5.12in) 120	③ Filter Material/ Micron Rating 3 µm Synthetic Fiber 03 Contact STAUFF for alternative materials/micron ratings.	④ Connection Thread Female BSP thread (according to dimension table) B	⑤ Adapters without Adapter (Standard option) - BA-5A Polyamide Adapter (for use with SGB-090-03-B) BA-5 TBA-090 Steel Adapter (for use with SGB-090-03-B) AD-N12 TBA-120 Steel Adapter (for use with SGB-120-03-B) AD-N20

All dimensional drawings in mm (in).

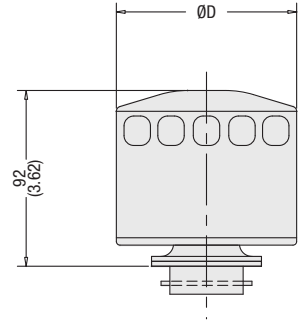
Giant Air Breather • Type SGB (Cellulose Media)



Without Adaptor



With Threaded Adaptor
BA-05



With Bayonet Adaptor
BA4A

Characteristics

Designed to be used as separate air filters for hydraulic reservoirs

Features

- Diameter of Ø94 mm / Ø3.70 in
- Equipped with female UN thread (ANSI B1.1)
- Including sealing made of NBR (Buna-N®)

Accessories/ Options

- Threaded adapter BA-05
- Bayonet adapter BA4A
- Standard and extended bayonet flanges
- Metal or plastic basket (800 µm)

Air Flow

- Maximum air flow rates:
1,13 m³/min / 39.90 cfm

Type	Thread G	Dimensions (mm/in)		Filter Material	Micron Rating	Filter Surface	Max. Air Flow Rate
		ØD	H				
SGB-90-10P	1-1/8-16 UN	94	80	Cellulose	10 µm	700cm²	1,13 m³/min
		3.70	3.15			109 in²	39.90 cfm

Order Code



- ①
- ②
- ③
- ④
- ⑤
- ⑥

① Type

Giant Air Breather **SGB**

② Sizes

Diameter of Ø94mm (Ø3.70in) **090**

③ Filter Material/ Micron Rating

10 µm Cellulose **10P**

④ Adapter Option

Without adapter -
 BA-5A Polyamide Adapter **BA-05**
 BA4A Bayonet Adapter **BA4A**

⑤ Bayonet Flange Option

Without bayonet flange -
 Standard bayonet flange **BB**
 Extended bayonet flange EBF-1: 39 mm (1.56 in) **B1**
 Extended bayonet flange EBF-2: 69 mm (2.72 in) **B2**

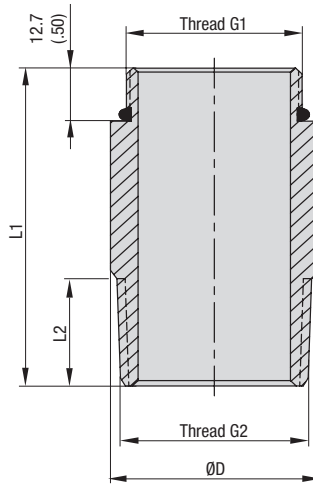
⑥ Basket Option

Without basket -
 Plastic basket (95mm / 3.74 in) **S095**
 Metal basket (80 mm / 3.15 in) **S080**
 Metal basket (100 mm / 3.94 in) **S100**
 Metal basket (150 mm / 5.91 in) **S150**
 Metal basket (200 mm / 7.87 in) **S200**

Assembly with basket including gaskets and screws.

All dimensional drawings in mm (in).

Threaded Breather Adapter • Type TBA (Steel)



Characteristics

Adapts from female threaded Giant Air Breather or Spin-On Filter Element to female threads, and thus allows for direct installation on top of hydraulic reservoirs.

Features

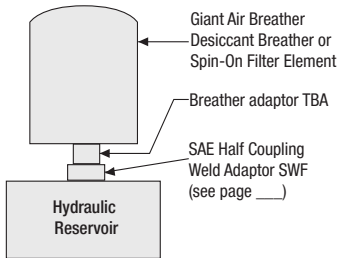
- Several thread combinations available to suit most common Spin-On filter elements
- Sealings included in delivery

Materials

- Adapter made of Steel, zinc-plated
- Sealings made of NBR (Buna-N®)

Consult STAUFF for alternative materials.

Application Example

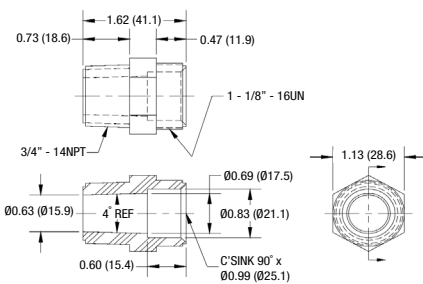


Order Code	Thread G1	Thread G2	Dimensions (mm/in)			For Use with...*
			L1	L2	ØD	
TBA-075-U12-N12-B-W32	Male 1-12 UNF (ANSI B1.1)	Male 3/4 NPT (ANSI B1.20.1)	51	20	27	Spin-On Series SF-6500
			2,00	0,79	1,05	
TBA-090-G12-N12-B-W32	Male 3/4 BSP (ISO 228)	Male 3/4 NPT (ANSI B1.20.1)	51	20	27	SGB-090-03-B
			2,00	0,79	1,05	
TBA-120-N20-B-W32	Male 1-1/4 BSP (ISO 228)	Male 1-1/4 NPT (ANSI B1.20.1)	76	22	42	SGB-120 SDBL-121/SVDB-121 SDBL-122/SVDB-122 Spin-On Series SF-5700 Spin-On Series SF-5800
			3,00	0,88	1,65	
TBA-125-U24-N20-B-W32	Male 1-1/2-16 UN (ANSI B1.1)	Male 1-1/4 NPT (ANSI B1.20.1)	76	26	45	Spin-On Series SF-6600 Spin-On Series SF-6700
			3,00	1,01	1,77	

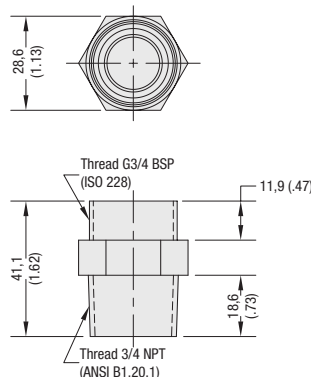
* Please see STAUFF Filtration Technology Catalog section for technological details on Spin-On filter elements.

Threaded Breather Adapter • Type BA-5 (Polyamide)

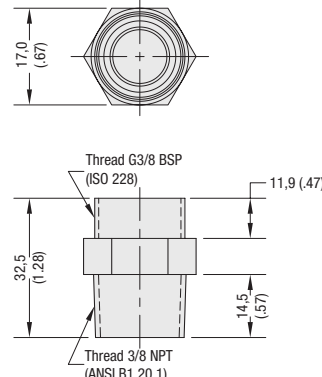
Order Code BA-5



Order Code BA-5A



Order Code BA-5B



Characteristics

Features

- BA-5B suitable for SVDB-061
- BA-5A suitable for SGB-090-03-B, SVDB-093 and SVDB-096
- BA-5 suitable for SGB-090-10P
- Equipped with hex to simplify installation

Materials

- Adapter made of Polyamide

All dimensional drawings in mm (in).

Breather Adapter with Filter Port • Type BA-6 (Aluminum)

Characteristics

Features

- For use with Spin-On Series SF6600 and SF6700
- Equipped with female 3/4 SAE O-Ring Fluid Filler Port
- Can be used with baskets S080, S150, S200, and S095

Materials

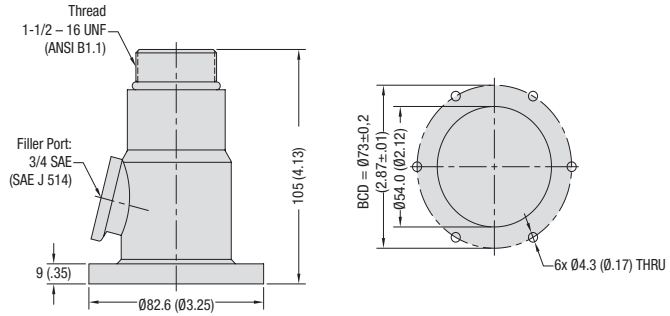
- Adapter made of Aluminum

Installation

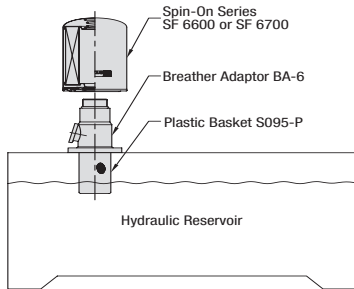
- Six-hole bolt pattern for flange interfaces similar to DIN 24557, part 2
- Supplied with O-ring, gasket, and mounting hardware



Order Code BA-6



Application Example



Spin-On Filter Element SF 6721



Breather Adaptor BA-6



Plastic Basket S095

Threaded Breather Adapter • Type DBA-75 (Aluminum)

Characteristics

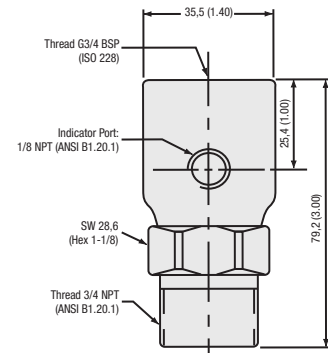
Features

- For use with Desiccant Air Breathers SDB-093 and SDB-096.
- Equipped with female 1/8 NPT (ANSI B1.20.1) port for Visual Contamination Indicators FM (Filter Minder®)
- Equipped with hex to simplify installation

Materials

- Adapter made of aluminum (Black Anodized)

Order Code DBA-75



Application Example



Desiccant Air Breather SDB-093



Breather Adapter DBA-75



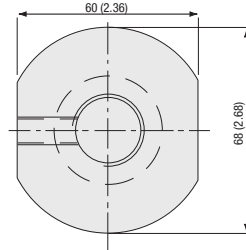
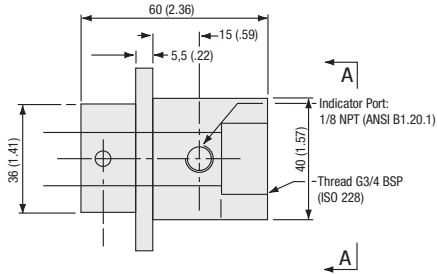
Visual Contamination Indicator FM (Filter Minder®)

All dimensional drawings in mm (in).

Bayonet Breather Adapter • Type BA-1 (Aluminum)



Order Code: BA-1



Characteristics

Features

- For use with Desiccant Air Breathers SDB-093 and SDB-096
- Equipped with female 1/8 NPT (ANSI B1.20.1) port for Visual Contamination Indicators FM (Filter Minder®)

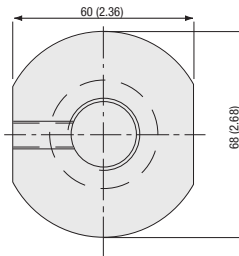
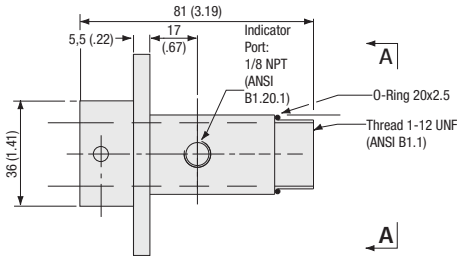
Materials

- Adapter made of Aluminum (Black Anodized)
- Seals made of NBR (Buna-N®)

Bayonet Breather Adapter • Type BA-2 (Aluminum)



Order Code: BA-2



Characteristics

Features

- For use with Spin-On Filter Elements, series SF-6500
- Equipped with female 1/8 NPT (ANSI B1.20.1) port for Visual Contamination Indicators FM (Filter Minder®)

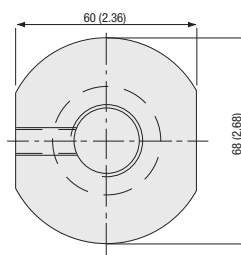
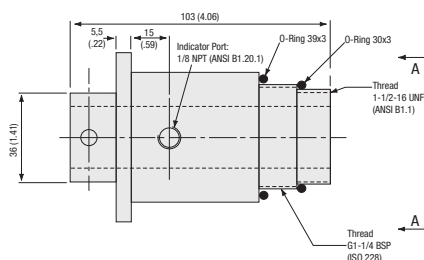
Materials

- Adapter made of Aluminum (Black Anodized)
- Seals made of NBR (Buna-N®)

Bayonet Breather Adapter • Type BA-3 (Aluminum)



Order Code: BA-3



Characteristics

Features

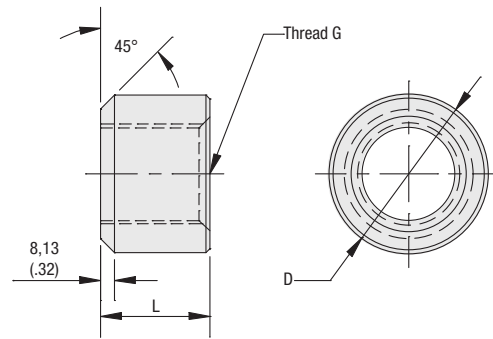
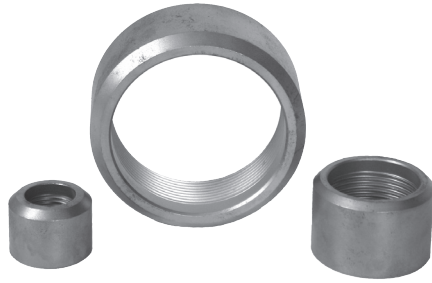
- For use with Giant Air Breathers SGB-120 and Spin-On Filter Elements, series SF-6600 and SF-6700
- Equipped with female 1/8 NPT (ANSI B1.20.1) port for Visual Contamination Indicators FM (Filter Minder®)

Materials

- Adapter made of Aluminum (Black Anodized)
- Seals made of NBR (Buna-N®)

All dimensional drawings in mm (in).

SAE Half Coupling Weld Adapter • Type SWF



Characteristics

Used for a leak-free weld installation of breathers and breather adapters with SAE O-ring thread.

Features

- Equipped with female SAE O-ring thread as per SAE J514
- Designed for minimum weld distortion
- Pilot minimized installation setup
- Labor and time saving

Consult STAUFF for custom adapters.

Materials

- Weld Flange made of Forged Steel

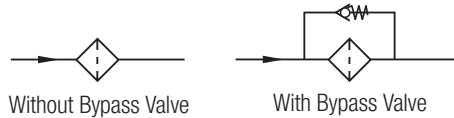
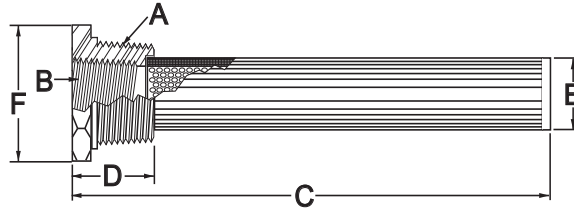
Consult STAUFF for alternative materials.

Order Code and Dimensions

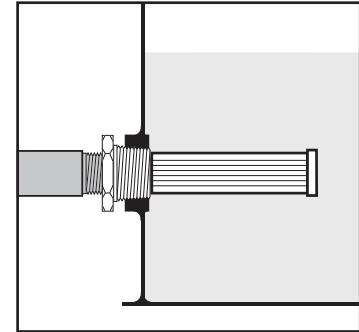
Order Code	Thread G	Dimensions (mm/in)	
		ØD	L
SWF-U06-W1	9/16-18 UNF	22	17,7
		.87	.70
SWF-U08-W1	3/4-16 UNF	28,5	21,6
		1.12	.85
SWF-U10-W1	7/8-14 UNF	34,9	24,1
		1.37	.95
SWF-U12-W1	1-1/16-12 UNF	37,9	24,1
		1.49	.95
SWF-U16-W1	1-5/16-12 UNF	41,2	27,9
		1.62	1.10
SWF-U20-W1	1-5/8-12 UNF	62,9	27,9
		2.48	1.10
SWF-U24-W1	1-7/8-12 UNF	63,5	27,9
		2.50	1.10
SWF-U32-W1	2-1/2-12 UNF	76,2	30,4
		3.00	1.20

All dimensional drawings in mm (in).

Suction Strainer • Type TMF (NPT Tank Mounted)



Mounting Information



Characteristics

Designed as in-tank suction strainer elements for direct installation into suction lines of pumps; should always be installed below the minimum fluid level of the reservoir.

Features

- Equipped with female and male NPT thread (ANSI B1.20.1)
- Operating temperature up to +120°C/ +250°F

Consult STAUFF for custom adapters.

Media Compatibility

- Suitable for use with Mineral and Petroleum based hydraulic fluids (HL and HLP)

Materials

- Threaded end cap made of Cast Iron
- Standard filter material is Stainless Steel Mesh (125 µm); alternative micron ratings on request

Consult STAUFF for alternative materials.

Options

- Integrated bypass valve with an opening pressure of 0,35 bar (5 PSI) to reduce the risks of high-pressure drops that can be caused by contaminated strainer elements or high-viscosity fluids

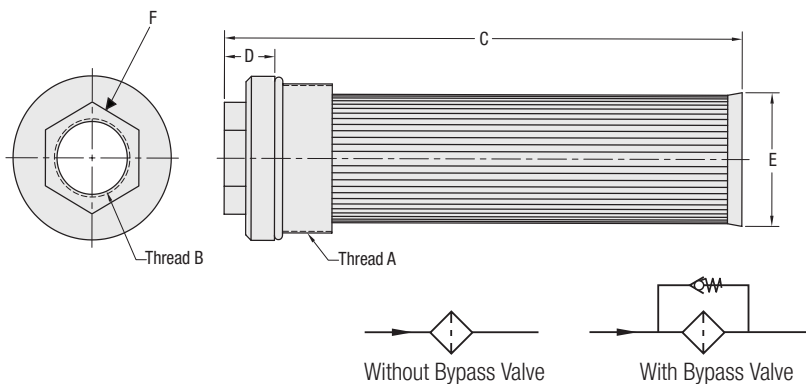
Special sizes, designs, materials and configurations are available on request.
Consult STAUFF for details.

Order Codes, Dimensions, and Technical Data

Order Code without Bypass	Bypass 0,35 bar / 5 PSI	Thread A	Thread B	Dimensions (mm/in)				Filter Surface	Max. Flow Rate
				C	D	E	Hex F		
TMF-03-N12/N08-125-0	TMF-03-N12/N08-125-B0.35	3/4 NPT	1/2 NPT	102	25	22	27	258 cm ²	19 l/min
				4.02	0.98	0.87	1.06	40 in ²	5 US GPM
TMF-05-N16/N08-125-0	TMF-05-N16/N08-125-B0.35	1 NPT	1/2 NPT	135	27	29	41	258 cm ²	19 l/min
				5.31	1.06	1.14	1.61	40 in ²	5 US GPM
TMF-10-N20/N12-125-0	TMF-10-N20/N12-125-B0.35	1-1/4 NPT	3/4 NPT	207	30	34	46	432 cm ²	38 l/min
				8.15	1.18	1.34	1.81	67 in ²	10 US GPM
TMF-15-N24/N16-125-0	TMF-15-N24/N16-125-B0.35	1-1/2 NPT	1 NPT	208	31	42	55	554 cm ²	57 l/min
				8.19	1.22	1.65	2.17	86 in ²	15 US GPM
TMF-25-N32/N20-125-0	TMF-25-N32/N20-125-B0.35	2 NPT	1-1/4 NPT	230	35	54	65	1025 cm ²	95 l/min
				9.06	1.38	2.13	2.56	159 in ²	25 US GPM
TMF-50-N48/N32-125-0	TMF-50-N48/N32-125-B0.35	3 NPT	2 NPT	246	44	76	84	1625 cm ²	189 l/min
				9.69	1.73	2.99	3.31	252 in ²	50 US GPM
TMF-100-N64/N48-125-0	TMF-100-N64/N48-125-B0.35	4 NPT	3 NPT	287	46	101	120	2032 cm ²	378 l/min
				11.30	1.81	3.98	4.72	315 in ²	100 US GPM

All dimensional drawings in mm (in).

Suction Strainer • Type TMF (SAE O-Ring Tank Mounted)



Characteristics

Designed as in-tank suction strainer elements for direct installation into suction lines of pumps; should always be installed below the minimum fluid level of the reservoir.

Features

- Equipped with female and male SAE O-ring thread as per SAE J514 for leak-free installation (O-ring included)
- Weld Flange WC supplied separately (see page 72)
- Operating temperature up to +100°C / +212°F

Consult STAUFF for custom adapters.

Media Compatibility

- Suitable for use with Mineral and Petroleum based hydraulic fluids (HL and HLP)

Consult STAUFF for alternative materials.

Materials

- Threaded end cap made of Cast Iron
- O-ring made of NBR (Buna-N®)
- Standard filter material is Stainless Steel Mesh (125 µm); alternative micron ratings on request

Consult STAUFF for alternative materials.

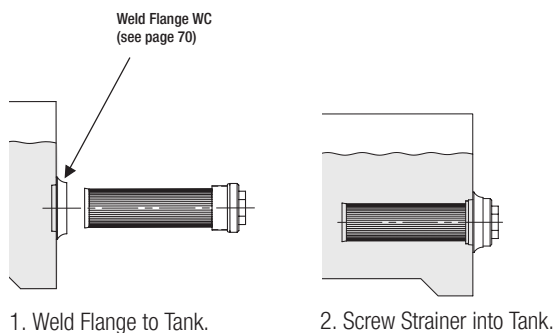
Options

- Integrated bypass valve with an opening pressure of 0,35 bar (5 PSI) to reduce the risks of high-pressure drops that can be caused by contaminated strainer elements or high-viscosity fluids

Special sizes, designs, materials, and configurations are available on request.

Consult STAUFF for details.

Mounting Information

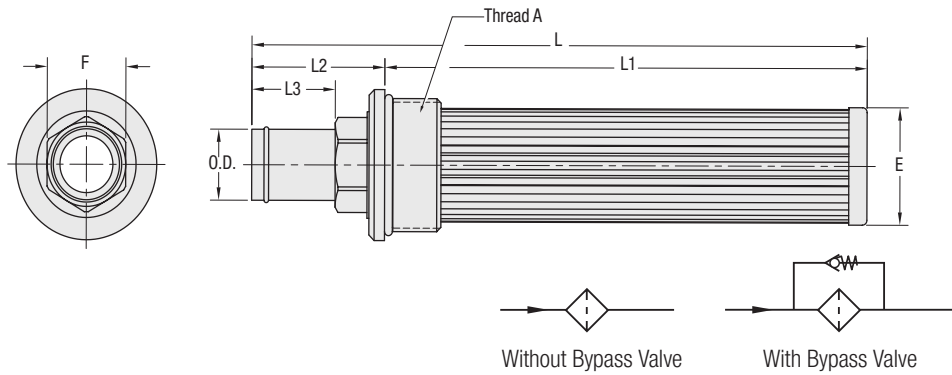


Order Codes, Dimensions, and Technical Data

Order Code without Bypass	Bypass 0,35 bar / 5 PSI	Thread A	Thread B	Dimensions (mm/in)				Filter Surface	Max. Flow Rate
				C	D	E	Hex F		
TMF-1625-U32/U16-125-0	TMF-1625-U32/U16-125-B0.35	2-1/2-12 UNF	1-5/16-12 UNF	229	19	58	54	580 cm ²	34 l/min
				9.02	.75	2.28	2.13	90 in ²	9 US GPM
TMF-2025-U32/U20-125-0	TMF-2025-U32/U20-125-B0.35	2-1/2-12 UNF	1-5/8-12 UNF	229	19	58	54	580 cm ²	53 l/min
				9.02	.75	2.28	2.13	90 in ²	14 US GPM
TMF-1834-U40/U24-125-0	TMF-1834-U40/U24-125-B0.35	3-3/8-12 UNF	1-7/8-12 UNF	224	23	80	64	1484 cm ²	80 l/min
				8.82	.91	3.15	2.52	230 in ²	21 US GPM
TMF-2534-U40/U32-125-0	TMF-2534-U40/U32-125-B0.35	3-3/8-12 UNF	2-1/2-12 UNF	234	25	80	76	1484 cm ²	148 l/min
				9.29	.98	3.15	2.99	230 in ²	39 US GPM

All dimensional drawings in mm (in).

Suction Strainer • Type TMF (Hose Barb Tank Mounted)



Characteristics

Designed as in-tank suction strainer elements for direct installation into suction lines of pumps; should always be installed below the minimum fluid level of the reservoir.

Features

- Equipped with male SAE O-ring thread as per SAE J514 for leak-free installation (O-ring included)
- Weld Flange WC supplied separately (see page 72)
- Operating temperature up to +100°C / +212°F

Consult STAUFF for custom adapters.

Media Compatibility

- Suitable for use with Mineral and Petroleum based hydraulic fluids (HL and HLP)

Consult STAUFF for alternative materials.

Materials

- Threaded end cap made of Steel, zinc plated
- O-ring made of NBR (Buna-N®)
- Standard filter material is Stainless Steel Mesh (125 µm); alternative micron ratings on request

Consult STAUFF for alternative materials.

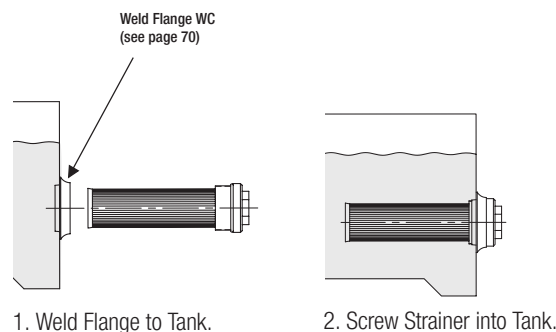
Options

- Integrated bypass valve with an opening pressure of 0,35 bar (5 PSI) to reduce the risks of high-pressure drops that can be caused by contaminated strainer elements or high-viscosity fluids

Special sizes, designs, materials, and configurations are available on request.

Consult STAUFF for details.

Mounting Information

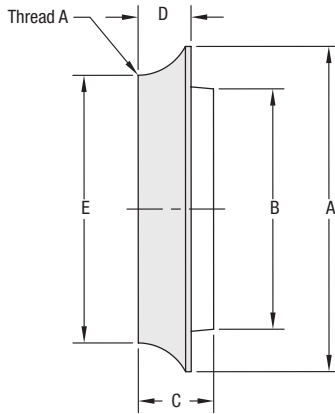


Order Codes, Dimensions, and Technical Data

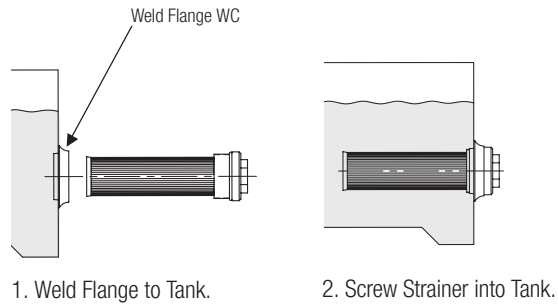
Order Code without Bypass	Bypass 0,35 bar / 5 PSI	Thread A	Dimensions (mm/in)						
			O.D.	L	L1	L2	L3	E	Hex F
TMF-1017HB-U24-125-0	TMF-1017HB-U24-125-B0.35	1-7/8-12 UNF	25,4	236	182	51	32	42	32
			1.00	9.29	7.17	2.01	1.26	1.65	1.26
TMF-1225HB-U32-125-0	TMF-1225HB-U32-125-B0.35	2-1/2-12 UNF	31,8	254	203	51	32	54	38
			1.25	10.00	7.99	2.01	1.26	2.13	1.50
TMF-1234HB-U40-125-0	TMF-1234HB-U40-125-B0.35	3-3/8-12 UNF	31,8	261	198	64	38	82	51
			1.25	10.28	7.80	2.52	1.50	3.23	2.01
TMF-1534HB-U40-125-0	TMF-1534HB-U40-125-B0.35	3-3/8-12 UNF	38,1	261	198	64	38	82	51
			1.50	10.28	7.80	2.52	1.50	3.23	2.01
TMF-2034HB-U40-125-0	TMF-2034HB-U40-125-B0.35	3-3/8-12 UNF	50,8	274	199	76	51	82	63
			2.00	10.79	7.83	2.99	2.01	3.23	2.48

All dimensional drawings in mm (in).

Weld Flange • Type WC



Mounting Information



Characteristics

Used for a leak-free weld installation of tank mounted suction strainers with SAE O-ring thread.

Features

- Equipped with female SAE O-ring thread as per SAE J514
- Designed for minimum weld distortion
- Pilot minimizes installation setup
- Labor and time saving

Consult STAUFF for custom adapters.

Materials

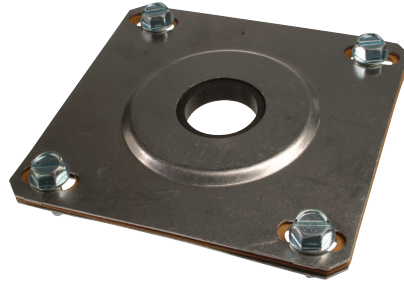
- Weld Flange made of Forged Steel

Consult STAUFF for alternative materials.

Order Codes, Dimensions, and Technical Data

Order Code without Bypass	Thread A	Dimensions (mm/in)				
		A	B	C	D	E
WC-U24-W1	1-7/8-12 UNF	76	57	19	13	60
		2.99	2.24	.75	.51	2.36
WC-U32-W1	2-1/2-12 UNF	89	67	21	15	73
		3.50	2.63	.83	.59	2.87
WC-U40-W1	3-3/8-12 UNF	118	93	25	21	100
		4.65	3.66	.98	.83	3.94

Suction Flange • Type SUF



Characteristics

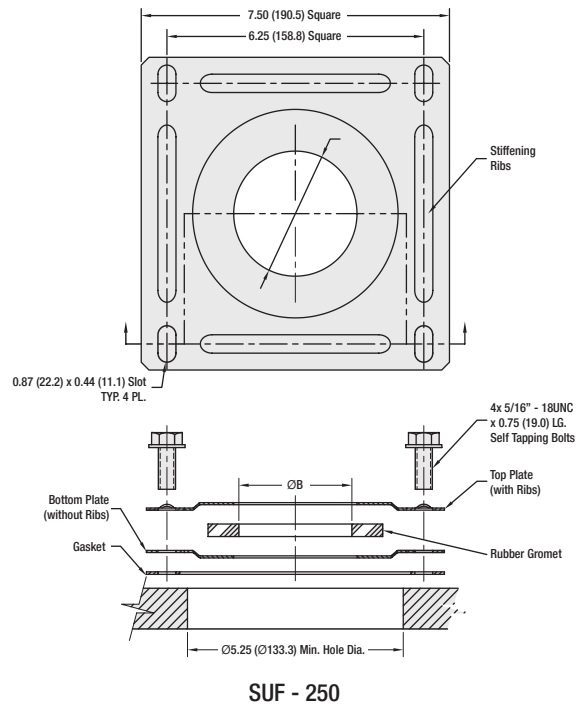
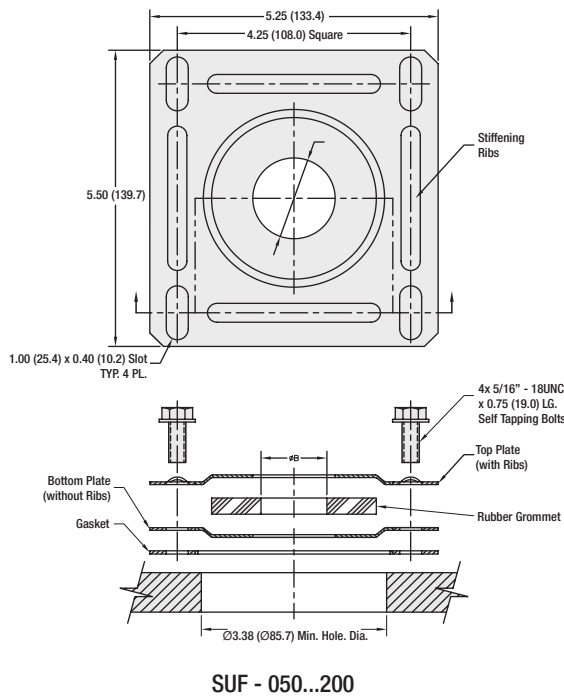
Designed to seal suction lines passing through the top plate of the hydraulic reservoir and thus allowing access for easy inspection, cleaning, and removal of suction elements.

Scope of Delivery / Materials

- 1 top plate made of Steel
- 1 bottom plate made of Steel
- 1 seal plate / gasket made of treated paper
- 1 rubber grommet made of NBR (Buna-N®)
- 4 thread forming screws (UNC 5/16-18)

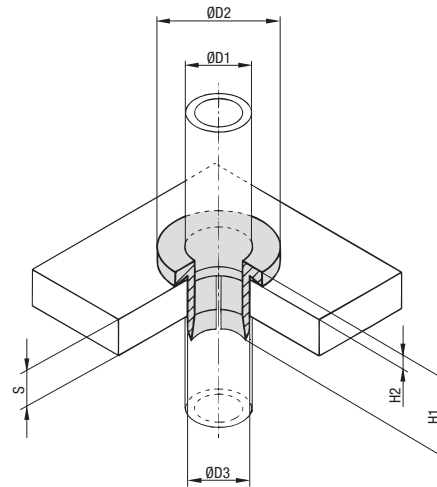
Order Codes

Order Code	Nominal Bore (in)	Dimensions (mm/in)	
		A	B
SUF-050-B-W1	1/2	38,1	20
		1.50	.79
SUF-075-B-W1	3/4	38,1	25
		1.50	.98
SUF-100-B-W1	1	38,1	30
		1.50	1.18
SUF-125-B-W1	1-1/4	50,8	41
		2.00	1.61
SUF-150-B-W1	1-1/2	50,8	46
		2.00	1.81
SUF-200-B-W1	2	50,8	58
		2.50	2.28
SUF-250-B-W1	2-1/2	76,2	70
		3.00	2.76



All dimensional drawings in mm (in).

Return Line Bushing • Type SRF



Characteristics

Designed as tubular support, vibration, and noise absorber and protection element for rigid return lines entering the hydraulic reservoir.

Features

- For all commonly available Metric and imperial pipe and tube diameters from 6...42 mm and 1/4...1-1/2 in
- Oil-tight and dust-proof sealing
- Simple assembly: Insert the bushing in to the bore hole and the install the lubricated pipe into the bushing
- Chemically resistant against oil and solvents

Media Compatibility

- Suitable for use with Mineral and Petroleum based hydraulic fluids (HL and HLP)

Materials

- Bushing made of Polypropylene (PP) or Thermoplastic Elastomer (TPE) with a hardness degree of 87 Shore-A

Consult STAUFF for alternative materials.

Order Code



1 Type

Return Line Bushing SRF

2 Pipe / Tube Diameter

Outside diameter pipe / tube OD 1 in mm 20
(According to dimension table)

3 Material

Polypropylene (PP) in natural color PP

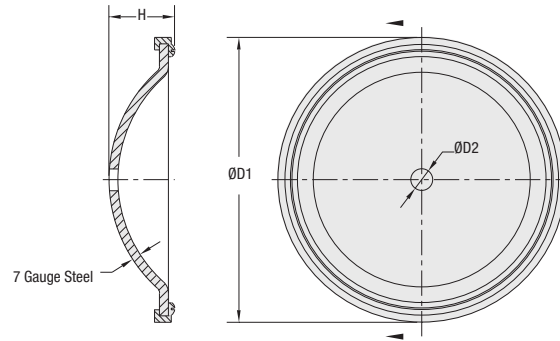
Thermoplastic Elastomer (TPE) in black color SA

Consult STAUFF for alternative materials.

Dimensions

Outside Diameter ØD1		Nominal Bore (in)	Dimensions (mm/in)			Wall Thickness (mm/in) S	Mounting Bore (mm/in) ØD3
mm	in		ØD2	H1	H2		
06	1/4		18	22	4	4 ... 12	10
			.71	.87	.16	.1647	.39
08	5/16		20	22	4	4 ... 12	12
			.79	.87	.16	.1647	.47
10	3/8	1/8 Pipe	22	22	4	4 ... 12	14
		1/4 Copper Tube	.87	.87	.16	.1647	.55
12	1/2	3/8 Copper Tube	24	22	4	4 ... 12	16
			.94	.87	.16	.1647	.63
14		1/4 Pipe	26	22	4	4 ... 12	18
			1.02	.87	.16	.1647	.71
15			28	22	4	4 ... 12	20
			1.10	.87	.16	.1647	.79
16	5/8	1/2 Copper Tube	28	22	4	4 ... 12	20
			1.10	.87	.16	.1647	.79
17		3/8 Pipe	30	22	4	4 ... 12	22
			1.18	.87	.16	.1647	.87
20	3/4		32	22	4	4 ... 12	24
			1.26	.87	.16	.1647	.94
22	7/8	3/4 Copper Tube	34	22	4	4 ... 12	26
			1.34	.87	.16	.1647	1.02
25	1		38	22	4	4 ... 12	30
			1.50	.87	.16	.1647	1.18
28		1 Copper Tube	41	22	4	4 ... 12	33
			1.61	.87	.16	.1647	1.30
30			43	22	4	4 ... 12	34
			1.69	.87	.16	.1647	1.39
35		1-1/4 Copper Tube	48	22	4	4 ... 12	40
			1.89	.87	.16	.1647	1.57
38	1-1/2		51	22	4	4 ... 12	43
			2.01	.87	.16	.1647	1.70
42		1-1/4 Pipe 1-1/2 Copper Tube	55	22	4	4 ... 12	47
			2.17	.87	.16	.1647	1.85

Reservoir End Cover • Type EC



Characteristics

Materials

- End cover made of Grade 7 Steel (pickled and oiled); Stainless Steel available on request
- Double lip gasket (one-piece, molded) made of NBR (Buna-N®)
- Crush washer made of Polyamide (PA)

Materials

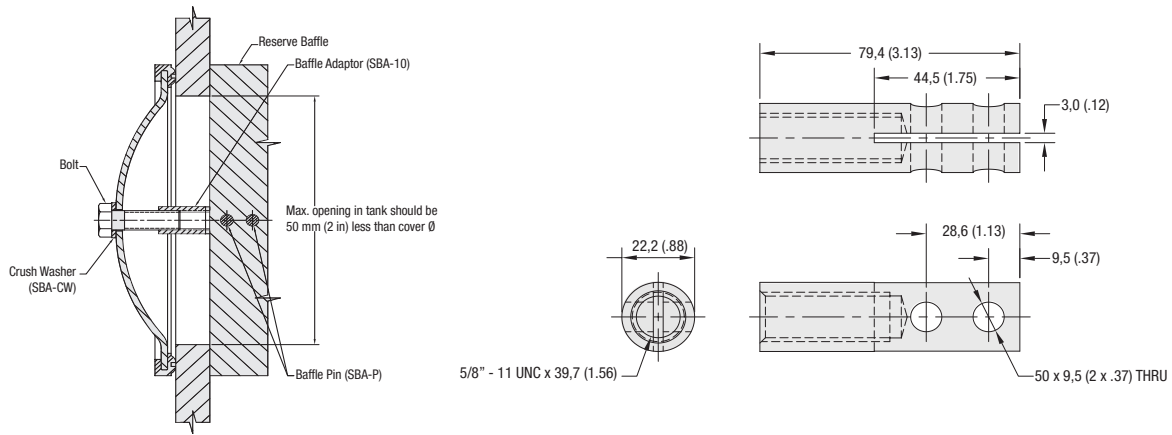
- 3/4" drain hole (not for EC-06-CW-AS-BP-B-W1 and EC-16-CW-B-W1)
- Back mounting brackets (included for EC-06-CW-AS-BP-B-W1)
- Baffle adapters
- Seal kits (double lip gasket and crush washer)

Special sizes, designs, materials, and configurations are available on request.
Consult STAUFF for details.

Dimensions and Order Codes

Order Code			Dimensions (mm/in)			Weight (kg/lbs)
without Drain Hole	with Drain Hole	Seal Kit	Diameter ØD1	Hole Size ØD1	H	
EC-06-CW-AS-BP-B-W1			146	11,1	33	1,2
			5.75	.44	1.31	2.5
EC-10-CW-B-W1	EC-10-D-CW-B-W1	Seal-kit-EC-10-CW-B	254	17,4	44,5	2,1
			10.00	.69	1.75	4.5
EC-12-CW-B-W1	EC-12-D-CW-B-W1	Seal-kit-EC-12-CW-B	308	17,4	44,5	3,0
			12.13	.69	1.75	6.5
EC-14-CW-B-W1	EC-14-D-CW-B-W1	Seal-kit-EC-14-CW-B	359	17,4	44,5	3,9
			14.13	.69	1.75	8.5
EC-16-CW-B-W1		Seal-kit-EC-16-CW-B	410	17,4	44,5	4,8
			16.15	.69	1.75	10.5
EC-18-CW-B-W1	EC-18-D-CW-B-W1	Seal-kit-EC-18-CW-B	460	17,4	51	6,2
			18.11	.69	1,75	13.5

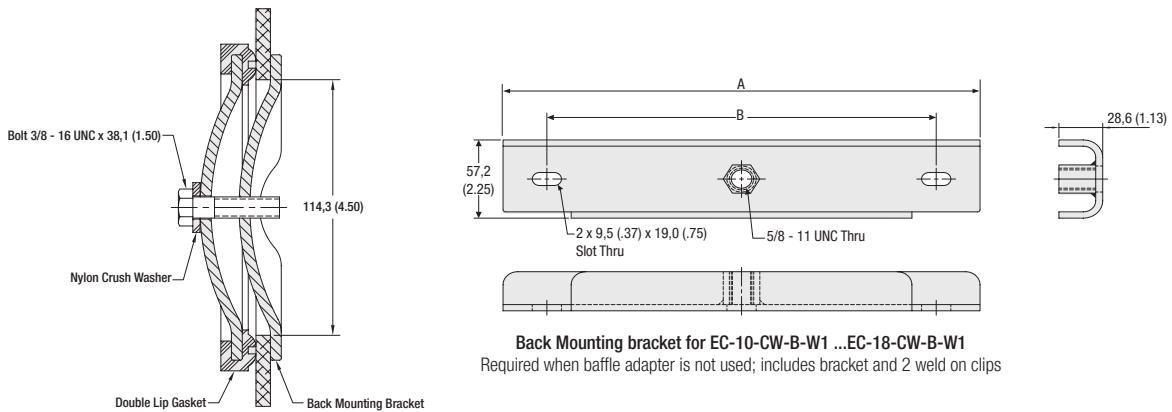
Baffle Adapters for Reservoir End Covers



Dimensions and Order Codes

Order Code	Description
EC-ASBA-10-12-W3	Mounting Bolt for EC-10-CW-B-W1 / EC-12-CW-B-W1: 5/8 - 11 UNC X 1.50 (38,1)
EC-ASBA-14-16-W3	Mounting Bolt for EC-14-CW-B-W1: 5/8 - 11 UNC x 2.00 (50,8)
EC-ASBA-18-W3	Mounting Bolt for EC-18-CW-B-W1: 5/8 - 11 UNC x 2.50 (63,5)
Baffle-Adaptor-EC-W1	Baffle Adaptor
Baffle-Adaptor-PinEC-W1	Baffle Pin
Washer-EC-PA-Crush	Crush Washer

Back Mounting Brackets for Reservoir End Covers



Back Mounting bracket for EC-10-CW-B-W1 ...EC-18-CW-B-W1
 Required when baffle adapter is not used; includes bracket and 2 weld on clips

Back Mounting bracket for EC-06-CW-AS-BP-B-W1
 EC-06-CW-AS-BP-B-W1 supplied with back mounting bracket

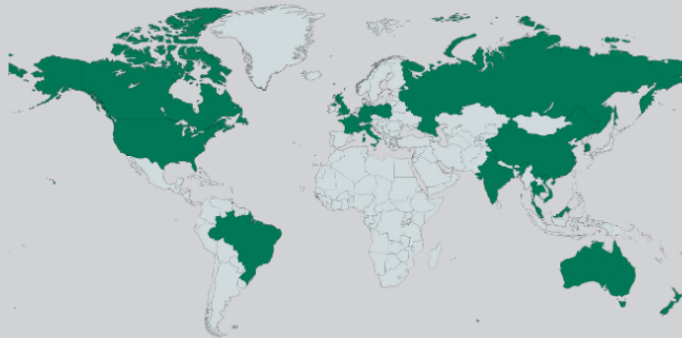
Dimensions and Order Codes

Order Code	Dimensions (mm/in)				Weight (kg/lbs)
	End Cover Ø	Access Hole Ø	A	B	
EC-BMB-10-W1	254	203,2	305	254	1,2
	10.00	8.00	12.00	10.00	2.5
EC-BMB-12-W1	308	254,0	356	305	1,4
	12.13	10.00	14.02	12.00	3.0
EC-BMB-14-W1	359	304,8	413	362	1,4
	14.13	12.00	16.26	14.25	3.0
EC-BMB-16-W1	410	355,6	464	413	1,8
	16.15	14.00	18.27	16.26	4.0
EC-BMB-18-W1	460	406,6	514	464	1,8
	18.11	16.00	20.24	18.27	4.0





**STAUFF North America
Product Catalog Supplement**



STAUFF North America

United States

STAUFF Corporation - New Jersey
7 Wm. Demarest Place
Waldwick, NJ
07463-1542

STAUFF Corporation - Michigan

42650 Executive Drive
Canton, MI
48188

Tel.: 201-444-7800
Fax: 201-444-7852
E-Mail: sales@stauffusa.com
www.stauffusa.com

Canada

STAUFF Canada Ltd.
866 Milner Ave
Scarborough, Ontario
M1B 5N7
Tel.: 416-282-4608
Fax: 416-282-3039
E-Mail: sales@stauffcanada.com
www.stauffcanada.com