

# Crimping Dimensions Table - STAUFF Hose Connectors



## Table of contents

### Hose Types for **Non-Skive** Integration

Textile Hose 2TE (EN 854)	2
Textile Hose 3TE (EN 854)	3
Braided Hose 1SN (EN 853)	4
Braided Hose 2SN (EN 853)	5
Compact Braided Hose 1SC (EN 857)	6
Compact Braided Hose 2SC (EN 857)	7
Compact Braided Hose 1SN-K (EN 857)	8
Compact Braided Hose 2SN-K (EN 857)	9

### Hose Types for **Skive** Integration

Braided Hose 1SN (EN 853)	10
Braided Hose 2SN (EN 853)	11
Compact Braided Hose 2SC (EN 857)	12
Compact Braided Hose 2SN-K (EN 857)	13
Spiral Hose 4SP (EN 856)	14
Spiral Hose Flexline 4000 (EN 856)	15
Spiral Hose Flexline 5000 (EN 856)	16
Spiral Hose Flexline 6000 (EN 856)	17
Spiral Hose 4SH (EN 856)	18
Spiral Hose R13 (SAE 100 R13)	19
Spiral Hose R15 (SAE 100 R15)	20

# Crimping Dimensions Table - STAUFF Hose Connectors



Hose Types for **Non-Skive** Integration

## Textile Hose 2TE (EN 854)

Hose Size		
DN	inch	Dash

5	3/16"	03
6	1/4"	04
8	5/16"	05
10	3/8"	06
12	1/2"	08
16	5/8"	10
19	3/4"	12
25	1"	16
31	1 1/4"	20

Connector Range
-----------------

ECOVOS
ECOVOS
ECOVOS
ECOVOS
ECOVOS
ECOVOS
ECOVOS
ECOVOS
ECOVOS
ECOVOS

STAUFF Part Numbers	STAUFF Ordering Codes	Old Part Numbers
---------------------	-----------------------	------------------

6100095036	HF-1001-05-W3	15110N05
6100058573	HF-1005-06-W3	15330N06
2012032175	HF-1005-08-W3	15330N08
6100058570	HF-1005-10-W3	15330N10
6100058568	HF-1005-12-W3	15330N12
6100058567	HF-1005-16-W3	15330N16
6100058566	HF-1005-19-W3	15330N20
6100088630	HF-1005-25-W3	15330N25
6100095050	HF-1005-31-W3	15330N32

Outer Ø of Swage Ferrule mm	Recommended Crimping Dimension mm
-----------------------------	-----------------------------------

17.0	<b>14.0</b>
19.0	<b>15.6</b>
22.3	<b>18.3</b>
23.0	<b>19.0</b>
27.0	<b>22.5</b>
32.0	<b>27.5</b>
35.0	<b>30.8</b>
42.0	<b>37.8</b>
48.0	<b>44.8</b>

The crimping values only apply to hoses within DIN tolerances and/or with comparable hose types within SAE tolerances. This table of crimping values does not release the person/company assembling the hoses from carrying out the requisite individual tests on the hose and hose lines to comply with DIN and other standards.

Publication of the crimping dimensions table "version 09/2020" supersedes all previous versions!  
The latest version of this crimping dimensions table can always be found at [www.stauff.com/crimping\\_values](http://www.stauff.com/crimping_values)

Subject to technical modifications.  
Version: 09/2020

# Crimping Dimensions Table - STAUFF Hose Connectors



Hose Types for **Non-Skive** Integration

## Textile Hose 3TE (EN 854)

Hose Size		
DN	inch	Dash

Connector Range
-----------------

STAUFF Part Numbers	STAUFF Ordering Codes	Old Part Numbers
---------------------	-----------------------	------------------

Outer Ø of Swage Ferrule mm	Recommended Crimping Dimension mm
-----------------------------	-----------------------------------

5	3/16"	03
6	1/4"	04
8	5/16"	05
10	3/8"	06
12	1/2"	08
16	5/8"	10
19	3/4"	12
25	1"	16
31	1 1/4"	20
51	2"	32

ECOVOS
ECOVOS
ECOVOS
ECOVOS
ECOVOS
ECOVOS
ECOVOS
ECOVOS
ECOVOS
ECOVOS
ECOVOS
ECOVOS

6100095039	HF-1002-05-W3	15220N05
6100058573	HF-1005-06-W3	15330N06
2012032175	HF-1005-08-W3	15330N08
6100058570	HF-1005-10-W3	15330N10
6100058568	HF-1005-12-W3	15330N12
6100058567	HF-1005-16-W3	15330N16
6100058566	HF-1005-19-W3	15330N20
6100088630	HF-1005-25-W3	15330N25
6100095050	HF-1005-31-W3	15330N32
6100095052	HF-1005-51-W3	15330N50

17.0	<b>15.2</b>
19.0	<b>15.9</b>
22.3	<b>19.1</b>
23.0	<b>20.0</b>
27.0	<b>23.8</b>
32.0	<b>28.4</b>
35.0	<b>32.2</b>
42.0	<b>38.5</b>
48.0	<b>45.3</b>
75.9	<b>70.0</b>

The crimping values only apply to hoses within DIN tolerances and/or with comparable hose types within SAE tolerances. This table of crimping values does not release the person/company assembling the hoses from carrying out the requisite individual tests on the hose and hose lines to comply with DIN and other standards.

Publication of the crimping dimensions table "version 09/2020" supersedes all previous versions!  
The latest version of this crimping dimensions table can always be found at [www.stauff.com/crimping\\_values](http://www.stauff.com/crimping_values)

Subject to technical modifications.  
Version: 09/2020

# Crimping Dimensions Table - STAUFF Hose Connectors



Hose Types for **Non-Skive** Integration

## Braided Hose 1SN (EN 853)

Hose Size		
DN	inch	Dash

6	1/4"	04
8	5/16"	05
10	3/8"	06
12	1/2"	08
16	5/8"	10
19	3/4"	12
25	1"	16
31	1 1/4"	20
38	1 1/2"	24
51	2"	32

Connector Range
-----------------

ECOVOS
ECOVOS
ECOVOS
ECOVOS
ECOVOS
ECOVOS
ECOVOS
ECOVOS
ECOVOS
ECOVOS
ECOVOS
ECOVOS

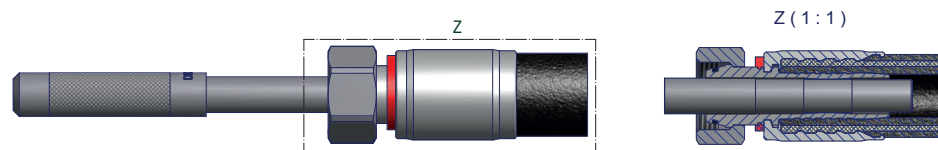
STAUFF Part Numbers	STAUFF Ordering Codes	Old Part Numbers
---------------------	-----------------------	------------------

2012031318	HF-1000-06-W3	15011N06
6100058564	HF-1000-08-W3	15011N08
2012031319	HF-1000-10-W3	15011N10
2012031320	HF-1000-12-W3	15011N12
6100060738	HF-1000-16-W3	15011N16
2012031321	HF-1000-19-W3	15011N20
2012031442	HF-1000-25-W3	15011N25
2012032237	HF-1000-31-W3	15011N32
6100030769	HF-1000-38-W3	15011N40
6100060740	HF-1000-51-W3	15011N50

Outer Ø of Swage Ferrule mm	Recommended Crimping Dimension mm
-----------------------------	-----------------------------------

21.0	<b>15.8</b>
22.5	<b>17.0</b>
26.5	<b>20.8</b>
30.0	<b>24.0</b>
34.0	<b>27.5</b>
38.0	<b>31.8</b>
47.0	<b>39.8</b>
57.0	<b>47.0</b>
65.0	<b>55.5</b>
78.0	<b>69.4</b>

### Checking the operability of the crimped hose connectors for optimum reduction of the nipple diameter



The crimping values only apply to hoses within DIN tolerances and/or with comparable hose types within SAE tolerances. This table of crimping values does not release the person/company assembling the hoses from carrying out the requisite individual tests on the hose and hose lines to comply with DIN and other standards.

Publication of the crimping dimensions table "version 09/2020" supersedes all previous versions!  
The latest version of this crimping dimensions table can always be found at [www.stauff.com/crimping\\_values](http://www.stauff.com/crimping_values)

Subject to technical modifications.  
Version: 09/2020

# Crimping Dimensions Table - STAUFF Hose Connectors



Hose Types for **Non-Skive** Integration

## Braided Hose 2SN (EN 853)

Hose Size		
DN	inch	Dash

6	1/4"	04
8	5/16"	05
10	3/8"	06
12	1/2"	08
16	5/8"	10
19	3/4"	12
25	1"	16
31	1 1/4"	20
38	1 1/2"	24
51	2"	32

Connector Range
-----------------

ECOVOS
ECOVOS
ECOVOS
ECOVOS
ECOVOS
ECOVOS
ECOVOS
ECOVOS
ECOVOS
ECOVOS
ECOVOS
ECOVOS

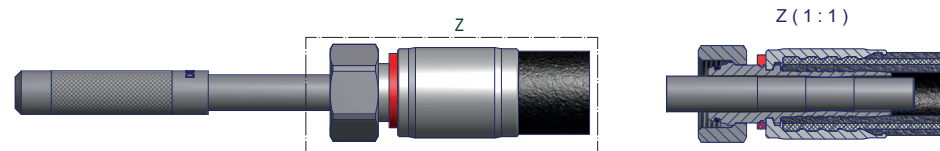
STAUFF Part Numbers	STAUFF Ordering Codes	Old Part Numbers
---------------------	-----------------------	------------------

2012031318	HF-1000-06-W3	15011N06
6100058564	HF-1000-08-W3	15011N08
2012031319	HF-1000-10-W3	15011N10
2012031320	HF-1000-12-W3	15011N12
6100060738	HF-1000-16-W3	15011N16
2012031321	HF-1000-19-W3	15011N20
2012031442	HF-1000-25-W3	15011N25
2012032237	HF-1000-31-W3	15011N32
6100030769	HF-1000-38-W3	15011N40
6100060740	HF-1000-51-W3	15011N50

Outer Ø of Swage Ferrule mm	Recommended Crimping Dimension mm
-----------------------------	-----------------------------------

21.0	<b>16.7</b>
22.5	<b>18.3</b>
26.5	<b>21.7</b>
30.0	<b>24.8</b>
34.0	<b>28.6</b>
38.0	<b>32.4</b>
47.0	<b>41.1</b>
57.0	<b>50.1</b>
65.0	<b>58.9</b>
78.0	<b>71.3</b>

### Checking the operability of the crimped hose connectors for optimum reduction of the nipple diameter



The crimping values only apply to hoses within DIN tolerances and/or with comparable hose types within SAE tolerances. This table of crimping values does not release the person/company assembling the hoses from carrying out the requisite individual tests on the hose and hose lines to comply with DIN and other standards.

Publication of the crimping dimensions table "version 09/2020" supersedes all previous versions!  
The latest version of this crimping dimensions table can always be found at [www.stauff.com/crimping\\_values](http://www.stauff.com/crimping_values)

Subject to technical modifications.  
Version: 09/2020

# Crimping Dimensions Table - STAUFF Hose Connectors



Hose Types for **Non-Skive** Integration

## Compact Braided Hose 1SC (EN 857)

Hose Size		
DN	inch	Dash

Connector Range
-----------------

STAUFF Part Numbers	STAUFF Ordering Codes	Old Part Numbers
---------------------	-----------------------	------------------

Outer Ø of Swage Ferrule mm	Recommended Crimping Dimension mm
-----------------------------	-----------------------------------

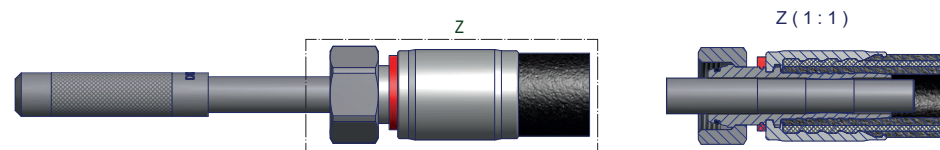
6	1/4"	04
6	1/4"	04
8	5/16"	05
8	5/16"	05
10	3/8"	06
10	3/8"	06
12	1/2"	08
12	1/2"	08
16	5/8"	10
19	3/4"	12
25	1"	16

ECOVOS
CVOS
ECOVOS
CVOS
ECOVOS
CVOS
ECOVOS
CVOS
ECOVOS
CVOS
ECOVOS
CVOS

6100025074	HF-2001-06-W3	15021N06
6100060744	HF-1004-06-W3	15311N06
6100060741	HF-2001-08-W3	15021N08
6100060745	HF-1004-08-W3	15311N08
6100058450	HF-2001-10-W3	15021N10
6100060746	HF-1004-10-W3	15311N10
6100113584	HF-1004-10-W3/2	15311N10-BTB01
2012032391	HF-2001-12-W3	15021N12
6100113586	HF-2001-12-W3/2	15021N12-BTB01
6100060747	HF-1004-12-W3	15311N12
6100060742	HF-2001-16-W3	15021N16
6100113585	HF-2001-16-W3/2	15021N16-BTB01
6100025070	HF-2001-19-W3	15021N20
6100060743	HF-2001-25-W3	15021N25

20.0	<b>16.4</b>
19.0	<b>14.6</b>
20.6	<b>16.8</b>
21.0	<b>15.9</b>
23.6	<b>20.1</b>
24.0	<b>19.3</b>
23.6	<b>19.5</b>
27.0	<b>24.2</b>
26.5	<b>23.8</b>
27.5	<b>22.8</b>
31.0	<b>27.4</b>
30.0	<b>26.5</b>
35.0	<b>31.2</b>
42.0	<b>38.2</b>

### Checking the operability of the crimped hose connectors for optimum reduction of the nipple diameter



The crimping values only apply to hoses within DIN tolerances and/or with comparable hose types within SAE tolerances. This table of crimping values does not release the person/company assembling the hoses from carrying out the requisite individual tests on the hose and hose lines to comply with DIN and other standards.

Publication of the crimping dimensions table "version 09/2020" supersedes all previous versions!  
The latest version of this crimping dimensions table can always be found at [www.stauff.com/crimping\\_values](http://www.stauff.com/crimping_values)

Subject to technical modifications.  
Version: 09/2020

# Crimping Dimensions Table - STAUFF Hose Connectors



Hose Types for **Non-Skive** Integration

## Compact Braided Hose 2SC (EN 857)

Hose Size		
DN	inch	Dash

Connector Range
-----------------

STAUFF Part Numbers	STAUFF Ordering Codes	Old Part Numbers
---------------------	-----------------------	------------------

Outer Ø of Swage Ferrule mm	Recommended Crimping Dimension mm
-----------------------------	-----------------------------------

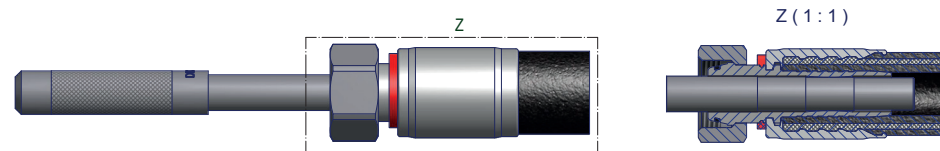
6	1/4"	04
6	1/4"	04
8	5/16"	05
8	5/16"	05
10	3/8"	06
10	3/8"	06
12	1/2"	08
12	1/2"	08
16	5/8"	10
19	3/4"	12
25	1"	16

ECOVOS
CVOS
ECOVOS
CVOS
ECOVOS
CVOS
ECOVOS
CVOS
ECOVOS
CVOS
ECOVOS
CVOS
ECOVOS
CVOS
ECOVOS
CVOS

2012031318	HF-1000-06-W3	15011N06
6100060744	HF-1004-06-W3	15311N06
6100058564	HF-1000-08-W3	15011N08
6100060745	HF-1004-08-W3	15311N08
2012031319	HF-1000-10-W3	15011N10
6100060746	HF-1004-10-W3	15311N10
6100113584	HF-1004-10-W3/2	15311N10-BTB01
2012031320	HF-1000-12-W3	15011N12
6100060747	HF-1004-12-W3	15311N12
6100060738	HF-1000-16-W3	15011N16
2012031321	HF-1000-19-W3	15011N20
2012031442	HF-1000-25-W3	15011N25

21.0	<b>16.1</b>
19.0	<b>15.5</b>
22.5	<b>17.4</b>
21.0	<b>17.0</b>
26.5	<b>20.7</b>
24.0	<b>20.0</b>
23.6	<b>20.0</b>
30.0	<b>24.1</b>
27.5	<b>22.9</b>
34.0	<b>28.2</b>
38.0	<b>31.9</b>
47.0	<b>40.2</b>

### Checking the operability of the crimped hose connectors for optimum reduction of the nipple diameter



The crimping values only apply to hoses within DIN tolerances and/or with comparable hose types within SAE tolerances. This table of crimping values does not release the person/company assembling the hoses from carrying out the requisite individual tests on the hose and hose lines to comply with DIN and other standards.

Publication of the crimping dimensions table "version 09/2020" supersedes all previous versions!  
The latest version of this crimping dimensions table can always be found at [www.stauff.com/crimping\\_values](http://www.stauff.com/crimping_values)

Subject to technical modifications.  
Version: 09/2020

# Crimping Dimensions Table - STAUFF Hose Connectors



Hose Types for **Non-Skive** Integration

## Compact Braided Hose 1SN-K (EN 857)

Hose Size		
DN	inch	Dash

6	1/4"	04
6	1/4"	04
8	5/16"	05
8	5/16"	05
10	3/8"	06
10	3/8"	06
12	1/2"	08
12	1/2"	08
16	5/8"	10

Connector Range
-----------------

ECOVOS
CVOS
ECOVOS
CVOS
ECOVOS
CVOS
ECOVOS
CVOS
ECOVOS
CVOS
ECOVOS

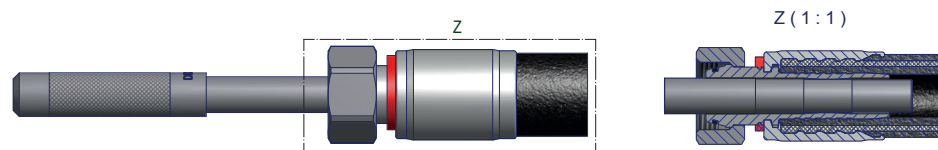
STAUFF Part Numbers	STAUFF Ordering Codes	Old Part Numbers
---------------------	-----------------------	------------------

6100025074	HF-2001-06-W3	15021N06
6100060744	HF-1004-06-W3	15311N06
6100060741	HF-2001-08-W3	15021N08
6100060745	HF-1004-08-W3	15311N08
6100058450	HF-2001-10-W3	15021N10
6100060746	HF-1004-10-W3	15311N10
6100113584	HF-1004-10-W3/2	15311N10-BTB01
2012032391	HF-2001-12-W3	15021N12
6100113586	HF-2001-12-W3/2	15021N12-BTB01
6100060747	HF-1004-12-W3	15311N12
6100060742	HF-2001-16-W3	15021N16
6100113585	HF-2001-16-W3/2	15021N16-BTB01

Outer Ø of Swage Ferrule mm	Recommended Crimping Dimension mm
-----------------------------	-----------------------------------

20.0	<b>16.5</b>
19.0	<b>14.6</b>
20.6	<b>16.5</b>
21.0	<b>16.1</b>
23.6	<b>20.0</b>
24.0	<b>19.2</b>
23.6	<b>19.5</b>
27.0	<b>24.2</b>
26.5	<b>24.0</b>
27.5	<b>21.9</b>
31.0	<b>27.5</b>
30.0	<b>26.5</b>

### Checking the operability of the crimped hose connectors for optimum reduction of the nipple diameter



The crimping values only apply to hoses within DIN tolerances and/or with comparable hose types within SAE tolerances. This table of crimping values does not release the person/company assembling the hoses from carrying out the requisite individual tests on the hose and hose lines to comply with DIN and other standards.

Publication of the crimping dimensions table "version 09/2020" supersedes all previous versions!  
The latest version of this crimping dimensions table can always be found at [www.stauff.com/crimping\\_values](http://www.stauff.com/crimping_values)

Subject to technical modifications.  
Version: 09/2020



# Crimping Dimensions Table - STAUFF Hose Connectors



Hose Types for **Non-Skive** Integration

## Compact Braided Hose 2SN-K (EN 857)

Hose Size		
DN	inch	Dash

Connector Range
-----------------

STAUFF Part Numbers	STAUFF Ordering Codes	Old Part Numbers
---------------------	-----------------------	------------------

Outer Ø of Swage Ferrule mm	Recommended Crimping Dimension mm
-----------------------------	-----------------------------------

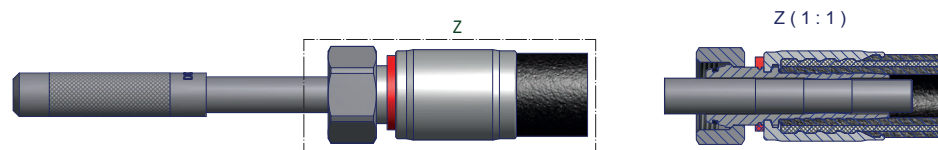
6	1/4"	04
6	1/4"	04
8	5/16"	05
8	5/16"	05
10	3/8"	06
10	3/8"	06
12	1/2"	08
12	1/2"	08
16	5/8"	10
19	3/4"	12
25	1"	16

ECOVOS
CVOS
ECOVOS
CVOS
ECOVOS
CVOS
ECOVOS
CVOS
ECOVOS
CVOS
ECOVOS
CVOS
ECOVOS
CVOS
ECOVOS
CVOS

2012031318	HF-1000-06-W3	15011N06
6100060744	HF-1004-06-W3	15311N06
6100058564	HF-1000-08-W3	15011N08
6100060745	HF-1004-08-W3	15311N08
2012031319	HF-1000-10-W3	15011N10
6100060746	HF-1004-10-W3	15311N10
6100113584	HF-1004-10-W3/2	15311N10-BTB01
2012031320	HF-1000-12-W3	15011N12
6100060747	HF-1004-12-W3	15311N12
6100060738	HF-1000-16-W3	15011N16
2012031321	HF-1000-19-W3	15011N20
2012031442	HF-1000-25-W3	15011N25

21.0	<b>16.3</b>
19.0	<b>16.3</b>
22.5	<b>17.5</b>
21.0	<b>16.9</b>
26.5	<b>20.9</b>
24.0	<b>20.2</b>
23.6	<b>19.9</b>
30.0	<b>24.6</b>
27.5	<b>23.3</b>
34.0	<b>28.5</b>
38.0	<b>31.7</b>
47.0	<b>40.4</b>

### Checking the operability of the crimped hose connectors for optimum reduction of the nipple diameter



The crimping values only apply to hoses within DIN tolerances and/or with comparable hose types within SAE tolerances. This table of crimping values does not release the person/company assembling the hoses from carrying out the requisite individual tests on the hose and hose lines to comply with DIN and other standards.

Publication of the crimping dimensions table "version 09/2020" supersedes all previous versions!  
The latest version of this crimping dimensions table can always be found at [www.stauff.com/crimping\\_values](http://www.stauff.com/crimping_values)

Subject to technical modifications.  
Version: 09/2020

# Crimping Dimensions Table - STAUFF Hose Connectors

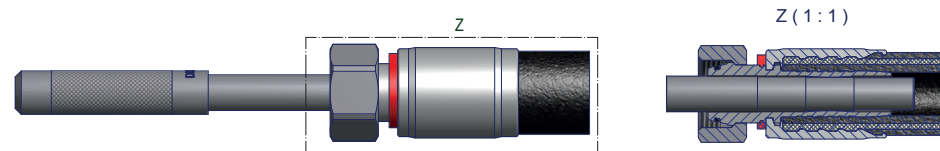


Hose Types for **Skive** Integration

## Braided Hose 1SN (EN 853)

Hose Size			Connector Range	STAUFF Part Numbers	STAUFF Ordering Codes	Old Part Numbers	Outer Ø of Swage Ferrule mm	Recommended Crimping Dimension mm	Skive Length	
DN	inch	Dash							Outside mm	Inside mm
5	3/16"	03	ECOVOS	6100095087	HF-3001-05-W3	15100N05	17.3	14.5	20.0	

### Checking the operability of the crimped hose connectors for optimum reduction of the nipple diameter



The crimping values only apply to hoses within DIN tolerances and/or with comparable hose types within SAE tolerances. This table of crimping values does not release the person/company assembling the hoses from carrying out the requisite individual tests on the hose and hose lines to comply with DIN and other standards.

Publication of the crimping dimensions table "version 09/2020" supersedes all previous versions!  
The latest version of this crimping dimensions table can always be found at [www.stauff.com/crimping\\_values](http://www.stauff.com/crimping_values)

Subject to technical modifications.  
Version: 09/2020

# Crimping Dimensions Table - STAUFF Hose Connectors

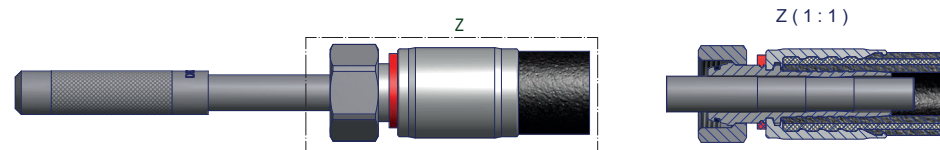


Hose Types for **Skive** Integration

## Braided Hose 2SN (EN 853)

Hose Size			Connector Range	STAUFF Part Numbers	STAUFF Ordering Codes	Old Part Numbers	Outer Ø of Swage Ferrule mm	Recommended Crimping Dimension mm	Skive Length	
DN	inch	Dash							Outside mm	Inside mm
5	3/16"	03	ECOVOS	6100095088	HF-3002-05-W3	15200N05	19.0	<b>15.8</b>	20.0	
6	1/4"	04	ECOVOS	6100058572	HF-3000-06-W3	15031N06	22.0	<b>18.1</b>	25.0	
8	5/16"	05	ECOVOS	6100058571	HF-3000-08-W3	15031N08	23.0	<b>18.2</b>	22.0	
10	3/8"	06	ECOVOS	6100058569	HF-3000-10-W3	15031N10	26.0	<b>21.6</b>	28.0	
12	1/2"	08	ECOVOS	6100034501	HF-3000-12-W3	15031N12	30.0	<b>24.8</b>	29.0	
16	5/8"	10	ECOVOS	6100060748	HF-3000-16-W3	15031N16	33.6	<b>28.8</b>	29.0	
19	3/4"	12	ECOVOS	6100060749	HF-3000-19-W3	15031N20	39.0	<b>33.3</b>	37.0	
25	1"	16	ECOVOS	6100059977	HF-3000-25-W3	15031N25	46.0	<b>40.9</b>	44.0	
32	1 1/4"	20	ECOVOS	6100095083	HF-3000-31-W3	15031N32	57.0	<b>50.4</b>	49.0	
38	1 1/2"	24	ECOVOS	6100032578	HF-3000-38-W3	15031N40	65.0	<b>59.2</b>	55.0	
51	2"	32	ECOVOS	6100060750	HF-3000-51-W3	15031N50	78.0	<b>72.4</b>	62.0	

### Checking the operability of the crimped hose connectors for optimum reduction of the nipple diameter



The crimping values only apply to hoses within DIN tolerances and/or with comparable hose types within SAE tolerances. This table of crimping values does not release the person/company assembling the hoses from carrying out the requisite individual tests on the hose and hose lines to comply with DIN and other standards.

Publication of the crimping dimensions table "version 09/2020" supersedes all previous versions!  
The latest version of this crimping dimensions table can always be found at [www.stauff.com/crimping\\_values](http://www.stauff.com/crimping_values)

Subject to technical modifications.  
Version: 09/2020

# Crimping Dimensions Table - STAUFF Hose Connectors

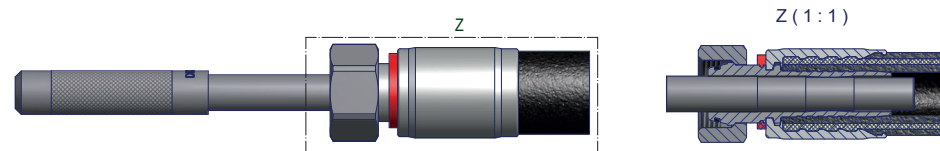


Hose Types for **Skive** Integration

## Compact Braided Hose 2SC (EN 857)

Hose Size			Connector Range	STAUFF Part Numbers	STAUFF Ordering Codes	Old Part Numbers	Outer Ø of Swage Ferrule mm	Recommended Crimping Dimension mm	Skive Length	
DN	inch	Dash							Outside mm	Inside mm
6	1/4"	04	ECOVOS	6100025074	HF-2001-06-W3	15021N06	20.0	<b>16.8</b>	22.0	
8	5/16"	05	ECOVOS	6100060741	HF-2001-08-W3	15021N08	20.6	<b>16.7</b>	22.0	
10	3/8"	06	ECOVOS	6100058450	HF-2001-10-W3	15021N10	23.6	<b>20.1</b>	24.0	
12	1/2"	08	ECOVOS	6100034501	HF-3000-12-W3	15031N12	30.0	<b>24.6</b>	29.0	
16	5/8"	10	ECOVOS	6100060748	HF-3000-16-W3	15031N16	33.6	<b>28.0</b>	29.0	
19	3/4"	12	ECOVOS	6100060749	HF-3000-19-W3	15031N20	39.0	<b>33.4</b>	37.0	
25	1"	16	ECOVOS	6100060743	HF-2001-25-W3	15021N25	42.0	<b>38.3</b>	37.0	

### Checking the operability of the crimped hose connectors for optimum reduction of the nipple diameter



The crimping values only apply to hoses within DIN tolerances and/or with comparable hose types within SAE tolerances. This table of crimping values does not release the person/company assembling the hoses from carrying out the requisite individual tests on the hose and hose lines to comply with DIN and other standards.

Publication of the crimping dimensions table "version 09/2020" supersedes all previous versions!  
The latest version of this crimping dimensions table can always be found at [www.stauff.com/crimping\\_values](http://www.stauff.com/crimping_values)

Subject to technical modifications.  
Version: 09/2020

# Crimping Dimensions Table - STAUFF Hose Connectors

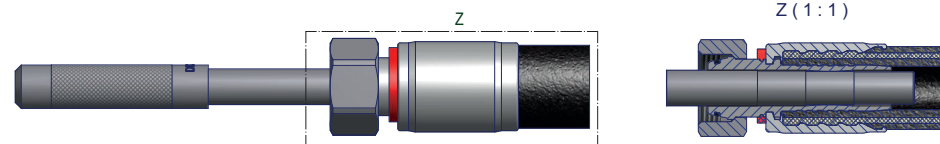


Hose Types for **Skive** Integration

## Compact Braided Hose 2SN-K (EN 857)

Hose Size			Connector Range	STAUFF Part Numbers	STAUFF Ordering Codes	Old Part Numbers	Outer Ø of Swage Ferrule mm	Recommended Crimping Dimension mm	Skive Length	
DN	inch	Dash							Outside mm	Inside mm
8	5/16"	05	ECOVOS	6100060741	HF-2001-08-W3	15021N08	20.6	<b>16.7</b>	22.0	
10	3/8"	06	ECOVOS	6100058450	HF-2001-10-W3	15021N10	23.6	<b>20.0</b>	24.0	
12	1/2"	08	ECOVOS	2012032391	HF-2001-12-W3	15021N12	27.0	<b>24.3</b>	26.0	
				6100113586	HF-2001-12-W3/2	15021N12-BTB01	26.5	<b>24.0</b>		
16	5/8"	10	ECOVOS	6100060748	HF-3000-16-W3	15031N16	33.6	<b>27.8</b>	28.0	
19	3/4"	12	ECOVOS	6100060749	HF-3000-19-W3	15031N20	39.0	<b>32.8</b>	37.0	
25	1"	16	ECOVOS	6100060743	HF-2001-25-W3	15021N25	42.0	<b>39.1</b>	37.0	

### Checking the operability of the crimped hose connectors for optimum reduction of the nipple diameter



The crimping values only apply to hoses within DIN tolerances and/or with comparable hose types within SAE tolerances. This table of crimping values does not release the person/company assembling the hoses from carrying out the requisite individual tests on the hose and hose lines to comply with DIN and other standards.

Publication of the crimping dimensions table "version 09/2020" supersedes all previous versions!  
The latest version of this crimping dimensions table can always be found at [www.stauff.com/crimping\\_values](http://www.stauff.com/crimping_values)

Subject to technical modifications.  
Version: 09/2020

# Crimping Dimensions Table - STAUFF Hose Connectors

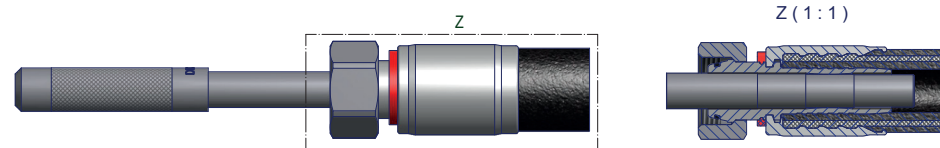


Hose Types for **Skive** Integration

## Spiral Hose 4SP (EN 856)

Hose Size			Connector Range	STAUFF Part Numbers	STAUFF Ordering Codes	Old Part Numbers	Outer Ø of Swage Ferrule mm	Recommended Crimping Dimension mm	Skive Length	
DN	inch	Dash							Outside mm	Inside mm
10	3/8"	06	ECOVOS	6100058569	HF-3000-10-W3	15031N10	26.0	<b>22.3</b>	28.0	
12	1/2"	08	ECOVOS	6100034501	HF-3000-12-W3	15031N12	30.0	<b>25.5</b>	28.0	
16	5/8"	10	ECOVOS	6100060748	HF-3000-16-W3	15031N16	33.6	<b>29.0</b>	29.0	
19	3/4"	12	ECOVOS	6100060749	HF-3000-19-W3	15031N20	39.0	<b>34.2</b>	37.0	
25	1"	16	ECOVOS	6100059977	HF-3000-25-W3	15031N25	46.0	<b>41.0</b>	44.0	
31	1 1/4"	20	ECOVOS	6100095083	HF-3000-31-W3	15031N32	57.0	<b>52.2</b>	49.0	
38	1 1/2"	24	ECOVOS	6100032578	HF-3000-38-W3	15031N40	65.0	<b>60.3</b>	55.0	
51	2"	32	ECOVOS	6100060750	HF-3000-51-W3	15031N50	78.0	<b>74.0</b>	62.0	

### Checking the operability of the crimped hose connectors for optimum reduction of the nipple diameter



The crimping values only apply to hoses within DIN tolerances and/or with comparable hose types within SAE tolerances. This table of crimping values does not release the person/company assembling the hoses from carrying out the requisite individual tests on the hose and hose lines to comply with DIN and other standards.

Publication of the crimping dimensions table "version 09/2020" supersedes all previous versions!  
The latest version of this crimping dimensions table can always be found at [www.stauff.com/crimping\\_values](http://www.stauff.com/crimping_values)

Subject to technical modifications.  
Version: 09/2020

# Crimping Dimensions Table - STAUFF Hose Connectors

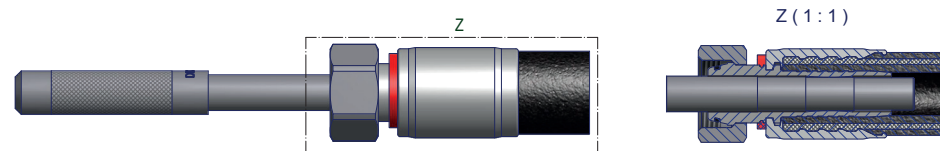


Hose Types for **Skive** Integration

## Spiral Hose Flexline 4000 (EN 856)

Hose Size			Connector Range	STAUFF Part Numbers	STAUFF Ordering Codes	Old Part Numbers	Outer Ø of Swage Ferrule mm	Recommended Crimping Dimension mm	Skive Length	
DN	inch	Dash							Outside mm	Inside mm
10	3/8"	06	ECOVOS	6100058569	HF-3000-10-W3	15031N10	26.0	<b>22.3</b>	28.0	
12	1/2"	08	ECOVOS	6100034501	HF-3000-12-W3	15031N12	30.0	<b>25.2</b>	28.0	
16	5/8"	10	ECOVOS	6100060748	HF-3000-16-W3	15031N16	33.6	<b>29.0</b>	29.0	
19	3/4"	12	ECOVOS	6100060749	HF-3000-19-W3	15031N20	39.0	<b>34.2</b>	37.0	
25	1"	16	ECOVOS	6100059977	HF-3000-25-W3	15031N25	46.0	<b>41.0</b>	44.0	

### Checking the operability of the crimped hose connectors for optimum reduction of the nipple diameter



The crimping values only apply to hoses within DIN tolerances and/or with comparable hose types within SAE tolerances. This table of crimping values does not release the person/company assembling the hoses from carrying out the requisite individual tests on the hose and hose lines to comply with DIN and other standards.

Publication of the crimping dimensions table "version 09/2020" supersedes all previous versions!  
The latest version of this crimping dimensions table can always be found at [www.stauff.com/crimping\\_values](http://www.stauff.com/crimping_values)

Subject to technical modifications.  
Version: 09/2020

# Crimping Dimensions Table - STAUFF Hose Connectors

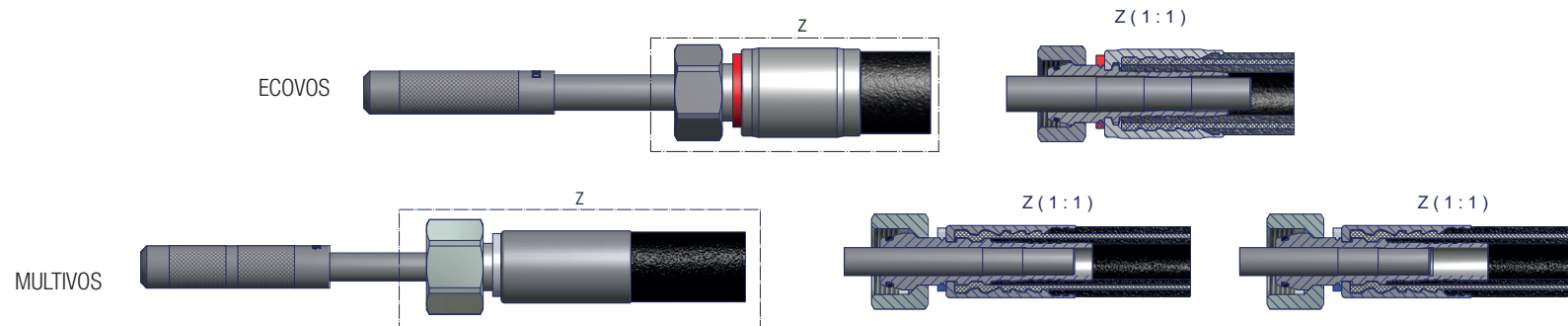


Hose Types for **Skive** Integration

## Spiral Hose Flexline 5000 (EN 856)

Hose Size			Connector Range	STAUFF Part Numbers	STAUFF Ordering Codes	Old Part Numbers	Outer Ø of Swage Ferrule mm	Recommended Crimping Dimension mm	Skive Length	
DN	inch	Dash							Outside mm	Inside mm
10	3/8"	06	ECOVOS	6100058569	HF-3000-10-W3	15031N10	26.0	<b>22.2</b>	28.0	
12	1/2"	08	ECOVOS	6100034501	HF-3000-12-W3	15031N12	30.0	<b>25.3</b>	28.0	
16	5/8"	10	ECOVOS	6100060748	HF-3000-16-W3	15031N16	33.6	<b>28.7</b>	29.0	
19	3/4"	12	ECOVOS	6100060749	HF-3000-19-W3	15031N20	39.0	<b>34.1</b>	37.0	
25	1"	16	ECOVOS	6100059977	HF-3000-25-W3	15031N25	46.0	<b>41.0</b>	44.0	
31	1 1/4"	20	ECOVOS	6100095083	HF-3000-31-W3	15031N32	57.0	<b>50.1</b>	49.0	
31	1 1/4"	20	MULTIVOS	6100095092	HF-5000-31-W3	15425N32	55.6	<b>50.0</b>	64.0	21.0

### Checking the operability of the crimped hose connectors for optimum reduction of the nipple diameter



The crimping values only apply to hoses within DIN tolerances and/or with comparable hose types within SAE tolerances. This table of crimping values does not release the person/company assembling the hoses from carrying out the requisite individual tests on the hose and hose lines to comply with DIN and other standards.

Publication of the crimping dimensions table "version 09/2020" supersedes all previous versions!  
The latest version of this crimping dimensions table can always be found at [www.stauff.com/crimping\\_values](http://www.stauff.com/crimping_values)

Subject to technical modifications.  
Version: 09/2020



# Crimping Dimensions Table - STAUFF Hose Connectors

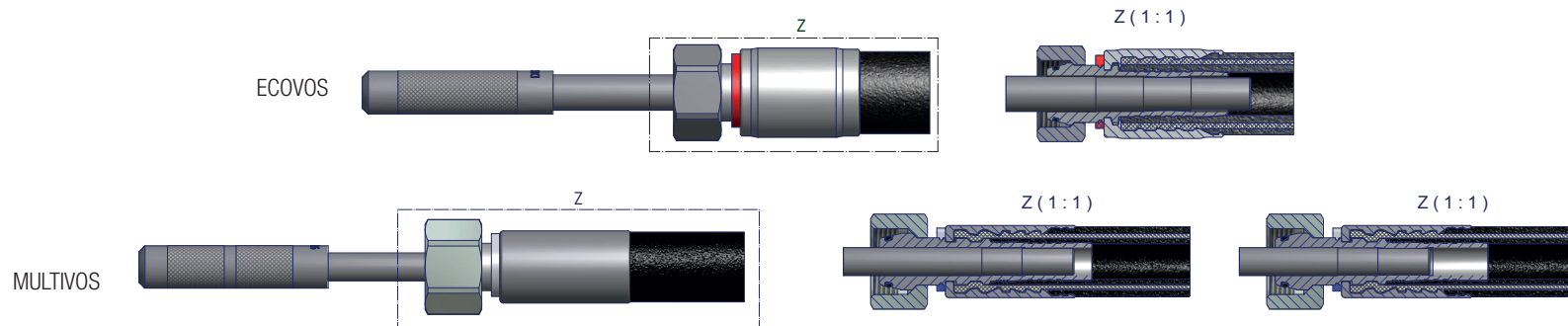


Hose Types for **Skive** Integration

## Spiral Hose Flexline 6000 (EN 856)

Hose Size			Connector Range	STAUFF Part Numbers	STAUFF Ordering Codes	Old Part Numbers	Outer Ø of Swage Ferrule mm	Recommended Crimping Dimension mm	Skive Length	
DN	inch	Dash							Outside mm	Inside mm
10	3/8"	06	ECOVOS	6100058569	HF-3000-10-W3	15031N10	26.0	<b>22.2</b>	28.0	
12	1/2"	08	ECOVOS	6100034501	HF-3000-12-W3	15031N12	30.0	<b>25.3</b>	28.0	
16	5/8"	10	ECOVOS	6100060748	HF-3000-16-W3	15031N16	33.6	<b>28.7</b>	29.0	
19	3/4"	12	MULTIVOS	6100060751	HF-6000-19-W3	15435N20	38.8	<b>33.8</b>	48.0	17.0
25	1"	16	MULTIVOS	6100060752	HF-6000-25-W3	15435N25	50.0	<b>43.4</b>	52.0	17.0

### Checking the operability of the crimped hose connectors for optimum reduction of the nipple diameter



The crimping values only apply to hoses within DIN tolerances and/or with comparable hose types within SAE tolerances. This table of crimping values does not release the person/company assembling the hoses from carrying out the requisite individual tests on the hose and hose lines to comply with DIN and other standards.

Publication of the crimping dimensions table "version 09/2020" supersedes all previous versions!  
The latest version of this crimping dimensions table can always be found at [www.stauff.com/crimping\\_values](http://www.stauff.com/crimping_values)

Subject to technical modifications.  
Version: 09/2020

# Crimping Dimensions Table - STAUFF Hose Connectors

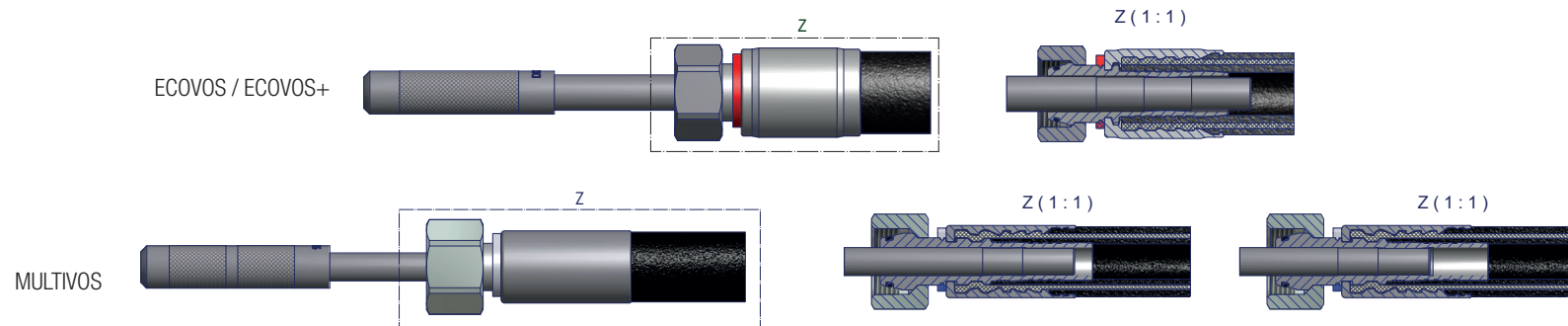


Hose Types for **Skive** Integration

## Spiral Hose 4SH (EN 856)

Hose Size			Connector Range	STAUFF Part Numbers	STAUFF Ordering Codes	Old Part Numbers	Outer Ø of Swage Ferrule mm	Recommended Crimping Dimension mm	Skive Length	
DN	inch	Dash							Outside mm	Inside mm
16	5/8"	10	ECOVOS+	6100095094	HF-5002-16-W3	15037N16	33.6	<b>29.3</b>	31.0	11.0
16	5/8"	10	MULTIVOS	6100095091	HF-5000-16-W3	15425N16	34.2	<b>30.5</b>	40	15
19	3/4"	12	MULTIVOS	6100060751	HF-6000-19-W3	15435N20	38.8	<b>34.0</b>	48.0	17.0
19	3/4"	12	ECOVOS	6100060749	HF-3000-19-W3	15031N20	39.0	<b>34.1</b>	37.0	
19	3/4"	12	ECOVOS+	6100095095	HF-5002-19-W3	15037N20	39.0	<b>34.5</b>	41.0	13.2
25	1"	16	MULTIVOS	6100060752	HF-6000-25-W3	15435N25	50.0	<b>43.5</b>	52.0	17.0
25	1"	16	ECOVOS	6100059977	HF-3000-25-W3	15031N25	46.0	<b>41.0</b>	44.0	
25	1"	16	ECOVOS+	6100095096	HF-5002-25-W3	15037N25	46.0	<b>41.9</b>	47.0	13.0
31	1 1/4"	20	MULTIVOS	6100095092	HF-5000-31-W3	15425N32	55.6	<b>50.0</b>	64.0	21.0
31	1 1/4"	20	ECOVOS	6100095083	HF-3000-31-W3	15031N32	57.0	<b>50.1</b>	49.0	
31	1 1/4"	20	ECOVOS+	6100095097	HF-5002-31-W3	15037N32	57.0	<b>51.0</b>	51.0	16.0
38	1 1/2"	24	MULTIVOS	6100095093	HF-5000-38-W3	15425N40	62.4	<b>57.1</b>	69.0	27.0
38	1 1/2"	24	ECOVOS+	6100095098	HF-5002-38-W3	15037N40	65.0	<b>59.2</b>	58.0	20.0
51	2"	32	MULTIVOS	6100060753	HF-5001-51-W3	15415N50	77.4	<b>71.9</b>	72.0	28.0
51	2"	32	ECOVOS+	6100095099	HF-5002-51-W3	15037N50	78.0	<b>73.5</b>	66.0	21.0

### Checking the operability of the crimped hose connectors for optimum reduction of the nipple diameter



The crimping values only apply to hoses within DIN tolerances and/or with comparable hose types within SAE tolerances. This table of crimping values does not release the person/company assembling the hoses from carrying out the requisite individual tests on the hose and hose lines to comply with DIN and other standards.

Publication of the crimping dimensions table "version 09/2020" supersedes all previous versions!  
The latest version of this crimping dimensions table can always be found at [www.stauff.com/crimping\\_values](http://www.stauff.com/crimping_values)

Subject to technical modifications.  
Version: 09/2020

# Crimping Dimensions Table - STAUFF Hose Connectors

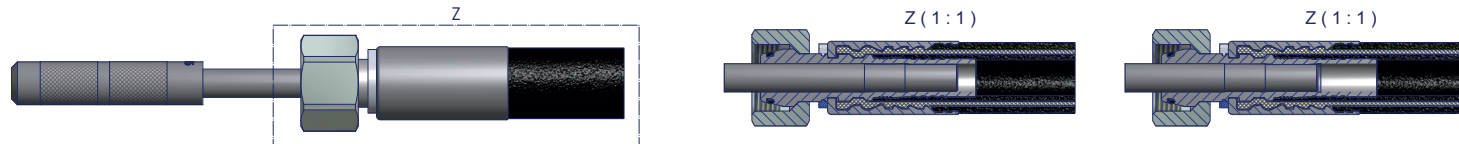


Hose Types for **Skive** Integration

## Spiral Hose R13 (SAE 100 R13)

Hose Size			Connector Range	STAUFF Part Numbers	STAUFF Ordering Codes	Old Part Numbers	Outer Ø of Swage Ferrule mm	Recommended Crimping Dimension mm	Skive Length	
DN	inch	Dash							Outside mm	Inside mm
51	2"	32	MULTIVOS	6100095103	HF-6001-51-W3	15445N50	82.5	<b>76.0</b>	72.0	28.0

### Checking the operability of the crimped hose connectors for optimum reduction of the nipple diameter



The crimping values only apply to hoses within DIN tolerances and/or with comparable hose types within SAE tolerances. This table of crimping values does not release the person/company assembling the hoses from carrying out the requisite individual tests on the hose and hose lines to comply with DIN and other standards.

Publication of the crimping dimensions table "version 09/2020" supersedes all previous versions!  
The latest version of this crimping dimensions table can always be found at [www.stauff.com/crimping\\_values](http://www.stauff.com/crimping_values)

Subject to technical modifications.  
Version: 09/2020

# Crimping Dimensions Table - STAUFF Hose Connectors

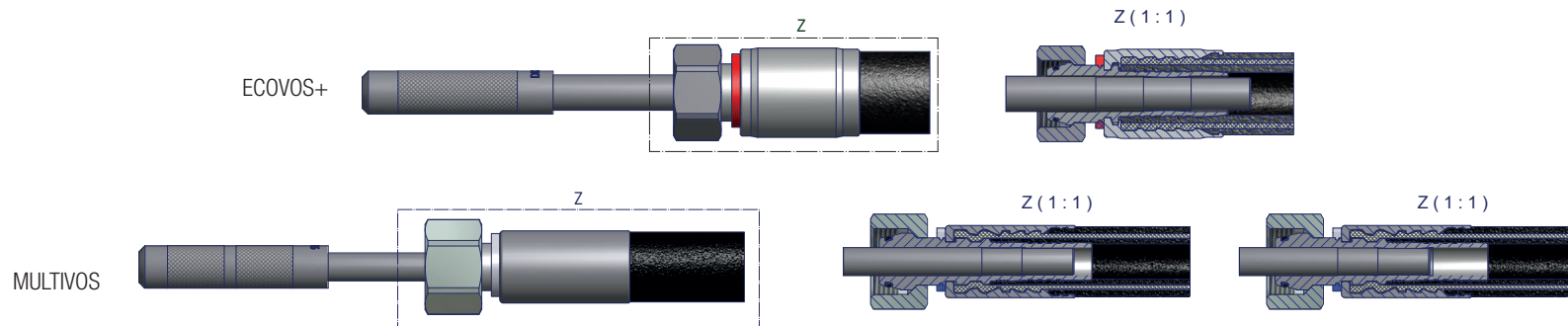


Hose Types for **Skive** Integration

## Spiral Hose R15 (SAE 100 R15)

Hose Size			Connector Range	STAUFF Part Numbers	STAUFF Ordering Codes	Old Part Numbers	Outer Ø of Swage Ferrule mm	Recommended Crimping Dimension mm	Skive Length	
DN	inch	Dash							Outside mm	Inside mm
19	3/4"	12	MULTIVOS	6100060751	HF-6000-19-W3	15435N20	38.8	<b>33.8</b>	48.0	17.0
19	3/4"	12	ECOVOS+	6100095094	HF-5002-19-W3	15037N20	39.0	<b>34.8</b>	41.0	13.2
25	1"	16	MULTIVOS	6100060752	HF-6000-25-W3	15435N25	50.0	<b>43.6</b>	52.0	17.0
25	1"	16	ECOVOS+	6100095095	HF-5002-25-W3	15037N25	46.0	<b>41.7</b>	47.0	13.0
31	1 1/4"	20	MULTIVOS	2012031986	HF-6001-31-W3	15445N32	61.4	<b>50.0</b>	64.0	21.0
38	1 1/2"	24	MULTIVOS	6100095100	HF-6000-38-W3	15435N40	69.5	<b>57.1</b>	69.0	27.0

### Checking the operability of the crimped hose connectors for optimum reduction of the nipple diameter



The crimping values only apply to hoses within DIN tolerances and/or with comparable hose types within SAE tolerances. This table of crimping values does not release the person/company assembling the hoses from carrying out the requisite individual tests on the hose and hose lines to comply with DIN and other standards.

Publication of the crimping dimensions table "version 09/2020" supersedes all previous versions!  
The latest version of this crimping dimensions table can always be found at [www.stauff.com/crimping\\_values](http://www.stauff.com/crimping_values)

Subject to technical modifications.  
Version: 09/2020